

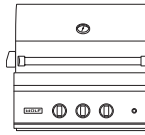


OUTDOOR GRILLS | MODULES
OUTDOOR ACCESSORIES

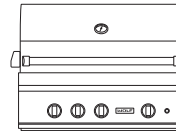
Outdoor Grills and Modules

Taste what happens when the heritage of professional cooking moves from the kitchen to the patio. Like their indoor counterparts, Wolf outdoor grills are precision instruments. Constructed of heavy-duty stainless steel, the 30", 36", 42", and 54" grills have powerful burners every five inches for even heat distribution. An electric rotisserie with infrared burner produces succulent poultry and roasts. All grill models can be built in and all except the 54" grill, can be used on a cart for portable convenience. The 25,000 Btu burner module can be built into an outdoor kitchen and the side burner attached to a cart. Wolf grills and modules can be ordered in natural or LP gas.

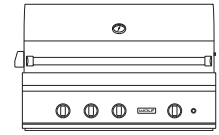
OUTDOOR GRILLS



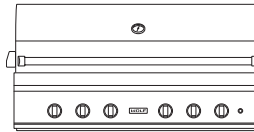
OG30



OG36



OG42



OG54

OUTDOOR MODULES



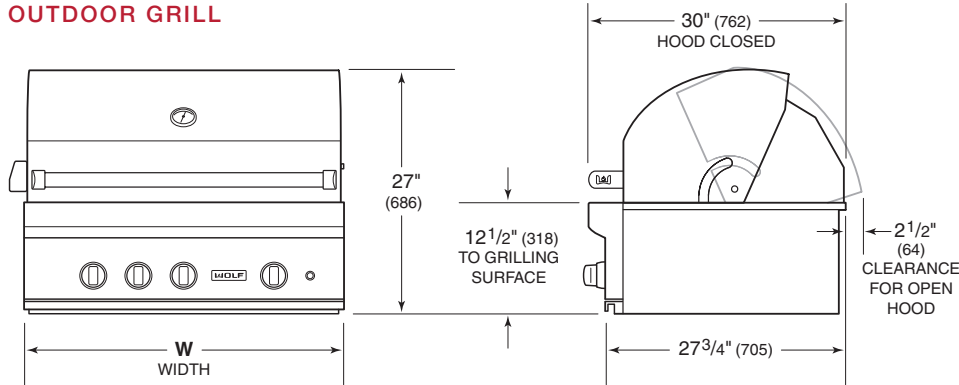
BM13
BURNER MODULE



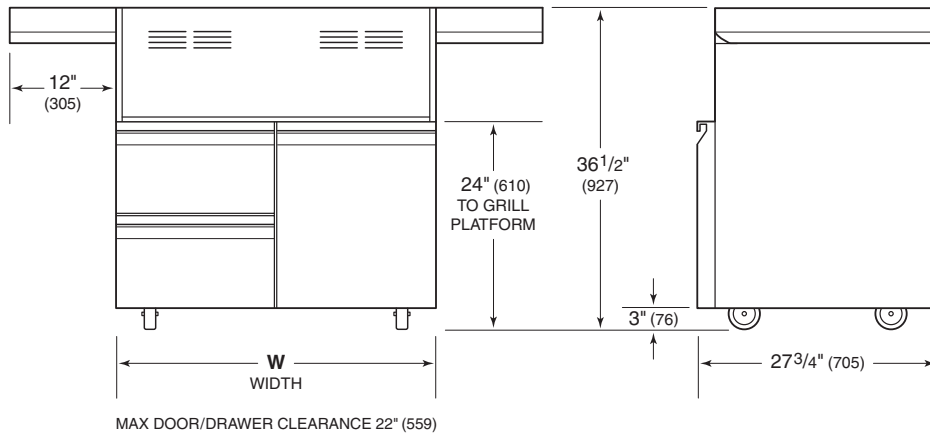
SB13
SIDE BURNER

Outdoor Grills and Modules

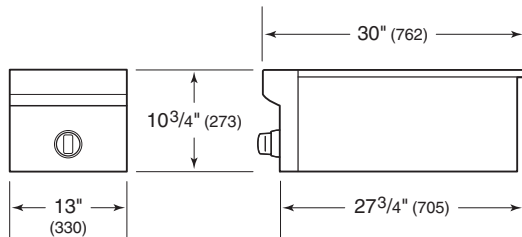
OUTDOOR GRILL



GRILL CART



BURNER MODULE / SIDE BURNER



OUTDOOR GRILL

| | W |
|------|------------|
| OG30 | 30" (762) |
| OG36 | 36" (914) |
| OG42 | 42" (1067) |
| OG54 | 54" (1372) |

GRILL CART

| | W |
|--------|------------|
| CART30 | 30" (762) |
| CART36 | 36" (914) |
| CART42 | 42" (1067) |

Outdoor Grills and Modules

BURNER RATING

| GRILL BURNERS | BTU (kW) |
|------------------------------|--------------|
| OG30, OG36, OG42, BM13, SB13 | 25,000 (7.3) |
| OG54 | 25,500 (7.5) |

| SEAR ZONE | BTU (kW) |
|------------|--------------|
| OG36, OG42 | 25,000 (7.3) |
| OG54 | 25,500 (7.5) |

| ROTISSERIE | BTU (kW) |
|------------|------------------|
| OG30 | 14,000 (4.1) |
| OG36, OG42 | 16,000 (4.7) |
| OG54 | (2) 14,000 (4.1) |

Planning Information

For portable applications, Wolf grill carts are designed specifically to fit grill models OG30, OG36, and OG42 and the side burner. Model OG54 is designed for built-in applications only.

For built-in applications, Wolf outdoor grills and the burner module are designed for easy placement into a built-in enclosure. For outdoor grills, installation in a combustible enclosure requires an insulating liner. For the burner module, an insulating liner is not required. The enclosure should be built according to specifications for your specific installation on the following pages. If the burner module is installed next to an outdoor grill, a minimum of 12" (305) is required between the units on the rotisserie motor side and 2" (51) on the opposite side. A rotisserie side conversion kit is available from an authorized Wolf dealer.

Optional stainless steel accessory doors and drawers are available for built-in applications.

Grill carts, insulating liners, and stainless steel doors and drawers are available through an authorized Wolf dealer. For local dealer information, visit the find a showroom section of our website, wolfappliance.com.

Planning Information

ELECTRICAL REQUIREMENTS

Installation must comply with all applicable electrical codes.

The electrical outlet must be located within reach of the power cord. A separate circuit servicing only this appliance is required. A ground fault circuit interrupter (GFCI) is required to reduce the risk of electrical shock.

ELECTRICAL REQUIREMENTS

| | |
|-------------------|------------------------------|
| Electrical Supply | grounded, 120 VAC, 60 Hz |
| Service | 15 amp dedicated circuit |
| Receptacle | 3-prong grounding-type, GFCI |
| Power Cord | 6' (1.8 m) |

GAS SUPPLY

Installation must comply with all applicable gas codes.

If local codes permit, a certified, 3' (.9 m) long, 1/2" (13) or 3/4" (19) ID flexible metal appliance connector is recommended.

If the outdoor grill is being connected to a whole house LP supply, the LP gas pressure regulator is not provided. It can be purchased from an authorized Wolf dealer. For local dealer information, visit the find a showroom section of our website, wolfappliance.com.

GAS REQUIREMENTS

| | |
|------------|-----------------|
| Gas Supply | 3/4" ID line |
| Gas Inlet | 1/2" NPT female |

NATURAL GAS

WC

| | |
|------------------------|---------------------------------|
| Supply Pressure | 5" (12.5 mb) |
| Min Line Pressure | 7" (17.5 mb) |
| Max Regulator Pressure | 14" (34.9 mb), .5 psi (3.5 kPa) |

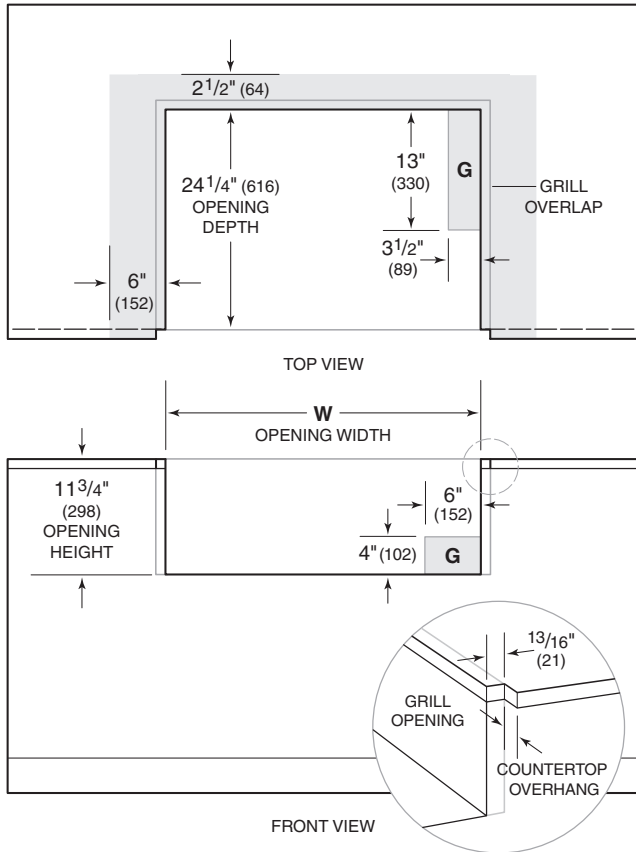
LP GAS

WC

| | |
|------------------------|---------------------------------|
| Supply Pressure | 10" (25 mb) |
| Min Line Pressure | 11" (27.4 mb) |
| Max Regulator Pressure | 14" (34.9 mb), .5 psi (3.5 kPa) |

Outdoor Grill

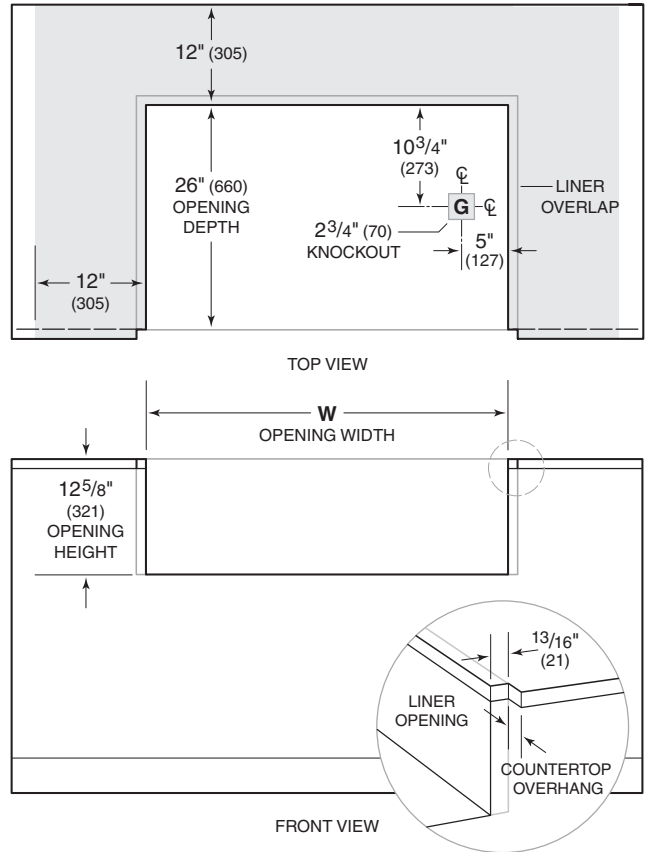
NON-COMBUSTIBLE INSTALLATION



NOTE: Shaded area above countertop indicates minimum clearance to combustible surfaces, combustible materials cannot be located within this area.

| NON-COMBUSTIBLE ENCLOSURE | W |
|---------------------------|----------------|
| OG30 | 28 1/2" (724) |
| OG36 | 34 1/2" (876) |
| OG42 | 40 1/2" (1029) |
| OG54 | 52 1/2" (1334) |

COMBUSTIBLE INSTALLATION



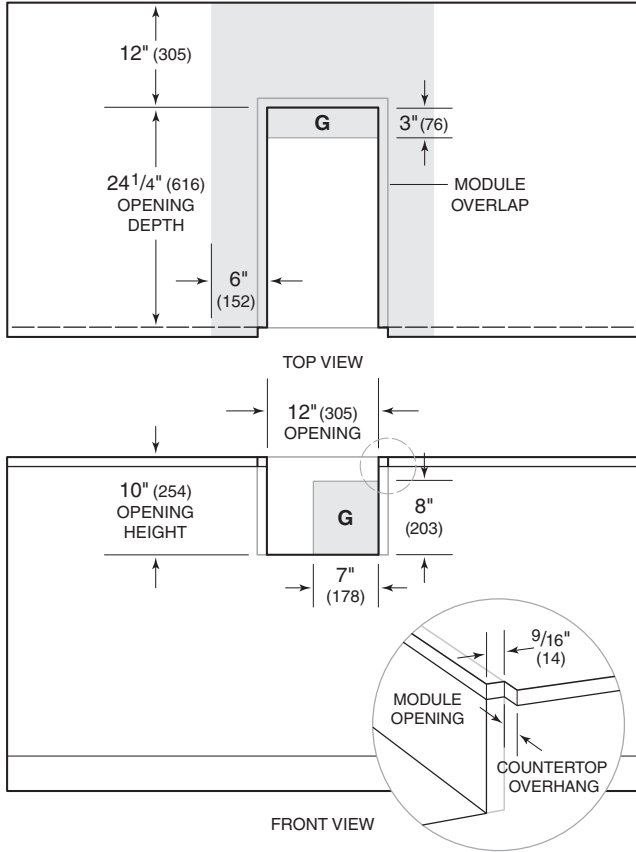
NOTE: Shaded area above countertop indicates minimum clearance to combustible surfaces, combustible materials cannot be located within this area.

| COMBUSTIBLE ENCLOSURE | W |
|-----------------------|----------------|
| OG30 | 33 1/2" (851) |
| OG36 | 39 1/2" (1003) |
| OG42 | 45 1/2" (1156) |
| OG54 | 57 1/2" (1461) |

For installation of the accessory doors and drawers, refer to Outdoor Accessories on the following pages.

Burner Module

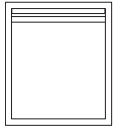
INSTALLATION



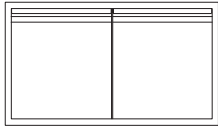
NOTE: Shaded area above countertop indicates minimum clearance to combustible surfaces, combustible materials cannot be located within this area. An insulating liner is not required.

Outdoor Accessories

ACCESS DOORS

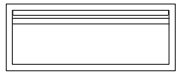


SINGLE

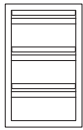


DOUBLE

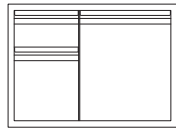
ACCESSORY DRAWERS/DOORS



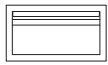
SINGLE DRAWER



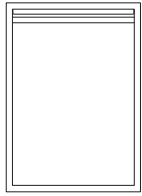
2- OR 3-DRAWER



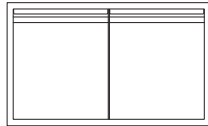
DOOR/DRAWER



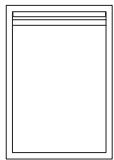
PAPER TOWEL DRAWER



TALL DRY STORAGE



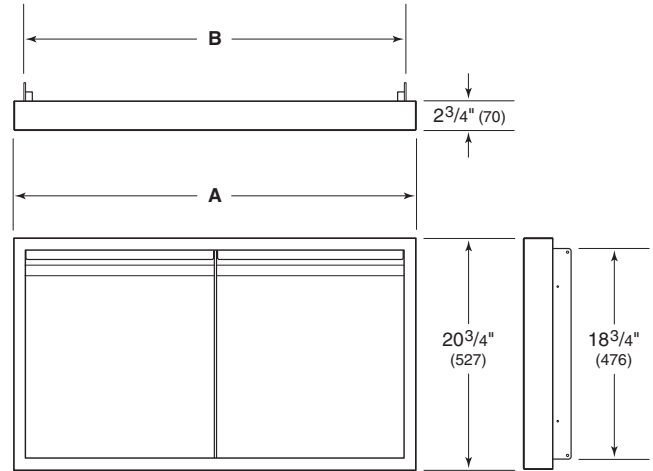
SHORT DRY STORAGE



TRASH/RECYCLE DRAWER

Overall Dimensions

ACCESS DOORS

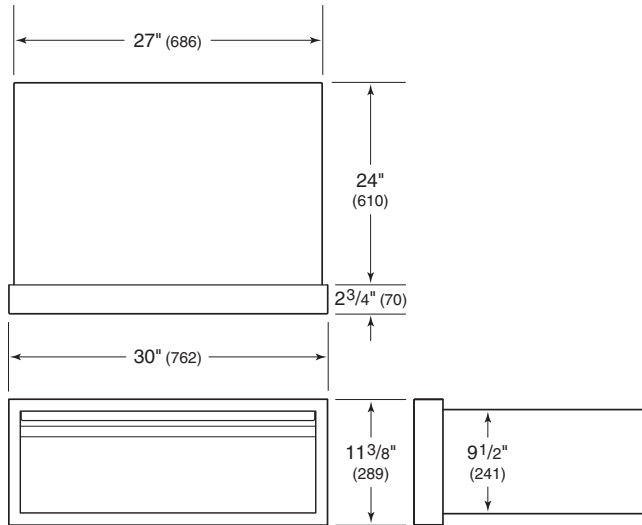


DOOR WIDTH

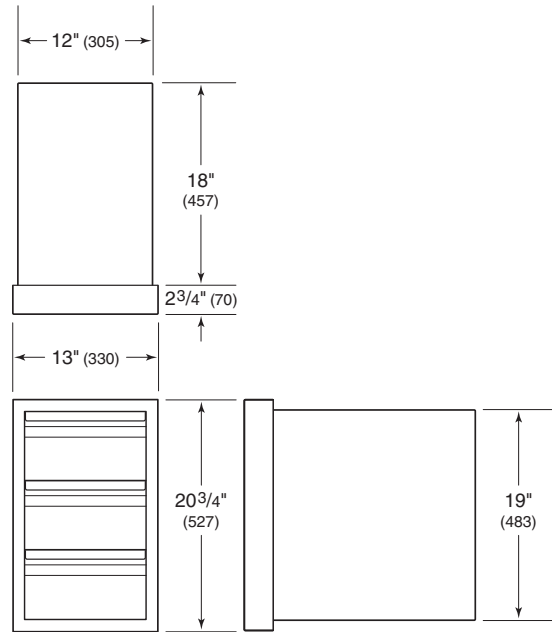
| | A | B |
|------------|------------|----------------|
| 18" Single | 18" (457) | 16 1/4" (413) |
| 30" Double | 30" (762) | 28 1/4" (718) |
| 36" Double | 36" (914) | 34 1/4" (870) |
| 42" Double | 42" (1067) | 40 1/4" (1022) |
| 54" Double | 54" (1372) | 52 1/4" (1327) |

Overall Dimensions

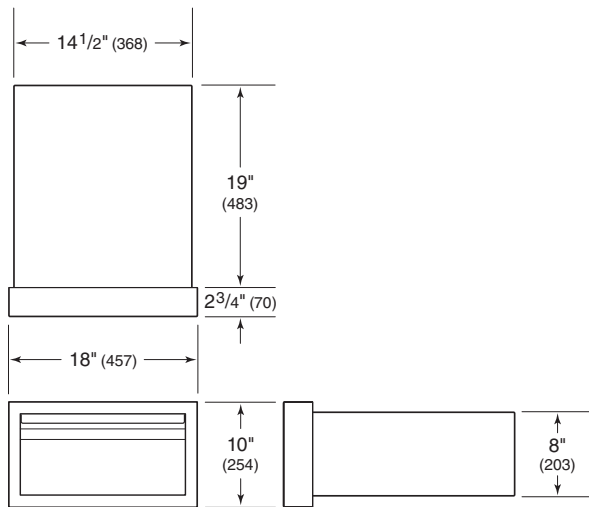
SINGLE DRAWER



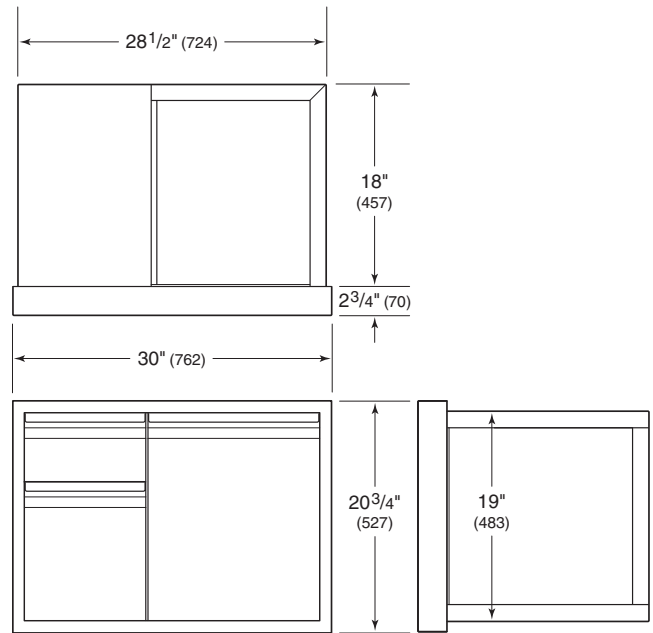
2- OR 3-DRAWER



PAPER TOWEL DRAWER



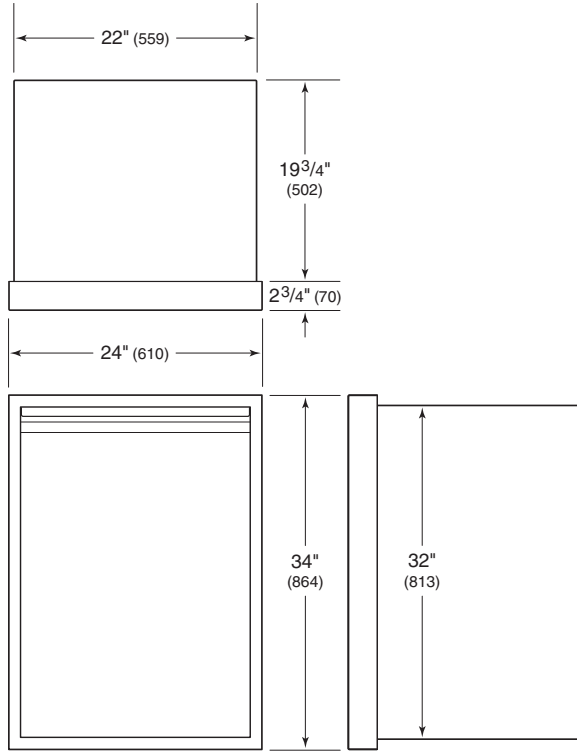
DRAWER/DOOR



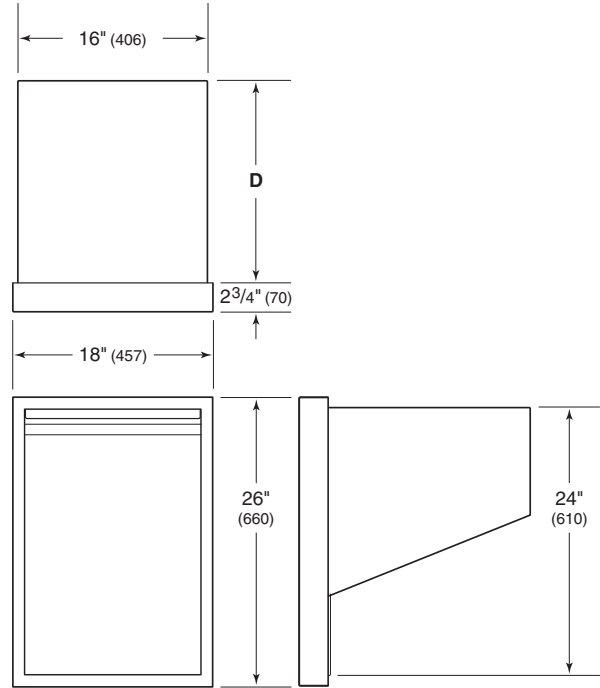
BUILT-IN OVENS
COOKTOPS | COFFEE
RANGES | RANGETOPS
OUTDOOR GRILLS
VENTILATION

Overall Dimensions

TALL DRY STORAGE

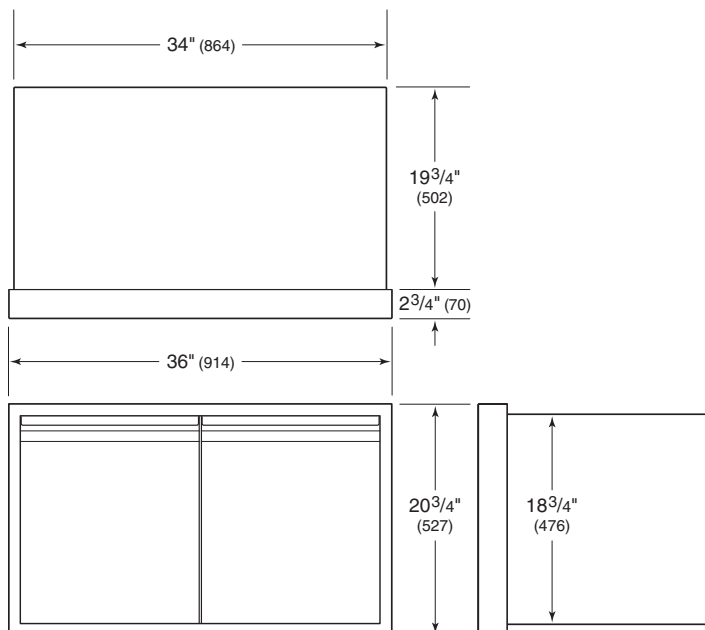


TRASH/RECYCLE DRAWER



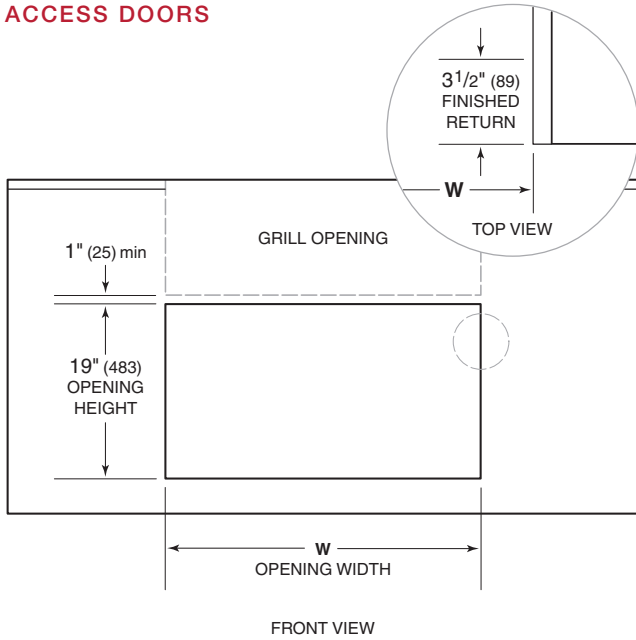
| DEPTH | D |
|--------|---------------|
| Single | 19 1/2" (495) |
| Double | 22 1/2" (572) |

SHORT DRY STORAGE



Installation

ACCESS DOORS



OPENING WIDTH

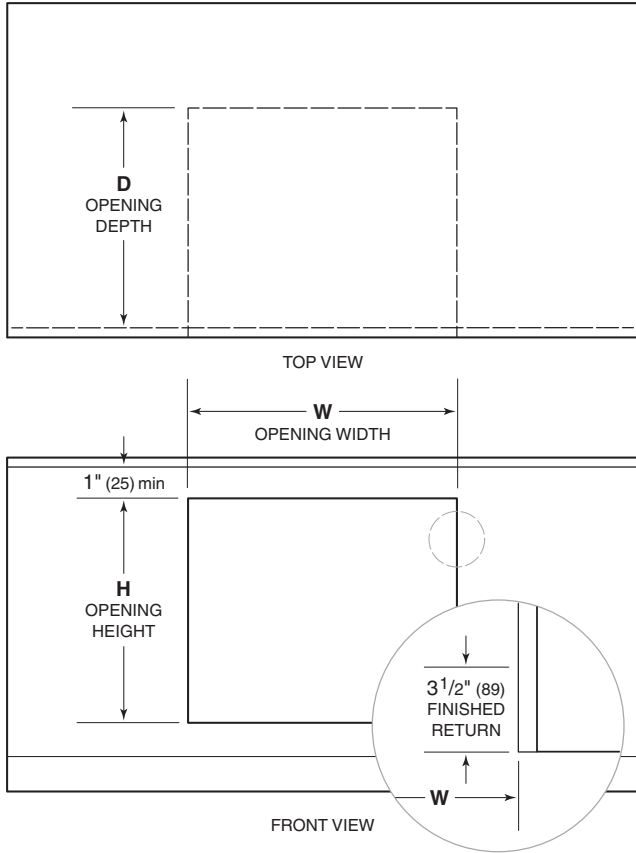
W

| | |
|------------|---|
| 18" Single | 16 ¹ / ₂ " (419) |
| 30" Double | 28 ¹ / ₂ " (724) |
| 36" Double | 34 ¹ / ₂ " (876) |
| 42" Double | 40 ¹ / ₂ " (1029) |
| 54" Double | 52 ¹ / ₂ " (1334) |

IMPORTANT NOTE: The opening dimensions provided are for a standard installation. For a flush installation, refer to the overall dimensions and adjust the opening dimensions accordingly.

Installation

ACCESSORY DRAWERS/DOORS



| OPENING | W | H | D |
|----------------------|--|--|--|
| Single Drawer | 27 ¹ / ₄ " (692) | 9 ³ / ₄ " (248) | 24 ¹ / ₄ " (616) |
| Paper Towel Drawer | 14 ³ / ₄ " (375) | 8 ¹ / ₄ " (210) | 19 ¹ / ₄ " (489) |
| 2- or 3-Drawer | 12 ¹ / ₄ " (311) | 19 ¹ / ₄ " (489) | 18 ¹ / ₄ " (464) |
| Drawer/Door | 28 ³ / ₄ " (730) | 19 ¹ / ₄ " (489) | 18 ¹ / ₄ " (464) |
| Tall Dry Storage | 22 ¹ / ₄ " (565) | 32 ¹ / ₄ " (819) | 20" (508) |
| Short Dry Storage | 34 ¹ / ₄ " (870) | 19" (483) | 20" (508) |
| Single Trash/Recycle | 16 ¹ / ₄ " (413) | 24 ¹ / ₄ " (616) | 19 ³ / ₄ " (502) |
| Double Trash/Recycle | 16 ¹ / ₄ " (413) | 24 ¹ / ₄ " (616) | 22 ³ / ₄ " (578) |

| BASE SUPPORT | MIN |
|----------------|-----------------|
| 2- or 3-Drawer | 150 lb (68 kg) |
| Drawer/Door | 150 lb (68 kg) |
| Dry Storage | 300 lb (136 kg) |