

GR486C



FEATURES

Control temperature precisely with six dual-stacked, sealed gas burners for higher highs, lower lows

Rely on a 16,000 Btu infrared charbroiler for more succulent steaks, chops, and burgers

Enjoy quicker heat and more even cooking with this large capacity gas convection oven

Multi-task with an additional 18" oven.

Clean up splashes and spills easily with the seamless, sealed, black porcelain-coated burner pans

Produce crisper crusts and faster sears with the powerful infrared interior broiler

Re-ignites flame automatically with our spark ignition system for improved temperature control and added safety

Move pots and pans easily across continuous cast-iron grates

Find your kitchen style with a choice of iconic red, black, or brushed stainless control knobs

ACCESSORIES

18" Full-Extension Oven Rack

2-Burner Wok Grate

2-Burner Wok Grate

Bake Stone Kit

Filler Trim

Front Leg Covers

Full-Extension Ball Bearing Rack

Stainless Steel Kickplate

Brushed stainless, brass or chrome bezels

High altitude conversion kits available

Signature red, black or brushed stainless control knobs

5" and 10" stainless steel risers, and 20" riser with shelf

Accessories available through an authorized dealer.

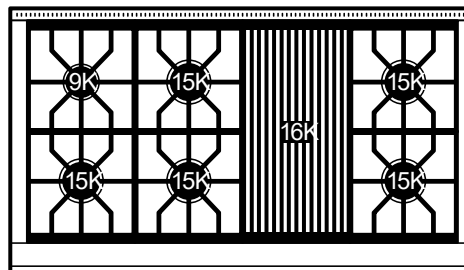
For local dealer information, visit subzero-wolf.com/locator.



KNOB OPTIONS



TOP CONFIGURATION



RANGETOP SPECIFICATIONS

- 1 - 9,200 Btu burner
- 5 - 15,000 Btu burners
- 1 - 16,000 Btu charbroiler

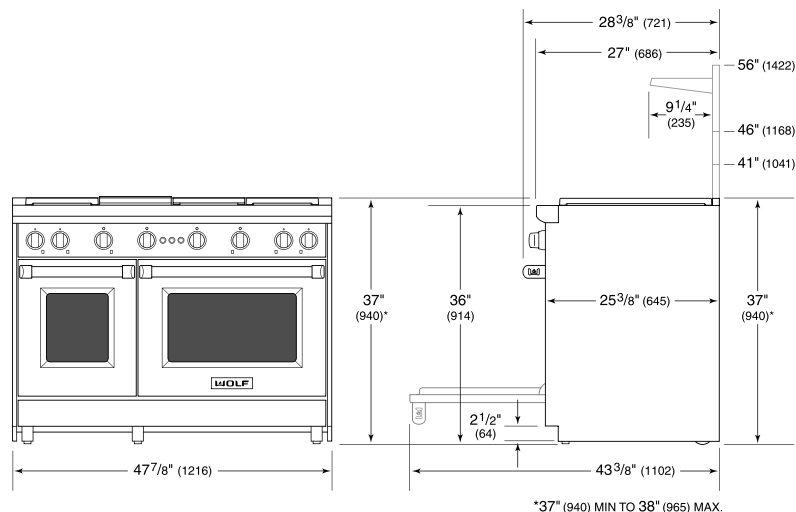
OVEN INTERIOR SPECIFICATIONS

- 30,000 Btu oven burner
- 18,000 Btu oven broiler

PRODUCT SPECIFICATIONS

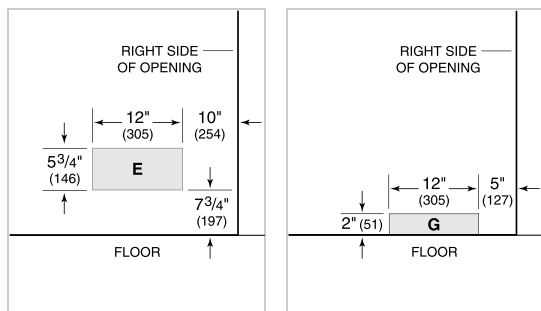
Model	GR486C
Dimensions	47 7/8"W x 37"H x 28 3/8"D
Oven 1 Interior Dimensions	13 1/2"W x 18 5/8"H x 17"D
Oven 2 Interior Dimensions	24"W x 18 5/8"H x 17"D
Oven 1 Usable Capacity	1.6 cu. ft.
Oven 1 Overall Capacity	2.5 cu. ft.
Oven 2 Usable Capacity	2.9 cu. ft.
Oven 2 Overall Capacity	4.4 cu. ft.
Door Clearance	19 1/2"
Electrical Supply	110/120 VAC, 50/60 Hz
Electrical Service	15 amp dedicated circuit
Gas Supply	3/4" ID line
Gas Inlet	1/2" NPT female
Receptacle	3-prong grounding-type

DIMENSIONS



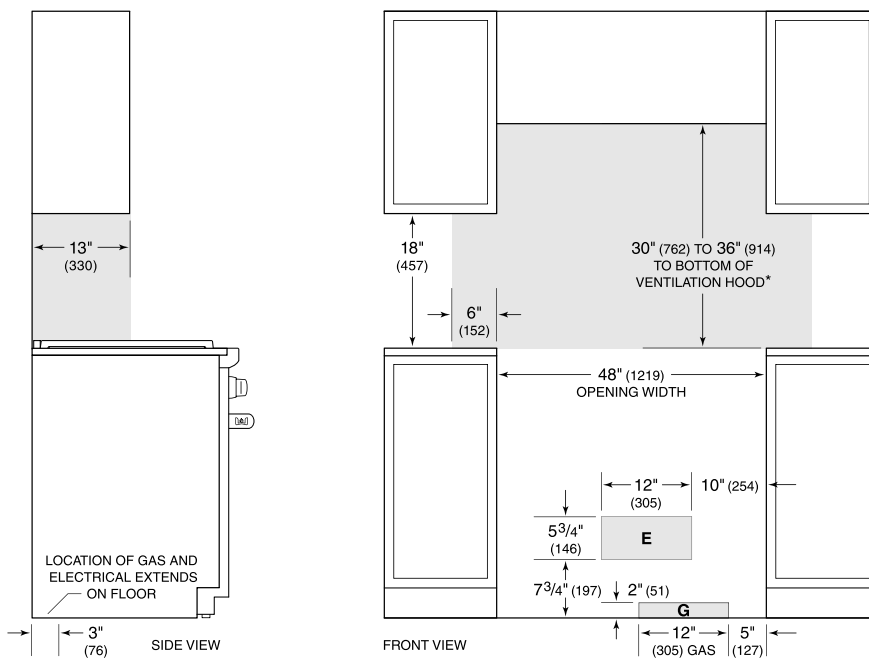
ELECTRICAL

GAS



NOTE: Dimensions in parenthesis are in millimeters unless otherwise specified

STANDARD INSTALLATION



*Without ventilation hood, 42" (1067) minimum clearance countertop to combustible materials, charbroiler and GR488 require non-combustible materials.

NOTE: Shaded area above countertop indicates minimum clearance to combustible surfaces, combustible materials cannot be located within this area.

For island installation, 12" (305) minimum clearance back of range to combustible rear wall above countertop.