



Designer Series Refrigeration

Use and Care Guide

CLEANING, MAINTENANCE,
AND MORE



Contents

3	Designer Series Refrigeration
4	Safety Precautions
6	Designer Series Features
8	Interactive Controls
9	Storage
14	Operation
18	Care Recommendations
19	Water Filtration System Data
20	Troubleshooting
22	Sub-Zero Warranty

Customer Care

The model and serial number are printed on the enclosed product registration card. Both numbers are also listed on the product rating plate. Refer to page 7 for rating plate location. For warranty purposes, you will also need the date of installation and name of your authorized Sub-Zero dealer. Record this information below for future reference.

SERVICE INFORMATION

Model Number

Serial Number

Date of Installation

Certified Service Name

Certified Service Number

Authorized Dealer

Dealer Number

If your product ever needs attention, be sure to use a Sub-Zero Factory Certified Service provider recommended by our Customer Care Center, or select one from our list of providers available at subzero.com/locator. All Factory Certified Service providers are carefully selected and thoroughly trained by us.

Important Note

To ensure this product is installed and operated as safely and efficiently as possible, take note of the following types of highlighted information throughout this guide:

IMPORTANT NOTE highlights information that is especially important.

CAUTION indicates a situation where minor injury or product damage may occur if instructions are not followed.

WARNING states a hazard that may cause serious injury or death if precautions are not followed.

IMPORTANT NOTE: Throughout this guide, dimensions in parentheses are millimeters unless otherwise specified.

IMPORTANT INSTRUCTIONS

▲ WARNING

Do not store explosive substances such as aerosol cans with a flammable propellant in this appliance.

▲ WARNING

Keep ventilation openings, in the appliance enclosure or in the built-in structure, clear of obstruction.

▲ WARNING

Do not use mechanical devices or other means to accelerate the defrosting process, other than those recommended by the manufacturer.

▲ WARNING

Do not expose this appliance to rain.

▲ WARNING

This appliance contains flammable refrigerant and must be handled, installed, serviced, and decommissioned by authorized personnel. Once decommissioned, consult local authorities for disposal instructions.

▲ WARNING



This symbol indicates risk of fire/flammable materials.

▲ WARNING

This appliance is only intended for residential use.

▲ CAUTION

Incorporated ice makers must be installed by the manufacturer or its service agent.

▲ WARNING

Do not damage the refrigerant circuit.

▲ WARNING

Do not use electrical appliances inside the food storage compartments of the appliance, unless they are of the type recommended by the manufacturer.

▲ WARNING

This appliance is not intended for use by persons (including children) with reduced physical, sensory or mental capabilities, or lack of experience and knowledge, unless they have been given supervision or instruction concerning use of the appliance by a person responsible for their safety. Children should be supervised to ensure they do not play with the appliance.

IMPORTANT INSTRUCTIONS

▲ WARNING

DANGER: Risk of child entrapment. Before you throw away your old refrigerator or freezer:

- Take off the doors.
- Leave the shelves and drawer dividers in place so that children may not easily climb inside.

▲ WARNING

PROPOSITION 65 FOR CALIFORNIA RESIDENTS

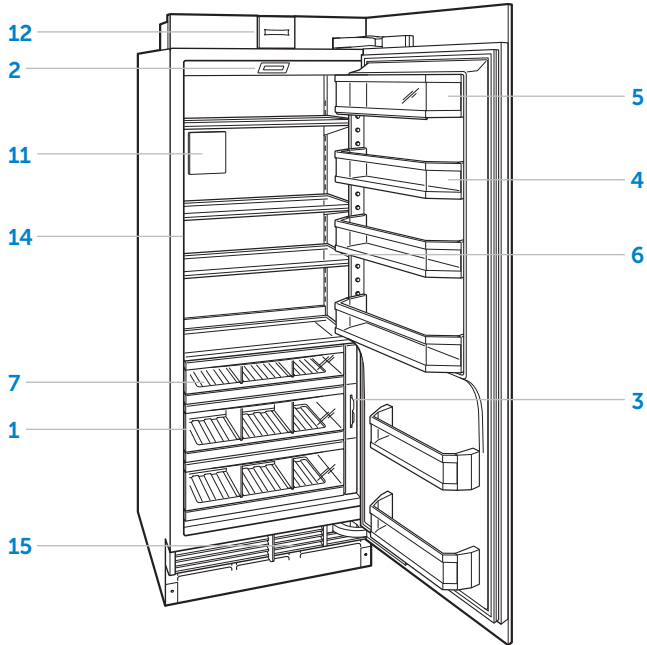
**Cancer and Reproductive Harm—
www.P65Warnings.ca.gov**

Designer Series Features

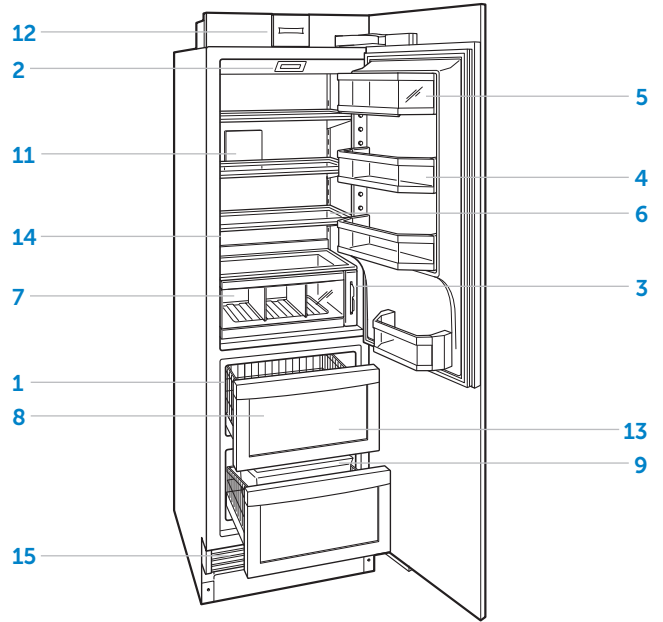
FEATURES

1	Product Rating Plate
2	Interactive Control Panel
3	Freshness Cards
4	Door Shelves
5	Dairy Compartment
6	Glass Shelves
7	Refrigerator Drawer
8	Freezer Basket
9	Ice Container
10	Storage Drawers
11	Air Purification System
12	Water Filtration System
13	Automatic Ice Maker (ice maker models)
14	Water Dispenser (dispenser models)
15	Condenser (behind grille)

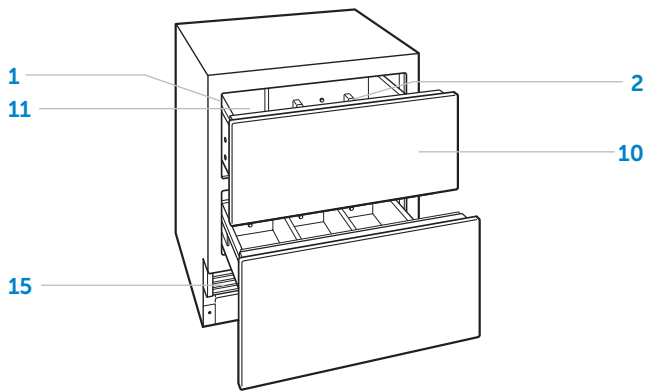
Designer Series Features



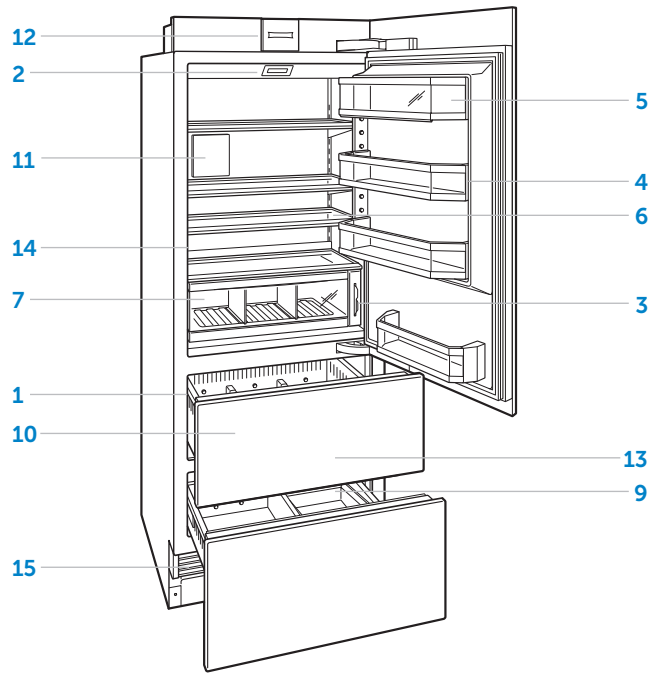
Column all refrigerator



Column combination



Drawer all refrigerator



Tall combination


Interactive Control Panel

For initial start-up, touch and hold "power" on the control panel for 2 seconds.

Temperatures can be adjusted in one-degree increments on the home screen. Combination units have separate temperature controls for refrigerator and freezer. Temperatures are preset at 38°F (3°C) and 0°F (-18°C).

To adjust temperature:

- 1 Touch the temperature to be adjusted.
- 2 Touch + or – until the desired temperature is displayed. Refer to the illustration below.

Once the temperature has been adjusted, additional features can be activated or deactivated from the options screen. Touch  to view the options screen. Refer to the illustration below.








Home screen














Options screen

OPTIONS SCREEN

-  Touch to activate or deactivate the ice maker system and max ice feature.
-  Touch to activate or deactivate the door/drawer alarm.
-  Touch to activate or deactivate the water dispenser.
-  Touch to activate or deactivate the air purification system.
-  Touch to view the settings screen.

SETTINGS SCREEN

-  Touch to view model information.
-  Touch to select temperature unit, Fahrenheit or Celsius.
-  Touch to adjust control panel brightness and contrast.
-  Touch to adjust door/drawer alarm volume and pitch.
-  Touch to adjust door/drawer alarm duration.
-  Touch to enter Sabbath mode.
-  Touch to view troubleshooting and service information.
-  Touch to set the clock.
-  Touch to enable or disable connect.
-  Touch to select language options.
-  Touch to adjust soft on lighting.

Keeping Food At Its Best

DUAL REFRIGERATION®

This Sub-Zero features a unique Dual Refrigeration® system to keep food fresher longer.

With the Sub-Zero Dual Refrigeration® system, individual refrigerator and freezer systems have been designed to maintain accurate, consistent temperatures and proper humidity levels for longer food life expectancy. Dual Refrigeration® eliminates transfer of fresh food odors to frozen food and ice and does not freeze the moisture out of the air in the fresh food section.

For handy tips and information on how to maximize food freshness, refer to the freshness cards stored in the refrigerator.

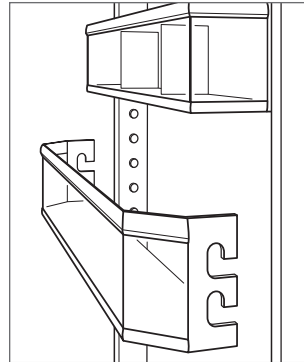
Refrigerator Storage

DOOR SHELVES

To reposition a door shelf or dairy compartment:

- 1 To remove, lift the shelf from the bottom and slide out. Refer to the illustration below.
- 2 To reinstall, place in the desired position and slide the shelf down onto the guides.

IMPORTANT NOTE: If the door opening is limited to 90°, door shelves may need to be removed before removing a storage drawer or glass shelf.



Door shelf removal

Refrigerator Storage

GLASS SHELVES

To reposition a glass shelf:

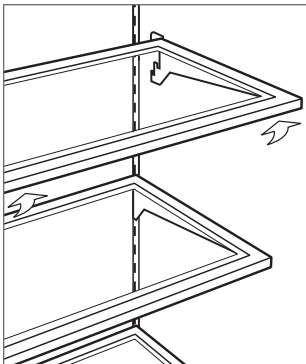
- 1 To remove, tilt the shelf up, then lift up and out. Refer to the illustration below.
- 2 To reinstall, insert the shelf in the tracks along the back wall, then lower the front until it locks into position.

The stationary glass shelf at the bottom of the compartment should be placed with the beveled edge facing front. Rear support legs space the shelf away from the back wall to ensure proper air flow through the unit.

IMPORTANT NOTE: Use care when handling glass shelves to prevent breakage or scratching the interior.

⚠ CAUTION

Glass shelves should warm to room temperature before immersing in warm water.



Glass shelf removal

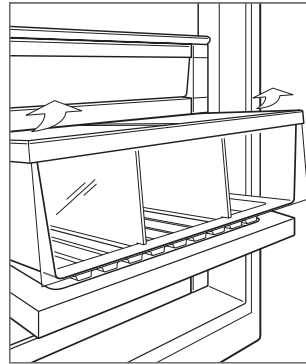
REFRIGERATOR DRAWERS

To remove/reinstall a refrigerator drawer:

- 1 To remove, pull the drawer open until it stops. Lift the front of the drawer slightly and pull straight out. Refer to the illustration below.
- 2 To reinstall, pull the drawer carrier out and align the bottom of the drawer with the carrier. Slide the drawer back into position.

To reposition a refrigerator drawer divider:

- 1 To remove, pull the divider straight up.
- 2 To reinstall, align tabs on the divider with notches in the drawer and push down.



Refrigerator drawer removal

Storage Drawers

CRISPER COVER

The crisper cover in the upper storage drawer can be slid closed, left open, or removed.

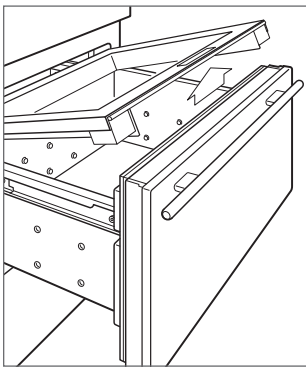
To remove the crisper cover:

- 1 Pull the upper storage drawer all the way out.
- 2 Raise the front edge of the crisper cover and pull it forward and out of the drawer. Refer to the illustration below.

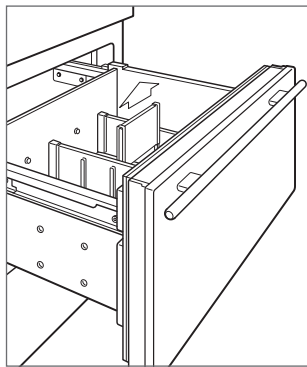
DRAWER DIVIDERS

To reposition a drawer divider:

- 1 To remove a short divider, flex the long divider slightly, then pull upward. Refer to the illustration below.
- 2 For 36" wide drawer models only, one long divider is adjustable. To remove a long divider, all short dividers must be removed. Pull the long divider up until it stops, rotate counterclockwise, then pull upward.
- 3 To reinstall a long divider, align the grooves with the drawer tabs, rotate clockwise, then slide down.
- 4 To reinstall a short divider, position as desired, then slide down.



Crisper cover



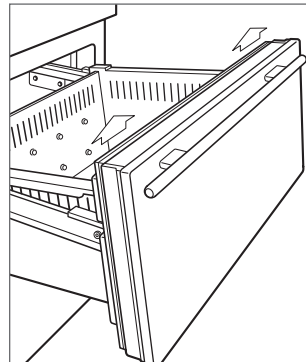
Drawer dividers

DRAWER REMOVAL

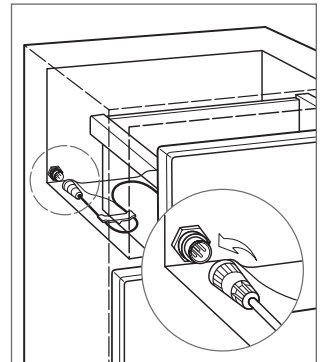
To remove/reinstall a storage drawer:

- 1 To remove, pull the drawer open until it stops. Raise the front of the drawer slightly and pull straight out. Refer to the illustration below.
- 2 To reinstall, raise the front of drawer and place onto the slides. Align the back of the drawer with hooks on the slide, then align the white pegs at the front of the slide with holes at the front of the drawer.

IMPORTANT NOTE: For drawer models, the upper drawer has a control cable that must be disconnected before removing the drawer. Refer to the illustration below.



Drawer removal



Control cable (drawers)

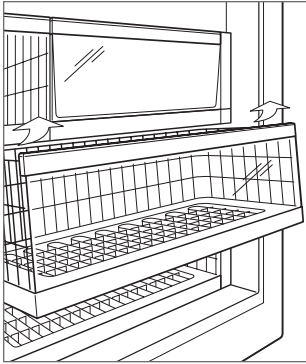
Freezer Storage

FREEZER BASKETS

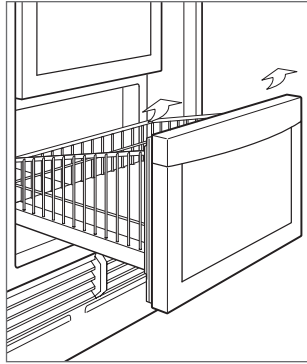
To remove a freezer basket:

- 1 Pull the basket open until it stops.
- 2 Pull the two plastic tabs located behind the bottom two corners of the basket forward, then lift up and out. Refer to the illustrations below.

If the door opening is limited to 90°, the top basket must be removed before removing the middle or lower basket.



Column freezer basket



Column combination freezer basket

To reinstall a freezer basket (column model):


- 1 Push the basket slides in.
- 2 Align the basket with the slides and push back until it stops.
- 3 Press down on the front of the basket to engage the slides.

To reinstall a freezer basket (column combination model):

- 1 Fully extend the basket slides.
- 2 Align the basket with the slides and push back until the rear of the basket contacts the slide tabs.
- 3 Push back and down on the front of the basket to engage the tabs.

Freezer Storage

ICE CONTAINER

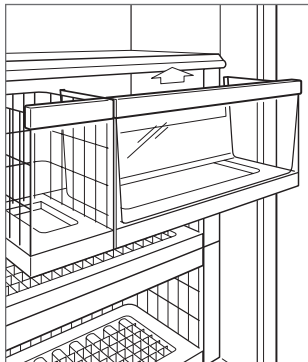
The ice maker must be turned off by touching  when the ice storage container is removed. The unit is equipped with a 3-minute delay after the ice container is removed, to ensure cubes are not ejected before the ice maker can be deactivated or the ice container is reinstalled.

To remove the ice container (column model):

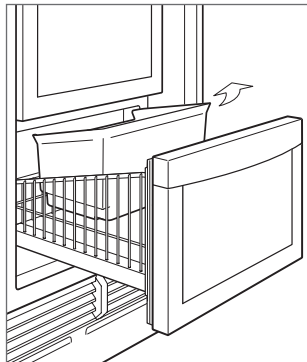
- 1 Pull the freezer basket open until it stops.
- 2 Lift the container out. Refer to the illustration below.

To remove the ice container (column combination model):

- 1 Pull the freezer basket open until it stops.
- 2 Slightly angle the container to lift out. Refer to the illustration below.



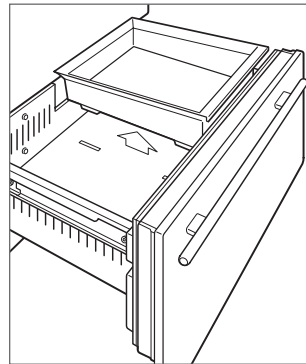
Column ice container



Column combination ice container

To remove the ice container (tall and drawer models):

- 1 Pull the freezer basket open until it stops.
- 2 Lift the container out. Refer to the illustration below.



Tall and drawer ice container

Air Purification System

Many fresh foods emit ethylene gas, a naturally-occurring compound that hastens food ripening and spoilage. If your unit is equipped with an air purification system, the cartridge has been factory installed and is located on the back wall of the refrigerator (back of the upper drawer for drawer models).

To initiate air purification, touch  on the options screen.

⚠ CAUTION

The air purification system complies with applicable Federal requirements regarding incidental exposure to ultraviolet light. Lamp contains mercury. Manage in accordance with disposal laws. Visit earth911.com or call 800-222-7820.

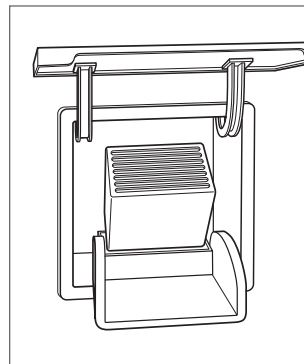
AIR PURIFICATION CARTRIDGE

The air purification cartridge will last approximately one year. "Change Air Purifier" will appear on the control panel when the cartridge needs to be replaced. Touch "Snooze" to delay the reminder for 24 hours or until the cartridge can be replaced.

Replacement Sub-Zero air purification cartridges can be ordered online at subzero.com/store. For questions, contact Sub-Zero Customer Care at 800-222-7820.

To replace the air purification cartridge:

- 1 To access the air purification cartridge, grasp the outside cover from the bottom and rotate upward. Refer to the illustration below.
- 2 Grasp the black cover from the top and rotate downward. The cartridge will pop out and can be removed.
- 3 Remove the new cartridge from packaging and insert with the connector pointing downward.
- 4 Once in position, close the black cover. Then rotate the outside cover downward.
- 5 Once the cartridge has been replaced, follow instructions on the control panel. The cartridge life cycle will reset for approximately one year.



Air purification cartridge

Water Filtration System

The water filtration system supplies filtered water to the ice maker and water dispenser (dispenser models) to produce great-tasting water and ice.

IMPORTANT NOTE: When using the water filtration system for the first time and after filter replacement, it is necessary to clear any air from the system and allow the filter to assist in cleaning the water lines. For non-dispenser models, discard the first two full containers of ice. For dispenser models, dispense several glasses of water for a period of two minutes.

If the water filtration system will not be used, it can be placed in water filter bypass mode by removing the filter.

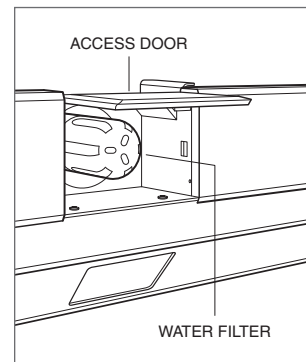
WATER FILTER

The water filter is rated for 750 gallons (2839 L) or one year, whichever comes first. "Change Water Filter" will appear on the control panel when the filter needs to be replaced. Touch "Snooze" to delay reminder for 24 hours or until filter can be replaced.

Replacement Sub-Zero water filters can be ordered online at subzero.com/store. For questions, contact Sub-Zero Customer Care at 800-222-7820.

To replace the water filter:



- 1 To access the water filter, pull out on the bottom edge of the access door and rotate upward. Refer to the illustration below.
- 2 To remove the old filter, rotate counterclockwise one-quarter turn, then pull out. It is normal for a small amount of water to drip when the filter is removed. It should be wiped up with a paper towel or cloth.
- 3 Remove the new filter from packaging and remove the plastic cap.
- 4 Insert the new filter into the manifold and turn clockwise.
- 5 Once the new filter has been installed, follow instructions on the control panel. The filter life cycle will reset for approximately one year.



Water filter

Ice Maker

To operate the ice maker:

- 1 To activate the ice maker, touch  on the options screen. A single highlighted cube indicates the ice maker is active. Three highlighted cubes indicate the max ice feature is active.
- 2 To deactivate the ice maker, touch  until no cubes are highlighted.

After initial start-up, discard the first few batches of ice. The ice may contain impurities from new plumbing connections.

Max ice increases ice production up to 30% for a 24-hour period. During that period, some components may run at a higher speed resulting in a unique audible tone. This is typical and will revert back after 24 hours or when the ice container is full.

If ice is not used regularly it may fuse together. To avoid, discard the ice and allow the ice maker to replenish.

Deactivate the ice maker if the ice container is removed for an extended period. The unit is equipped with a 3-minute delay after the ice container has been removed, to ensure cubes are not ejected before the ice maker is deactivated or the ice container is reinstalled.

Water Dispenser

The water dispenser is located inside the refrigerator on the left wall. Refer to the illustration below.

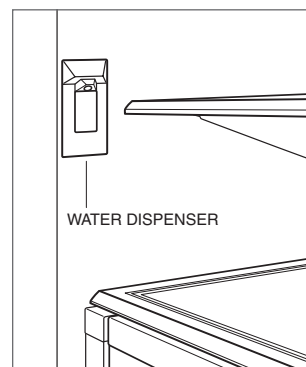
To dispense water:

- 1 Press a glass against the dispenser to activate the flow of water.
- 2 The flow of water will stop when the glass is pulled away.

The chilled water reservoir tank holds approximately 32 oz (1 L) of filtered water. It may take several hours to chill the water to refrigerator temperature during the original fill and after a large amount of water is dispensed.

To fill the water tank:

- 1 Press a glass against the dispenser until water begins to flow. A safety feature is incorporated into the dispenser to limit continuous water flow to 60 seconds.
- 2 If water does not dispense within 60 seconds, remove the glass, then reapply to the dispenser until water begins to flow.
- 3 Once the tank is full, discard the first few glasses of water. It may contain impurities from new plumbing connections.




Water dispenser

Sabbath

This appliance is certified by Star-K to meet strict religious regulations in conjunction with specific instructions found on www.star-k.org.

To initiate Sabbath mode:

- 1 From the settings screen, touch .
- 2 Follow instructions on the control panel.

Connect This Appliance

Connect this appliance to remotely monitor and control it. Connecting requires a wireless router, an Internet connection with a network name and password, and a compatible mobile device. There is no limit to the number of appliances you can connect to an account. Connect products from multiple homes to the same account. Connecting appliances is optional.

- 1 Download the free Sub-Zero Group Owner's App from the Apple App Store or Google Play.
- 2 With Bluetooth enabled on the device, stand within a few feet of the appliance, open the app, and follow the on-screen instructions.
- 3 Log in or create an account.
- 4 Tap Add An Appliance or tap + in upper right of the screen to add appliances. To identify which appliance to pair, open the appliance door.
- 5 Tap + next to the appliance to select it. If identical appliances appear, an additional step identifies which appliance to pair.
- 6 Tap Pair Via Bluetooth. Wait for setup to complete, then tap Set Up Your Appliance For Pairing.
- 7 Tap Choose a Network on the Connect Your Appliance to Wi-Fi screen.
- 8 Select the home Wi-Fi network and enter the network password.
- 9 Tap Turn on Notifications to allow notifications about the appliance (for example, door left ajar).
- 10 Tap Done on the Success screen to complete the setup.

Cleaning

STAINLESS STEEL EXTERIOR

Use a nonabrasive stainless steel cleaner and apply with a soft lint-free cloth. To bring out the natural luster, lightly wipe the surface with a water-dampened microfiber cloth followed by a dry polishing chamois. Always follow the grain of stainless steel.

INTERIOR CLEANING

To clean interior surfaces and all removable parts, wash with a mild solution of soap, water, and baking soda. Rinse and dry thoroughly. Avoid getting water on the lights and control panel.

⚠ CAUTION

Do not use vinegar, rubbing alcohol, or other alcohol-based cleaners on any interior surface.

VACATIONS

For extended vacations, turn power off at the control panel. Empty the unit and block doors open slightly to let fresh air in and keep the interior dry. The water filter should be replaced before start-up.

CONDENSER CLEANING

⚠ CAUTION

Before cleaning the condenser, turn power off at the control panel. Wear gloves to avoid injury from sharp condenser fins.

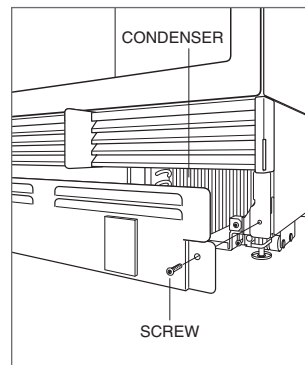
The condenser is located behind the kickplate. Clean the condenser every 6–12 months.

To clean the condenser:

- 1 Turn power off at the control panel.
- 2 Remove the kickplate by extracting the two mounting screws. Refer to the illustration below.
- 3 Use a soft bristle brush and vacuum to remove dust and lint from the condenser. To avoid damaging condenser fins, vacuum in the direction of the fins.

⚠ CAUTION

Failure to clean the condenser could result in temperature loss, mechanical failure, or damage.



Condenser location

Sub-Zero Water Filtration System

REPLACEMENT CARTRIDGE (4204490)



Tested and certified by NSF International against NSF/ANSI Standard 42 for the reduction of Chlorine Taste & Odor, Particulate Class I; and against NSF/ANSI Standard 53 for the reduction of Lead, Mercury, Atrazine, Benzene, Carbofuran, 1,4-dichlorobenzene, Lindane, Toxaphene, Turbidity, Cysts, and Asbestos.

This system has been tested according to NSF/ANSI 42/53 for reduction of the substances listed below. The concentration of the indicated substances in water entering the system was reduced to a concentration less than or equal to the permissible limit for water leaving the system, as specified in NSF/ANSI 42/53.

OPERATING SPECIFICATIONS

Capacity: certified for up to 750 gallons (2,838 L); up to twelve months
 Pressure Requirement: 35–120 psi (2.8–8.2 bar)
 Temperature: 33–100°F (0.6–38°C)
 Flow Rate: 0.78 gpm (2.9 Lpm)

Substance	NSF Standard	Influent Challenge Concentration	Average Influent Concentration	Product Water Concentration		% Reduction		Max Permissible Product Water Concentration
				Average	Max Effluent	Average	Minimum	
Chlorine, Taste & Odor	42	2.0 mg/L ± 10%	1.88 mg/L	0.05 mg/L	0.06 mg/L	97.34%	96.80%	≥ 50%
Particulate	42	At least 10,000 particles/ml	5,700,000/ml	30,583/ml	69,000/ml	99.46%	98.78%	≥ 85%
Lead at pH 6.5	53	0.15 mg/L ± 10%	0.153 mg/L	<0.001 mg/L	<0.001 mg/L	99.34%	99.34%	0.010 mg/L
Lead at pH 8.5	53	0.15 mg/L ± 10%	0.150 mg/L	<0.001 mg/L	<0.001 mg/L	99.33%	99.33%	0.010 mg/L
Mercury at pH 6.5	53	0.006 mg/L ± 10%	0.006 mg/L	0.0003 mg/L	0.0005 mg/L	95.00%	91.66%	0.002 mg/L
Mercury at pH 8.5	53	0.006 mg/L ± 10%	0.006 mg/L	0.0008 mg/L	0.0015 mg/L	86.66%	75.00%	0.002 mg/L
Atrazine	53	0.009 mg/L ± 10%	0.009 mg/L	<0.002 mg/L	<0.002 mg/L	77.77%	77.77%	0.003 mg/L
Benzene	53	0.015 mg/L ± 10%	0.014 mg/L	0.0006 mg/L	0.0011 mg/L	95.71%	92.14%	0.005 mg/L
Carbofuran	53	0.08 mg/L ± 10%	0.081 mg/L	<0.001 mg/L	<0.001 mg/L	98.76%	98.76%	0.04 mg/L
1,4-dichlorobenzene	53	0.225 mg/L ± 10%	0.208 mg/L	<0.0005 mg/L	<0.0005 mg/L	99.75%	99.75%	0.075 mg/L
Lindane	53	0.002 mg/L ± 10%	0.002 mg/L	0.00003 mg/L	0.00007 mg/L	98.50%	96.50%	0.0002 mg/L
Toxaphene	53	0.015 mg/L ± 10%	0.015 mg/L	<0.001 mg/L	<0.001 mg/L	93.33%	93.33%	0.003 mg/L
Turbidity	53	11 ± 1 NTU	10.7 NTU	0.31 NTU	0.49 NTU	97.10%	95.42%	0.5 NTU
Cysts**	53	Minimum 50,000/L	166,500/L	<1/L	<1/L	>99.99%	>99.99%	>99.95%
Asbestos	53	10 ⁷ to 10 ⁸ fibers/L†	155 MF/L	<1 MF/L	<1 MF/L	>99.99%	>99.99%	>99%

**Based on the use of Cryptosporidium Parvum oocysts † Fibers greater than 10 µm in length

SPECIAL NOTES

- Replacement Sub-Zero water filter cartridges can be ordered online at subzero.com/store. For questions, contact Sub-Zero Customer Care at 800-222-7820.
- Change filter cartridge at least every twelve months. High sediment areas may require more frequent filter cartridge replacement.
- Installation and operation instructions, parts and service availability, and standard warranty are included with the product when shipped.
- Replace water filter cartridge when the filter indicator is lit or when water flow becomes too low. Use replacement water filter cartridge part number 4204490. Replacement filter pricing information can be found at subzero.com/store.
- Do not use with water that is microbiologically unsafe or of unknown water quality without adequate disinfection before or after the system.
- Systems certified for cyst reduction may be used on disinfected waters that may contain filterable cysts.
- This system must be installed, operated and maintained, and filters must be replaced as required in order for the product to perform as advertised.
- Note that while the testing was performed under standard laboratory conditions, actual performance may vary. The contaminants or other substances removed or reduced by this water treatment system are not necessarily in your water.

Troubleshooting

UNIT OPERATION

No lights or cooling.

- Verify power is on.
- Verify electrical power to the unit and home circuit breaker is on.

No lights in the refrigerator or freezer.

- The door/drawer may have been left ajar, which has disabled lights to eliminate excess heat. If the lights are out, close the door/drawer for one hour. If the lights are still out, contact Sub-Zero Factory Certified Service.
- LED interior lighting must be replaced by Sub-Zero Factory Certified Service.

Frost, condensation, or ice buildup inside the unit.

- Verify the condenser is clean.
- Verify the door/drawer is closing properly.
- Verify the door/drawer has not been left ajar.
- Verify the door/drawer gasket does not have rips or tears. If it does, contact Sub-Zero Factory Certified Service.
- If icing is heavy, turn the unit off and use a hair dryer to melt the ice. The hair dryer should be set on low and kept moving at all times. Once the ice has melted, wipe up any water with a cloth or paper towel.

High temperatures, the unit runs excessively or the unit is giving off too much heat.

- Verify the condenser is clean.
- Verify the door/drawer is closing properly.
- Verify the door/drawer has not been left ajar.
- Increased ambient temperatures may cause the compressors to run longer.
- If the temperature display shows 38° and 0°, but is not cooling, the unit may be in showroom mode. Contact Sub-Zero Customer Care at 800-222-7820.

No water from the dispenser.

- Wait one hour, then try the dispenser again. Contact Sub-Zero Customer Care at 800-222-7820 if unresolved.

ODOR

- The unit should be cleaned before using for the first time. This will clear any odors that may have been trapped during shipping.
- Replace the air purification cartridge.
- Clean the unit and shelving thoroughly.
- Uncovered food could create an odor, which may require cleaning.

Troubleshooting

ICE PRODUCTION

No ice.

- Verify the ice cube indicator appears in the control panel display.
- Verify the ice maker has been on for at least 24 hours.
- Verify the freezer temperature is near 0°F.
- Verify the ice container is properly installed.
- Verify the ice maker arm is in the down position.
- Verify water is being supplied to the unit.
- Verify the water filter has been replaced within the last 12 months and installed properly.
- Verify the water filter has been removed if a reverse osmosis filtration system is being used.

Blue or green ice.

- Possible copper supply line corrosion. Contact a plumber to clean or replace.

Black flecks in the cubes.

- Stop use and contact Sub-Zero Factory Certified Service.

Bad taste.

- Defrost the freezer and clean with soap and water.
- Place coffee grounds or charcoal briquettes in the freezer to absorb odor.

Hollow cubes.

- Clean the condenser. Contact Sub-Zero Factory Certified Service if unresolved.

SERVICE

- Maintain the quality built into your product by contacting Sub-Zero Factory Certified Service. For the name of the nearest Sub-Zero Factory Certified Service, check the Product Support section of our website, subzero.com or call Sub-Zero Customer Care at 800-222-7820.
- When contacting service, you will need the model and serial number of your unit. Both numbers are listed on the product rating plate. Refer to page 7 for rating plate location.
- For warranty purposes, you will also need the date of installation and name of your authorized Sub-Zero dealer. This information should be recorded on page 3.

Sub-Zero Residential Limited Warranty

FOR RESIDENTIAL USE

FULL TWO YEAR WARRANTY*

For two years from the date of original installation, this Sub-Zero product warranty covers all parts and labor to repair or replace, under normal residential use, any part of the product that proves to be defective in materials or workmanship. All service provided by Sub-Zero under the above warranty must be performed by Sub-Zero Factory Certified Service, unless otherwise specified by Sub-Zero, Inc. Service will be provided during normal business hours.

FULL FIVE YEAR SEALED SYSTEM WARRANTY

For five years from the date of original installation, this Sub-Zero product warranty covers all parts and labor to repair or replace, under normal residential use, these parts that prove to be defective in materials or workmanship: compressor, condenser, evaporator, drier and all connecting tubing. All service provided by Sub-Zero under the above warranty must be performed by Sub-Zero Factory Certified Service, unless otherwise specified by Sub-Zero, Inc. Service will be provided during normal business hours.

LIMITED TWELVE YEAR SEALED SYSTEM WARRANTY

For twelve years from the date of original installation, Sub-Zero will repair or replace the following parts that prove to be defective in materials or workmanship: compressor, condenser, evaporator, drier and all connecting tubing. If the owner uses Sub-Zero Factory Certified Service, the service provider will repair or replace these parts with the owner paying for all other costs, including labor. If the owner uses non-certified service, the owner must contact Sub-Zero, Inc. (using the information below) to receive repaired or replacement parts. Sub-Zero will not reimburse the owner for parts purchased from non-certified service or other sources.

TERMS APPLICABLE TO EACH WARRANTY

The warranty applies only to products installed for normal residential use. The warranty applies only to products installed in any one of the fifty states of the United States, the District of Columbia or the ten provinces of Canada. This warranty does not cover any parts or labor to correct any defect caused by negligence, accident or improper use, maintenance, installation, service or repair.

THE REMEDIES DESCRIBED ABOVE FOR EACH WARRANTY ARE THE ONLY ONES THAT SUB-ZERO, INC. WILL PROVIDE, EITHER UNDER THIS WARRANTY OR UNDER ANY WARRANTY ARISING BY OPERATION OF LAW. SUB-ZERO, INC. WILL NOT BE RESPONSIBLE FOR ANY CONSEQUENTIAL OR INCIDENTAL DAMAGES ARISING FROM THE BREACH OF THIS WARRANTY OR ANY OTHER WARRANTY, WHETHER EXPRESS, IMPLIED OR STATUTORY.

Some states do not allow the exclusion or limitation of incidental or consequential damages, so the above limitation or exclusion may not apply to you. This warranty gives you specific legal rights and you may also have other legal rights that vary from state to state.

To receive parts and/or service and the name of Sub-Zero Factory Certified Service nearest you, contact Sub-Zero, Inc., P.O. Box 44848, Madison, WI 53744; check the Product Support section of our website, subzero.com, email us at customerservice@subzero.com, or call 800-222-7820.

*Stainless steel (doors, panels, handles, product frames and interior surfaces) are covered by a limited 60-day parts and labor warranty for cosmetic defects.

*Replacement water filters and air purification cartridges are not covered by the product warranty.



Sub-Zero Outdoor Limited Warranty*

FOR RESIDENTIAL USE

FULL ONE YEAR WARRANTY**

For one year from the date of original installation, this Sub-Zero product warranty covers all parts and labor to repair or replace, under normal residential use, any part of the product that proves to be defective in materials or workmanship. All service provided by Sub-Zero under the above warranty must be performed by Sub-Zero Factory Certified Service, unless otherwise specified by Sub-Zero, Inc. Service will be provided during normal business hours.

FULL FIVE YEAR SEALED SYSTEM WARRANTY

For five years from the date of original installation, this Sub-Zero product warranty covers all parts and labor to repair or replace, under normal residential use, these parts that prove to be defective in materials or workmanship: compressor, condenser, evaporator, drier and all connecting tubing. All service provided by Sub-Zero under the above warranty must be performed by Sub-Zero Factory Certified Service, unless otherwise specified by Sub-Zero, Inc. Service will be provided during normal business hours.

TERMS APPLICABLE TO EACH WARRANTY

The warranty applies only to products installed for normal residential use. The warranty applies only to products installed in any one of the fifty states of the United States, the District of Columbia or the ten provinces of Canada. This warranty does not cover any parts or labor to correct any defect caused by negligence, accident or improper use, maintenance, installation, service or repair.

THE REMEDIES DESCRIBED ABOVE FOR EACH WARRANTY ARE THE ONLY ONES THAT SUB-ZERO, INC. WILL PROVIDE, EITHER UNDER THIS WARRANTY OR UNDER ANY WARRANTY ARISING BY OPERATION OF LAW. SUB-ZERO, INC. WILL NOT BE RESPONSIBLE FOR ANY CONSEQUENTIAL OR INCIDENTAL DAMAGES ARISING FROM THE BREACH OF THIS WARRANTY OR ANY OTHER WARRANTY, WHETHER EXPRESS, IMPLIED OR STATUTORY.

Some states do not allow the exclusion or limitation of incidental or consequential damages, so the above limitation or exclusion may not apply to you. This warranty gives you specific legal rights and you may also have other legal rights that vary from state to state.

To receive parts and/or service and the name of Sub-Zero Factory Certified Service nearest you, contact Sub-Zero, Inc., P.O. Box 44848, Madison, WI 53744; check the Product Support section of our website, subzero.com, email us at customerservice@subzero.com, or call 800-222-7820.

*Product must be approved for outdoor use, designated by model and serial number.

**Stainless steel (doors, panels, handles, product frames and interior surfaces) are covered by a limited 60-day parts and labor warranty for cosmetic defects.

**Replacement water filters are not covered by the product warranty.



Contenido

- 3** Refrigeración de la serie diseñador
- 4** Precauciones de seguridad
- 6** Características de la serie diseñador
- 8** Controles interactivos
- 9** Almacenamiento
- 14** Operación
- 18** Recomendaciones de cuidado
- 19** Datos del sistema de filtración de agua
- 20** Resolución de problemas
- 22** Garantías de Sub-Zero

Atención al cliente

El modelo y número de serie están impresos en la tarjeta de registro del producto adjunta. Ambos números también aparecen en la placa de datos del producto. Consulte la página 7 para encontrar la placa de datos. Para fines de la garantía, también necesitará la fecha de instalación y el nombre de su distribuidor autorizado de Sub-Zero. Guarde la siguiente información para futuras referencias.

INFORMACIÓN DE SERVICIO

Número de modelo

Número de serie

Fecha de la instalación

Nombre de servicio certificado

Número de servicio certificado

Distribuidor autorizado

Número de distribuidor

Si su producto alguna vez necesita servicio, use un proveedor de servicios certificado por Sub-Zero y recomendado por nuestro centro de atención al cliente, o seleccione uno de nuestra lista de proveedores disponibles en subzero.com/locator. Nosotros seleccionamos y capacitamos cuidadosamente a todos los proveedores de servicios certificados de fábrica.

Aviso importante

Para garantizar que este producto se instale y opere de la forma más segura y eficiente posible, tome nota de los siguientes tipos de información resaltada en esta guía:

AVISO IMPORTANTE señala la información que es especialmente importante.

PRECAUCIÓN indica una situación en la que se pueden sufrir heridas leves o provocar daños al producto si no se siguen las instrucciones.

ADVERTENCIA indica peligro de que se produzcan heridas graves o incluso la muerte si no se siguen las precauciones.

AVISO IMPORTANTE: En toda esta guía, las dimensiones entre paréntesis son milímetros, a menos que se especifique lo contrario.

INSTRUCCIONES IMPORTANTES

⚠ ADVERTENCIA

No almacene sustancias explosivas como latas de aerosol con un propulsor inflamable en este aparato.

⚠ ADVERTENCIA

Mantenga las aberturas de ventilación, en el gabinete del electrodoméstico o en la estructura incorporada, sin obstrucciones.

⚠ ADVERTENCIA

No utilice dispositivos mecánicos u otros medios para acelerar el proceso de descongelación, que no sean los recomendados por el fabricante.

⚠ ADVERTENCIA

No exponga este aparato a la lluvia.

⚠ ADVERTENCIA

Este electrodoméstico contiene refrigerante inflamable y debe ser manipulado, instalado, reparado y dado de baja por personal autorizado. Una vez fuera de servicio, consulte a las autoridades locales para obtener instrucciones de eliminación.

⚠ ADVERTENCIA



Este símbolo indica riesgo de incendio / materiales inflamables.

⚠ ADVERTENCIA

Este electrodoméstico solo está diseñado para uso residencial.

⚠ PRECAUCIÓN

Los fabricantes de hielo incorporados deben ser instalados por el fabricante o su agente de servicio.

⚠ ADVERTENCIA

No dañe el circuito refrigerante.

⚠ ADVERTENCIA

No use aparatos eléctricos dentro de los compartimientos de almacenamiento de alimentos del aparato, a menos que sean del tipo recomendado por el fabricante.

⚠ ADVERTENCIA

Este electrodoméstico no está diseñado para ser utilizado por personas (incluidos niños) con capacidades físicas, sensoriales o mentales reducidas, o falta de experiencia y conocimiento, a menos que una persona responsable de su seguridad les haya dado supervisión o instrucciones sobre el uso del electrodoméstico. Los niños deben ser supervisados para asegurarse de que no jueguen con el aparato.

INSTRUCCIONES IMPORTANTES

▲ ADVERTENCIA

PELIGRO: Riesgo de atrapamiento infantil.
Antes de tirar su viejo refrigerador o congelador:

- Quítate las puertas.
- Deje los estantes y los divisores de los cajones en su lugar para que los niños no puedan entrar fácilmente.

▲ ADVERTENCIA

PROPUESTA 65 PARA RESIDENTES DE CALIFORNIA

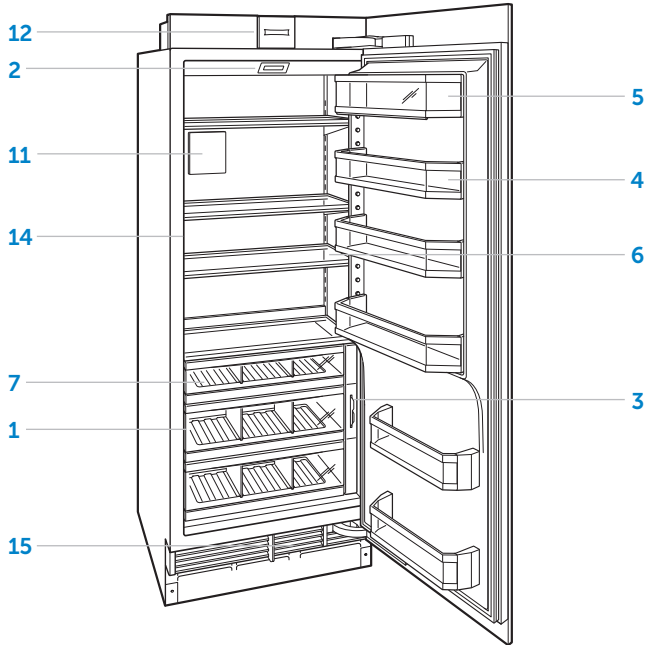
Cáncer y Daño Reproductivo—
www.P65Warnings.ca.gov

Características de la serie diseñador

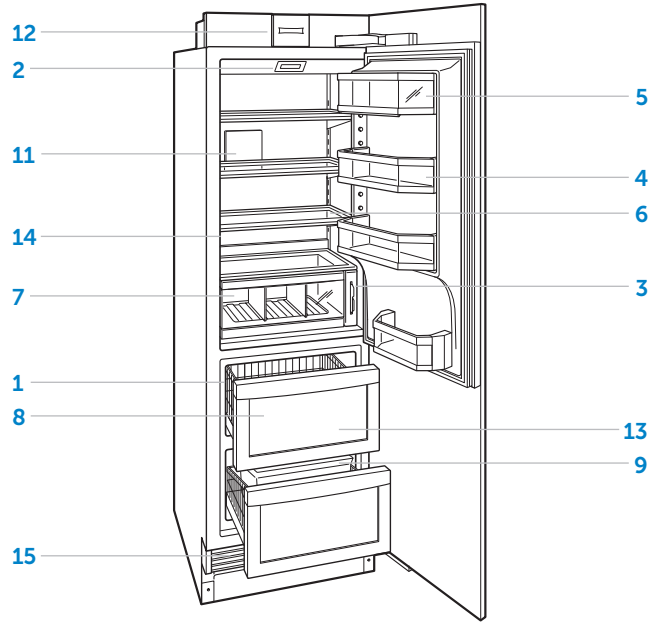
CARACTERÍSTICAS

1	Placa de datos del producto
2	Panel de control interactivo
3	Tarjetas de frescura
4	Estantes de la puerta
5	Compartimento para lácteos
6	Estantes de cristal
7	Cajones de almacenamiento del refrigerador
8	Cesta del congelador
9	Contenedor de hielo
10	Cajones de almacenamiento
11	Sistema de purificación de aire
12	Sistema de filtrado de agua
13	Fábrica automática de hielo
14	Dispensador de agua (modelos con dispensador)
15	Condensador (detrás de la rejilla)

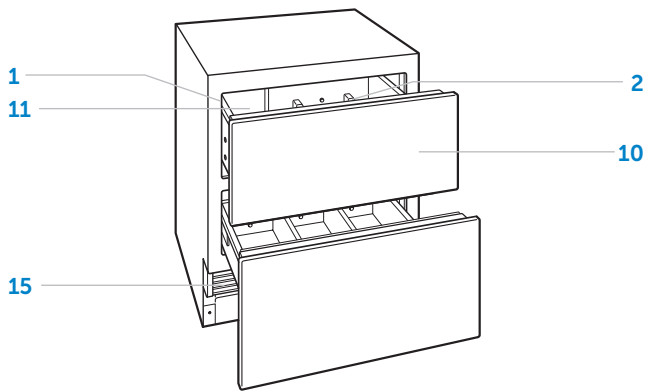
Características de la serie diseñador



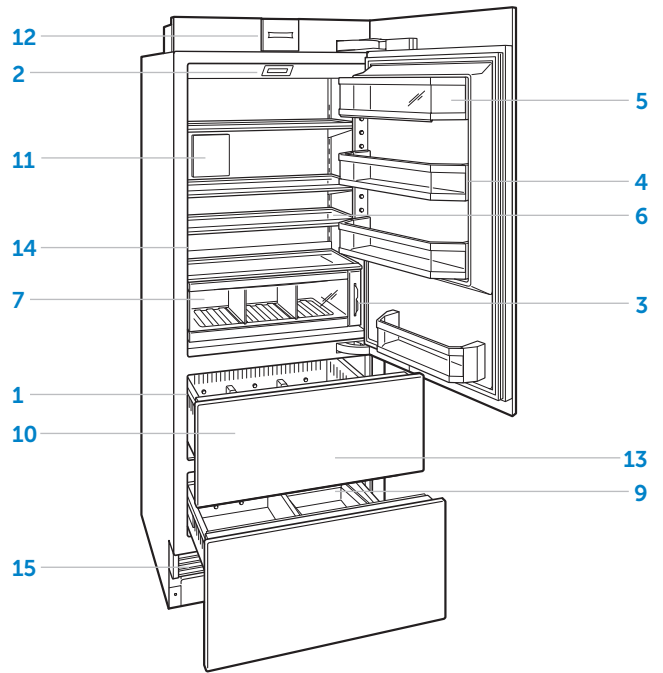
Refrigerador todo de columna



Combinación de columnas



Refrigerador todo de cajones



Refrigerador alto de combinación

Panel de control interactivo

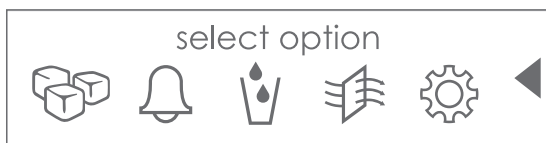
Para la puesta en marcha inicial, toque y mantenga presionado el botón "power" (encendido) en el panel de control durante 2 segundos.

La temperatura puede ajustarse en incrementos de un grado desde la pantalla de inicio. Las unidades combinadas tienen diferentes controles de temperatura para el refrigerador y el congelador. Temperaturas prefijadas en 38°F (3°C) y 0°F (-18°C). Para cambiar la temperatura, toque la temperatura que desea ajustar, luego presione + o - hasta que aparezca la temperatura deseada. Consulte la siguiente ilustración.

Una vez que ha ajustado la temperatura, puede activar o desactivar otras funciones desde la pantalla de ajustes. Toque ► para ver la pantalla de opciones. Consulte la siguiente ilustración.








Pantalla de inicio













Pantalla de opciones

PANTALLA DE OPCIONES

-  Toque para activar o desactivar el sistema de fabricación de hielo y la función max ice.
-  Toque para activar o desactivar la alarma de la puerta o del cajón.
-  Toque para activar o desactivar el dispensador de agua.
-  Toque para activar o desactivar el sistema de purificación de aire.
-  Toque para ver la pantalla de ajustes.

PANTALLA DE AJUSTES

-  Toque para ver la información del modelo.
-  Toque para seleccionar la unidad de temperatura, Fahrenheit o Celsius.
-  Toque para ajustar el brillo y contraste del panel de control.
-  Toque para ajustar el volumen y tono de la alarma de la puerta/del cajón.
-  Toque para ajustar la duración de la alarma de la puerta/del cajón.
-  Toque para iniciar el modo Sabbath.
-  Toque para ver cómo solucionar problemas y la información del servicio técnico.
-  Toque para programar el reloj.
-  Toque para habilitar o deshabilitar la conexión.
-  Toque para seleccionar opciones de idioma.
-  Toque para ajustar la luz de acento suave.

Conservación de los alimentos frescos

Esta unidad Sub-Zero incorpora un exclusivo sistema de refrigeración doble para mantener los alimentos frescos durante más tiempo.

Con el sistema de refrigeración doble de Sub-Zero, los sistemas individuales del refrigerador y el congelador han sido diseñados para mantener una temperatura precisa y constante, así como niveles de humedad adecuados para que los alimentos se conserven durante más tiempo. La refrigeración doble elimina la transferencia de olores de los alimentos frescos a los congelados o al hielo y no congela la humedad presente en el aire en la sección de alimentos frescos.

Para obtener sugerencias útiles e información sobre cómo maximizar la frescura de los alimentos, consulte las tarjetas de frescura almacenadas en el refrigerador.

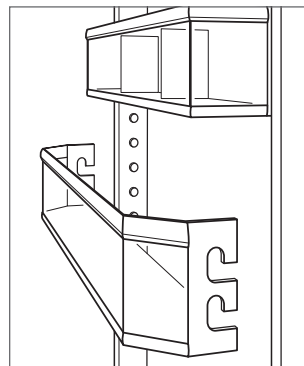
Almacenamiento en el refrigerador

ESTANTES DE LA PUERTA

Para reposicionar el estante de la puerta o el compartimento para lácteos:

- 1 Para retirar, levante el estante desde la parte inferior y deslícelo hacia afuera. Consulte la siguiente ilustración.
- 2 Para reinstalar, colóquelo en la posición deseada y deslice el estante hacia abajo sobre las guías.

AVISO IMPORTANTE: Si la apertura de la puerta está limitada a 90°, puede ser necesario extraer los estantes antes de extraer un cajón o estante de cristal.



Extracción de los estantes de la puerta

Almacenamiento en el refrigerador

ESTANTES DE CRISTAL

Para reposicionar un estante de vidrio:

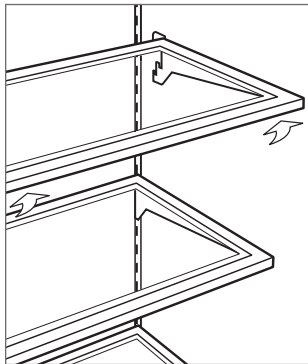
- 1 Para retirar, incline el estante hacia arriba, luego levántelo y sáquelo. Consulte la siguiente ilustración.
- 2 Para volver a instalar, inserte el estante en las pistas a lo largo de la pared posterior, luego baje el frente hasta que encaje en su posición.

El estante de cristal fijo en la parte baja del compartimiento debe colocarse con el borde biselado hacia el frente. Las patas traseras de soporte separan el estante de la pared posterior para garantizar el correcto flujo de aire en toda la unidad.

AVISO IMPORTANTE: Tenga cuidado al manipular los estantes de cristal para evitar que se rompan o que rayen el interior.

▲ PRECAUCIÓN

Debe dejar que los estantes de cristal alcancen la temperatura ambiente antes de sumergirlos en agua tibia.



Extracción de los estantes de cristal

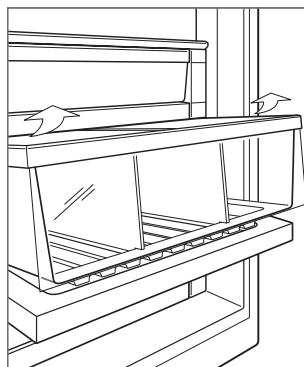
CAJONES DE ALMACENAMIENTO DEL REFRIGERADOR

Para quitar/reinstalar un cajón del refrigerador:

- 1 Para retirar, abra el cajón hasta que se detenga. Levante ligeramente la parte delantera del cajón y tire hacia afuera. Consulte la siguiente ilustración.
- 2 Para volver a instalar, extraiga el soporte del cajón y alinee la parte inferior del cajón con el soporte. Deslice el cajón nuevamente a su posición.

Para reposicionar un divisor del cajón del refrigerador:

- 1 Para quitar, tire del divisor hacia arriba.
- 2 Para reinstalar, alinee las pestañas del divisor con las muescas en el cajón y empujar hacia abajo.



Extracción de los cajones del refrigerador

Cajones de almacenamiento

CUBIERTA PARA CONTROL DE HUMEDAD

La cubierta para control de humedad en el cajón de almacenamiento superior se puede cerrar o dejar abierta.

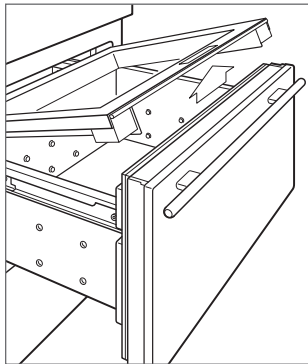
Para quitar la tapa de la gaveta:

- 1 Tire del cajón de almacenamiento superior completamente hacia afuera.
- 2 Levante el borde frontal de la tapa de la gaveta y tire de ella hacia adelante y afuera del cajón. Consulte la siguiente ilustración.

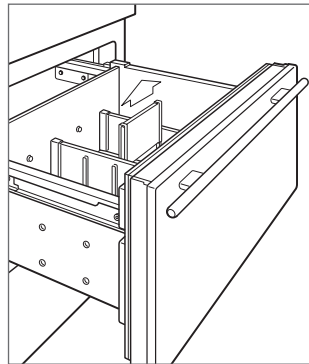
DIVISORES DE CAJONES

Para reposicionar un divisor de cajones:

- 1 Para quitar un divisor corto, flexione ligeramente el divisor largo, luego tire hacia arriba. Consulte la siguiente ilustración.
- 2 Solo para modelos de cajones de 36 "de ancho, se puede ajustar un divisor largo. Para quitar un divisor largo, se deben quitar todos los divisores cortos. Tire del divisor largo hacia arriba hasta que se detenga, gire en sentido antihorario y luego tire hacia arriba.
- 3 Para reinstalar un divisor largo, alinee las ranuras con las pestañas del cajón, gire en el sentido de las agujas del reloj y luego deslícelo hacia abajo.
- 4 Para reinstalar un divisor corto, colóquelo como lo desee, luego bajar deslizándose.



Cubierta para control de humedad



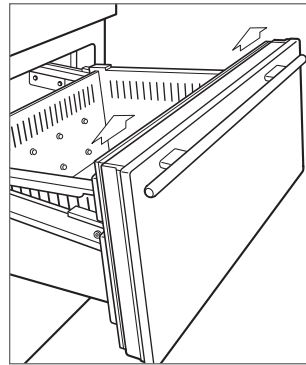
Divisores de cajones

EXTRACCIÓN DEL CAJÓN

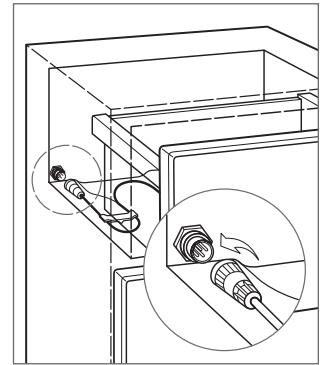
Para quitar/reinstalar un cajón de almacenamiento:

- 1 Para retirar, abra el cajón hasta que se detenga. Levante ligeramente la parte delantera del cajón y tire hacia afuera. Consulte la siguiente ilustración.
- 2 Para reinstalar, levante la parte frontal del cajón y colóquelo sobre los portaobjetos. Alinee la parte posterior del cajón con ganchos en el portaobjetos, luego alinee las clavijas blancas en la parte delantera del portaobjetos con los agujeros en el frente del cajón.

AVISO IMPORTANTE: Para los modelos con cajones, el cajón superior tiene un cable de control que debe desconectarse antes de retirar el cajón. Consulte la siguiente ilustración.



Extracción del cajón



Cable de control (cajones)

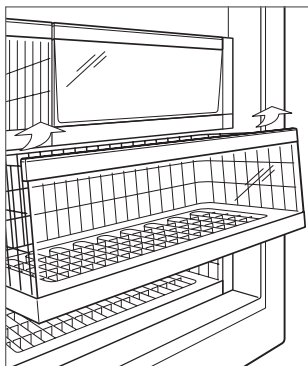
Almacenamiento del congelador

CESTAS DEL CONGELADOR

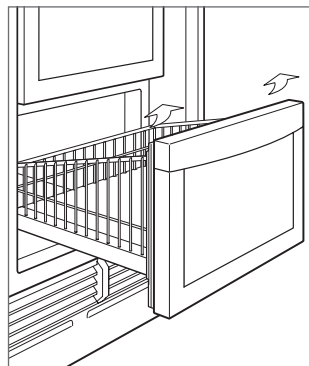
Para retirar una canasta del congelador:

- 1 Abra la canasta hasta que se detenga.
- 2 Tire de las dos pestañas de plástico ubicadas detrás de las dos esquinas inferiores de la canasta hacia adelante, luego levántelas y extráigaslas. Consulte las ilustraciones a continuación.

Si la apertura de la puerta está limitada a 90°, debe quitar la cesta superior antes de extraer las cestas intermedia o inferior.



Extracción de la cesta del congelador



Cesta de congelador para combinación de columnas

Para reinstalar una canasta de congelador (modelo de columna):


- 1 Empuje la canasta desliza hacia adentro.
- 2 Alinee la canasta con las diapositivas y empuje hacia atrás hasta que se detenga.
- 3 Presione hacia abajo el frente de la canasta para enganchar las diapositivas.

Para reinstalar una canasta de congelador (modelo de combinación de columna):

- 1 Extienda completamente los portaobjetos de la cesta.
- 2 Alinee la canasta con las diapositivas y empuje hacia atrás hasta que la parte posterior de la canasta haga contacto con las pestañas de la diapositiva.
- 3 Empuje hacia atrás y hacia abajo en la parte delantera de la canasta para enganchar las pestañas.

Almacenamiento del congelador

CONTENEDOR DE HIELO

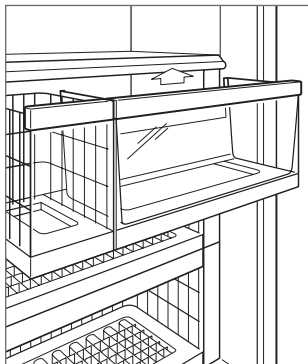
La fábrica de hielo debe apagarse al tocar  cuando se extraiga el contenedor de almacenamiento de hielo. La unidad está equipada con un tiempo de espera de 3 minutos que empieza después de extraer el contenedor de hielo, para garantizar que los cubos no salgan expulsados antes de poder desactivar la fábrica de hielo o volver a instalar el contenedor de hielo.

Para retirar el recipiente de hielo (modelo de columna):

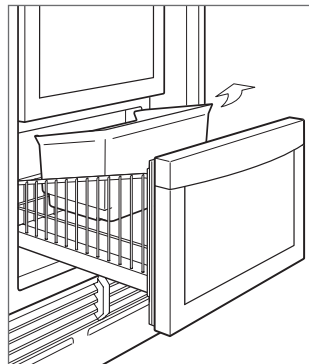
- 1 Abra la canasta del congelador hasta que se detenga.
- 2 Levanta el contenedor. Consulte la siguiente ilustración.

Para retirar el recipiente de hielo (modelo de combinación de columna):

- 1 Abra la canasta del congelador hasta que se detenga.
- 2 Incline ligeramente el contenedor para levantarlo. Referirse a Ilustración a continuación.



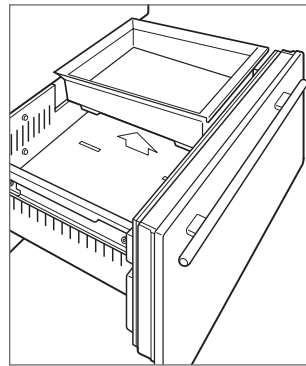
Contenedor de hielo para modelos de columna



Contenedor de hielo para combinación de columnas

Para retirar el recipiente de hielo (modelos altos y cajones):


- 1 Abra la canasta del congelador hasta que se detenga.
- 2 Levanta el contenedor. Consulte la siguiente ilustración.



Contenedor de hielo para modelos altos y de cajón

Sistema de purificación de aire

Muchos alimentos frescos emiten gas etileno, un compuesto natural que acelera la maduración y el deterioro de los alimentos. Si su unidad está equipada con un sistema de purificación de aire, el cartucho viene instalado de fábrica y está situado en la pared posterior del refrigerador (atrás del cajón superior para los modelos de cajón).

Para iniciar la purificación del aire toque  en la pantalla de opciones.

⚠ PRECAUCIÓN

El sistema de purificación de aire cumple con los requisitos Federales aplicables en relación con la exposición incidental a la luz ultravioleta. La lámpara contiene mercurio. A la hora de deshacerse de ella, acate las leyes vigentes al respecto. Visite [earth 911.com](http://earth.911.com) o llame al 800-222-7820.

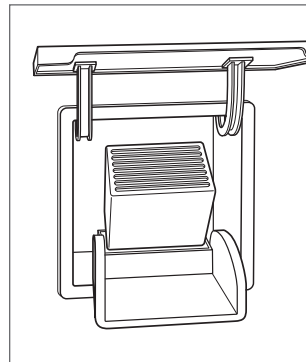
CARTUCHO DE PURIFICACIÓN DE AIRE

El cartucho dura aproximadamente un año. El mensaje "Change Air Purifier" (Reemplace el purificador de aire) aparecerá en el panel de control cuando sea necesario reemplazar el cartucho. Toque "Snooze" (Posponer) para retrasar el recordatorio durante 24 horas o hasta que el cartucho se pueda sustituir.

Puede ordenar los cartuchos de purificación de aire Sub-Zero en línea en subzero.com/store. Si tiene preguntas, llame a la línea de atención al cliente de Sub-Zero al 800-222-7820.

Para reemplazar el cartucho de purificación de aire:

- 1 Para obtener acceso al cartucho de purificación de aire, sujete la cubierta externa desde abajo y gire hacia arriba. Consulte las siguientes ilustraciones.
- 2 Sujete la cubierta de color negro desde arriba y gire hacia abajo. El cartucho saldrá de su posición y ahora puede extraerlo.
- 3 Extraiga el cartucho nuevo de su empaque, ponga el cartucho en su sitio con el conector hacia abajo.
- 4 Una vez en su sitio, cierre la cubierta de color negro. A continuación gire la cubierta externa hacia abajo.
- 5 Una vez que haya reemplazado el cartucho, siga las instrucciones que aparecen en el panel de control. El ciclo de vida del cartucho se reiniciará durante aproximadamente un año.



Cartucho de purificación de aire

Sistema de filtrado de agua

El sistema de filtrado de agua de los modelos integrados de Sub-Zero suministra agua filtrada al fabricante de hielo y al dispensador de agua (modelos con dispensador) para producir agua y hielo de excelente sabor.

AVISO IMPORTANTE: Al utilizar el sistema de filtrado de agua por primera vez y después de cambiar el filtro, es necesario eliminar todo el aire del sistema y permitir que el filtro ayude a limpiar las líneas de agua. Para los modelos sin dispensador, deseche los dos primeros vasos llenos de hielo. Para los modelos con dispensador, deseche varios vasos de agua durante un periodo de dos minutos.

Si no va a utilizar el sistema de filtrado, puede colocarlo en el modo de desviación del filtro de agua al quitar el filtro.

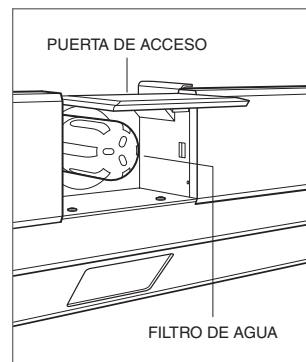
FILTRO DE AGUA

El filtro tiene una capacidad para 750 galones (2839 L) o un año de uso, lo que ocurra primero. El mensaje "Change Water Filter" (Reemplace el filtro de agua) aparecerá en el panel de control cuando sea necesario reemplazar el cartucho. Toque "Snooze" (Posponer) para retrasar el recordatorio durante 24 horas o hasta que el filtro se pueda sustituir.

Puede ordenar los filtros de agua de Sub-Zero en línea en subzero.com/store. Si tiene preguntas, llame a la línea de atención al cliente de Sub-Zero al 800-222-7820.

Para reemplazar el filtro de agua:



- 1 Para obtener acceso al filtro de agua, jale el borde inferior de la puerta de acceso hacia fuera y gire hacia arriba. Consulte la siguiente ilustración.
- 2 Para retirar el filtro anterior, gírelo un cuarto en sentido opuesto de las manecillas del reloj y jálelo. Es normal que gotee una pequeña cantidad de agua al extraer el filtro. Debe limpiarla con una servilleta de papel o un paño.
- 3 Extraiga el nuevo filtro de su empaque y retire la tapa de plástico.
- 4 Inserte el nuevo filtro en el múltiple y gire en sentido de las manecillas del reloj.
- 5 Una vez que haya instalado el filtro nuevo, siga las instrucciones que aparecen en el panel de control. El ciclo de vida del filtro se reiniciará durante aproximadamente un año.



Extracción del filtro de agua

Operación de la fábrica de hielo

Para operar la fábrica de hielo:

- 1 Para activar la fábrica de hielo, toque  en la pantalla de opciones. Un solo cubo resaltado indica que la fábrica de hielo está activa. Tres cubos resaltados indican que la función de hielo máximo está activa.
- 2 Para desactivar la fábrica de hielo, toque  hasta que no se resalten los cubos.

Después de la puesta en marcha inicial, deseche los primeros lotes de hielo. El hielo puede contener impurezas de nuevas conexiones de plomería.

Max ice aumenta la producción de hielo hasta un 30% durante un período de 24 horas. Durante ese período, algunos componentes pueden funcionar a una velocidad más alta, lo que resulta en un tono audible único. Esto es típico y se revertirá después de 24 horas o cuando el recipiente de hielo esté lleno.

Si el hielo no se usa regularmente, puede fusionarse. Para evitarlo, deseche el hielo y permita que la fábrica de hielo se reponga.

Desactive la fábrica de hielo si se retira el recipiente de hielo durante un período prolongado. La unidad está equipada con un retraso de tres minutos después de que se haya quitado el recipiente de hielo, para garantizar que los cubos no se expulsen antes de que la fábrica de hielo se desactive o se reinstale el recipiente de hielo.

Dispensador de agua

El dispensador de agua se encuentra al interior del refrigerador en la pared izquierda. Consulte la siguiente ilustración.

Para dispensar agua:

- 1 Presione un vaso contra el dispensador para activar el flujo de agua.
- 2 El flujo de agua se detendrá cuando se retire el vaso.

El depósito de agua fría tiene una capacidad aproximada para 32 onzas (1 L) de agua filtrada. La primera vez que se rellena el depósito o después de utilizar una gran cantidad de agua puede tardar varias horas en enfriar el agua a la temperatura del refrigerador.

Para llenar el tanque de agua:

- 1 Presione un vaso contra el dispensador hasta que el agua comience a fluir. Se incorpora una característica de seguridad en el dispensador para limitar el flujo continuo de agua a 60 segundos.
- 2 Si el agua no se dispensa en 60 segundos, retire el vaso y luego vuelva a aplicarlo al dispensador hasta que el agua comience a fluir.
- 3 Una vez que el tanque esté lleno, deseche los primeros vasos de agua. Puede contener impurezas de nuevas conexiones de plomería.




Dispensador de agua

Sabbath

Este electrodoméstico lleva el certificado Star-K que indica que cumple con estrictas normas religiosas junto con instrucciones específicas que aparecen en www.star-k.org.

Para iniciar el modo Sabbath:

- 1 Desde la pantalla de ajustes, toque .
- 2 Siga las instrucciones en el panel de control.

Conecte este dispositivo

Conecte este dispositivo para controlarlo y controlarlo de forma remota. La conexión requiere un enrutador inalámbrico, una conexión a Internet con un nombre y contraseña de red y un dispositivo móvil compatible. No hay límite para la cantidad de dispositivos que puede conectar a una cuenta. Conecte productos de múltiples hogares a la misma cuenta. La conexión de electrodomésticos es opcional.

- 1 Descargue la aplicación gratuita Sub-Zero Group Owner's App Store de Apple App Store o Google Play.
- 2 Con Bluetooth habilitado en el dispositivo, párese a pocos pies del dispositivo, abra la aplicación y siga las instrucciones en pantalla.
- 3 Ingresar o Crear una cuenta.
- 4 Toque Agregar un dispositivo o toque + en la esquina superior derecha de la pantalla para agregar dispositivos. Para identificar qué dispositivo emparejar, abra la puerta del dispositivo.
- 5 Toque + junto al dispositivo para seleccionarlo. Si aparecen dispositivos idénticos, un paso adicional identifica qué dispositivo emparejar.
- 6 Toque Emparejar por Bluetooth. Espere a que se complete la configuración, luego toque Configurar su dispositivo para el emparejamiento.
- 7 Toque Elegir una red en la pantalla Conecte su dispositivo a Wi-Fi.
- 8 Seleccione la red Wi-Fi doméstica e ingrese la contraseña de la red.
- 9 Toque Activar notificaciones para permitir las notificaciones sobre el dispositivo (por ejemplo, puerta entreabierto).
- 10 Toque Listo en la pantalla de Éxito para completar la configuración.

Limpeza

EXTERIOR DE ACERO INOXIDABLE

Use un limpiador no abrasivo para acero inoxidable y aplique con un paño suave sin pelusa. Para resaltar el lustre natural, limpie suavemente la superficie con una tela de microfibra humedecida con agua, seguida con una gamuza para pulir en seco. Siempre siga la dirección del acabado del acero inoxidable.

LIMPIEZA INTERIOR

Para limpiar las superficies interiores y todas las piezas móviles, lave con una solución suave de jabón, agua y bicarbonato de sodio. Enjuague y seque completamente. Evite que el agua entre en contacto con las luces y el panel de control.

⚠ PRECAUCIÓN

No utilice vinagre, alcohol ni otros limpiadores a base de alcohol en ninguna superficie interna.

VACACIONES

Para vacaciones prolongadas, apague la unidad desde el panel de control. Vacíe la unidad y deje las puertas ligeramente abiertas para permitir la entrada de aire y que el interior se mantenga fresco y seco. Debe cambiar el filtro de agua antes de iniciar las operaciones.

LIMPIEZA DEL CONDENSADOR

⚠ PRECAUCIÓN

Antes de limpiar el condensador, apague la unidad desde el panel de control. Utilice guantes para evitar que las aletas afiladas del condensador puedan provocarle heridas.

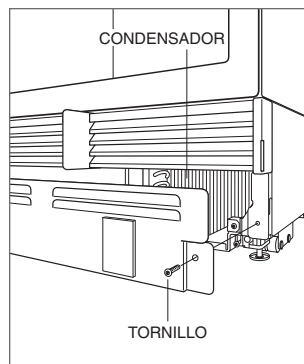
El condensador se encuentra situado detrás de la rejilla. Limpie el condensador cada 6–12 meses.

Para limpiar el condensador:

- 1 Apague la energía en el panel de control.
- 2 Retire la placa de apoyo extrayendo los dos tornillos de montaje. Consulte la siguiente ilustración.
- 3 Use un cepillo de cerdas suaves y aspire para eliminar el polvo y las pelusas del condensador. Para evitar dañar las aletas del condensador, aspire en la dirección de las aletas.

⚠ PRECAUCIÓN

Si no lo limpia, el condensador puede perder la temperatura, o puede producirse un daño o fallo mecánico en el mismo.



Ubicación del condensador

Datos del sistema de filtración de agua Sub-Zero

CARTUCHO DE REPUESTO (4204490)



Probado y certificado por NSF International según la Norma 42 de la Fundación Nacional Estadounidense de Saneamiento/Instituto Nacional Estadounidense de Estándares (National Sanitation Foundation/American National Standards Institute, NSF/ANSI) para la reducción del sabor y olor a cloro y partículas de Clase I; y según la Norma 53 de NSF/ANSI para la reducción de plomo, mercurio, atracina, benceno, carbofurano, 1,4-diclorobenceno, lindano, toxafeno, turbidez, quistes, y asbesto.

Este sistema ha sido sometido a pruebas según las normas NSF/ANSI 42/53 para la reducción de las sustancias mencionadas a continuación. La concentración de las sustancias indicadas en el agua de entrada al sistema fue reducida hasta una concentración menor que o igual al límite permisible para el agua que sale del sistema, según lo especificado en la norma NSF/ANSI 42/53.

ESPECIFICACIONES DE OPERACIÓN

Capacidad: certificado hasta para 750 galones (2,838 L), hasta doce meses

Requisitos de presión: De 35 a 120 psi (de 2.8 a 8.2 bares)

Temperatura: De 33 a 100°F (de 0.6 a 38°C)

Caudal: 0.78 gpm (2.9 Lpm)

Sustancia	Norma NSF	Concentración de riesgo de afluentes	Concentración promedio de afluentes	Concentración de agua del producto		% de reducción		Concentración máxima permitida de agua del producto
				Media	Aflente máximo	Media	Mínimo	
Cloro, sabor y olor	42	2.0 mg/L ± 10%	1.88 mg/L	0.05 mg/L	0.06 mg/L	97.34%	96.80%	≥ 50%
Partículas	42	Por lo menos 10,000 partículas/ml	5,700,000/ml	30,583/ml	69,000/ml	99.46%	98.78%	≥ 85%
Plomo a pH 6.5	53	0.15 mg/L ± 10%	0.153 mg/L	<0.001 mg/L	<0.001 mg/L	99.34%	99.34%	0.010 mg/L
Plomo a pH 8.5	53	0.15 mg/L ± 10%	0.150 mg/L	<0.001 mg/L	<0.001 mg/L	99.33%	99.33%	0.010 mg/L
Mercurio a pH 6.5	53	0.006 mg/L ± 10%	0.006 mg/L	0.0003 mg/L	0.0005 mg/L	95.00%	91.66%	0.002 mg/L
Mercurio a pH 8.5	53	0.006 mg/L ± 10%	0.006 mg/L	0.0008 mg/L	0.0015 mg/L	86.66%	75.00%	0.002 mg/L
Atracina	53	0.009 mg/L ± 10%	0.009 mg/L	<0.002 mg/L	<0.002 mg/L	77.77%	77.77%	0.003 mg/L
Benceno	53	0.015 mg/L ± 10%	0.014 mg/L	0.0006 mg/L	0.0011 mg/L	95.71%	92.14%	0.005 mg/L
Carbofurano	53	0.08 mg/L ± 10%	0.081 mg/L	<0.001 mg/L	<0.001 mg/L	98.76%	98.76%	0.04 mg/L
1,4-diclorobenceno	53	0.225 mg/L ± 10%	0.208 mg/L	<0.0005 mg/L	<0.0005 mg/L	99.75%	99.75%	0.075 mg/L
Lindano	53	0.002 mg/L ± 10%	0.002 mg/L	0.00003 mg/L	0.00007 mg/L	98.50%	96.50%	0.0002 mg/L
Toxafeno	53	0.015 mg/L ± 10%	0.015 mg/L	<0.001 mg/L	<0.001 mg/L	93.33%	93.33%	0.003 mg/L
Turbiedad	53	11 ± 1 NTU	10.7 NTU	0.31 NTU	0.49 NTU	97.10%	95.42%	0.5 NTU
Quistes**	53	Mínimo 50,000/L	166,500/L	<1/L	<1/L	>99.99%	>99.99%	>99.95%
Asbesto	53	10 ⁷ hasta 10 ⁸ fibras/L†	155 MF/L	<1 MF/L	<1 MF/L	>99.99%	>99.99%	>99%

**Basado en el uso de oquistes de *Cryptosporidium Parvum* † Fibras mayores a 10 µm en longitud

NOTAS ESPECIALES

- Puede ordenar los cartuchos de filtros de agua Sub-Zero en línea en el sitio subzero.com/store. Si tiene alguna pregunta, comuníquese con la línea de atención al cliente de Sub-Zero al 800-222-7820.
- Reemplace el cartucho del filtro por lo menos cada doce meses. Las zonas con altas concentraciones de sedimentos pueden requerir cambiar el cartucho del filtro con más frecuencia.
- Las instrucciones de instalación y operación, disponibilidad de partes y servicio, y la garantía estándar se incluyen con el producto al enviarlo.
- Reemplace el cartucho del filtro de agua cuando se encienda la luz del indicador del filtro o cuando el aflente de agua sea demasiado bajo. Utilice el cartucho del filtro de agua de repuesto con número de pieza 4204490. Puede encontrar el precio para el filtro de repuesto en subzero.com/store.
- No lo use para agua que no es segura desde el punto de vista microbiológico, o si se desconoce la calidad, sin un sistema de desinfección adecuado instalado antes o después de este sistema.
- Los sistemas certificados para reducción de quistes pueden usarse para agua desinfectada que pudiera contener quistes filtrables.
- Para que el producto se desempeñe según lo previsto, este sistema se debe instalar, operar y mantener, como se establece, y cambiar los filtros cuando sea necesario.
- Tenga en cuenta que, aunque se realizaron pruebas bajo condiciones normales de laboratorio, el rendimiento real puede variar. Los contaminantes u otras sustancias eliminadas o reducidas por este sistema de filtrado de agua no necesariamente se encuentran en su agua.

Resolución de problemas

OPERACIÓN DE LA UNIDAD

Las luces no funcionan o no enfría.

- Compruebe si la unidad está encendida.
- Compruebe que la alimentación eléctrica a la unidad y el interruptor de circuito de la casa estén encendidos.

El refrigerador o el congelador no tienen luz.

- La puerta/cajón tal vez se dejó abierta, lo cual desactivó las luces para eliminar el exceso de calor. Si las luces están apagadas, mantenga cerrados la puerta y/o el cajón durante una hora. Si las luces aún permanecen apagadas, póngase en contacto con el servicio certificado de fábrica de Sub-Zero.
- La luz LED interior la debe cambiar el servicio certificado de fábrica de Sub-Zero.

Hay formación de escarcha, condensación o hielo dentro de la unidad.

- Compruebe si el condensador está limpio.
- Compruebe si la puerta cierra correctamente.
- Compruebe que la puerta o el cajón no hayan quedado abiertos.
- Compruebe que el empaque de la puerta/el cajón no tenga rasgaduras ni roturas. En tal caso, póngase en contacto con el servicio certificado de fábrica de Sub-Zero.
- Si la formación de hielo es muy gruesa, apague la unidad y use un secador de pelo para derretir el hielo. Debe usar el secador de pelo a baja temperatura y mantenerlo en movimiento en todo momento. Una vez que el hielo se derrita, seque el agua con un paño o toalla de papel.

Altas temperaturas, la unidad funciona en exceso o la unidad emite demasiado calor.

- Compruebe si el condensador está limpio.
- Compruebe si la puerta cierra correctamente.
- Compruebe que la puerta o el cajón no hayan quedado abiertos.
- El aumento de la temperatura ambiente puede causar que el compresor funcione durante más tiempo.
- Si la pantalla muestra una temperatura de 38° y 0°, pero no enfría, es posible que la unidad esté en modo de sala de exposición. Póngase en contacto con la línea de atención al cliente de Sub-Zero en el 800-222-7820.

No sale agua del dispensador.

- Espere una hora y pruebe nuevamente el dispensador. Si el problema no se resuelve, comuníquese con la línea de atención al cliente de Sub-Zero al 800-222-7820.

OLOR

- Debe limpiar la unidad antes de utilizarla por primera vez. Esto eliminará todos los olores que hayan quedado atrapados durante el envío.
- Cambie el cartucho de purificación de aire.
- Limpie a fondo la unidad y los estantes.
- Los alimentos descubiertos pueden generar olores que pueden hacer necesaria una limpieza.

Resolución de problemas

PRODUCCIÓN DE HIELO

No sale hielo.

- Compruebe si el indicador de cubos de hielo se visualiza en la pantalla del panel de control.
- Compruebe que el fabricante de hielo haya estado encendido durante 24 horas como mínimo.
- Compruebe que la temperatura del congelador sea próxima a 0°F.
- Compruebe que el contenedor de hielo esté correctamente instalado.
- Compruebe que el brazo del fabricante de hielo se encuentre en la posición hacia abajo.
- Compruebe que la unidad tenga suministro de agua.
- Compruebe que el filtro de agua haya sido reemplazado en los últimos 12 meses y que haya sido instalado correctamente.
- Compruebe que el filtro de agua haya sido extraído o que se esté utilizando un sistema de filtrado por ósmosis inversa.

El hielo tiene color azul o verde.

- Posiblemente haya corrosión en la línea de suministro de cobre. Póngase en contacto con un plomero para limpiarla o cambiarla.

Manchas negras en los cubos de hielo.

- Detenga el uso y póngase en contacto con el servicio certificado de fábrica de Sub-Zero.

Mal sabor.

- Descongele el congelador y límpielo con agua y jabón.
- Coloque granos de café o pedazos de carbón en el congelador para absorber el olor.

Los cubos de hielo están huecos.

- Limpie el condensador. Póngase en contacto con el servicio certificado de fábrica de Sub-Zero si el problema no se resuelve.

SERVICIO

- Para mantener la calidad incorporada en su producto, póngase en contacto con el servicio certificado de fábrica de Sub-Zero. Para obtener los datos del centro de servicio autorizado de Sub-Zero más cercano, consulte la sección de Soporte de productos de nuestro sitio web, subzero.com o llame a la línea de atención al cliente de Sub-Zero al 800-222-7820.
- Al comunicarse con el servicio, necesitará el modelo y número de serie de su unidad. Los dos números también aparecen en la placa de datos del producto. Consulte la página 7 para encontrar la placa de datos.
- Para fines de la garantía, usted también necesitará la fecha de instalación y el nombre de su distribuidor autorizado de Sub-Zero. Esta información debe estar registrada en la página 3.

Garantía limitada residencial de Sub-Zero

PARA USO RESIDENCIAL

GARANTÍA COMPLETA DE DOS AÑOS*

Durante dos años a partir de la fecha de la instalación original, la garantía de su producto Sub-Zero cubre todos los repuestos y mano de obra para reparar o cambiar, bajo el uso residencial normal, cualquier parte del producto que se compruebe estar defectuosa en material o mano de obra. Todos los servicios proporcionados por Sub-Zero bajo la garantía anterior deben ser realizados por servicios certificados de fábrica de Sub-Zero, a menos que Sub-Zero Inc. lo especifique de otra manera. El Servicio se hará durante el horario comercial normal.

GARANTÍA COMPLETA DE CINCO AÑOS SOBRE EL SISTEMA CERRADO

Durante cinco años a partir de la fecha de la instalación original, la garantía de Sub-Zero cubre todos los repuestos y mano de obra para reparar o cambiar, bajo el uso residencial normal, cualquiera de estos componentes que se compruebe estar defectuoso en material o mano de obra: compresor, condensador, evaporador, secador y toda la tubería de conexión. Todos los servicios proporcionados por Sub-Zero bajo la garantía anterior deben ser realizados por servicios certificados de fábrica de Sub-Zero, a menos que Sub-Zero Inc. lo especifique de otra manera. El Servicio se hará durante el horario comercial normal.

GARANTÍA LIMITADA DE DOCE AÑOS SOBRE EL SISTEMA CERRADO

Durante doce años a partir de la fecha de la instalación original, Sub-Zero reparará o cambiará los siguientes componentes que se compruebe están defectuosos en material o mano de obra: compresor, condensador, evaporador, secador y toda la tubería de conexión. Si el propietario usa el servicio certificado de fábrica de Sub-Zero, el prestador del servicio reparará o cambiará estas piezas mediante el pago de todos los demás costos, incluyendo la mano de obra, a cargo del propietario. Si el propietario usa un servicio no certificado, debe ponerse en contacto con Sub-Zero, Inc. (mediante la información anotada más adelante) para recibir los componentes reparados o de reemplazo. Sub-Zero no reembolsará al propietario los importes correspondientes a componentes comprados a un servicio no certificado o a otras fuentes.

TÉRMINOS APLICABLES A CADA GARANTÍA

La garantía se aplica solamente a los productos instalados para uso residencial normal. La garantía se aplica solamente a los productos instalados en cualquiera de los cincuenta estados de Estados Unidos, el Distrito de Columbia o las diez provincias de Canadá. Esta garantía no cubre las partes o mano de obra para corregir cualquier defecto causado por negligencia, accidente o uso, mantenimiento, instalación, servicio o reparación inadecuados.

LOS RECURSOS DESCRITOS ANTERIORMENTE PARA CADA GARANTÍA SON LOS ÚNICOS QUE SUB-ZERO, INC. PROPORCIONARÁ, YA SEA BAJO ESTA GARANTÍA O BAJO CUALQUIER GARANTÍA QUE RESULTE DE LA APLICACIÓN DE LA LEY. SUB-ZERO, INC. NO SE HACE RESPONSABLE POR LOS DAÑOS INDIRECTOS O INCIDENTALES DERIVADOS DEL INCUMPLIMIENTO DE ESTA GARANTÍA O CUALQUIER OTRA GARANTÍA, YA SEA EXPRESA, IMPLÍCITA O LEGAL.

Algunos estados no permiten la exclusión o limitación de daños incidentales o consecuentes, por lo tanto la limitación o exclusión anterior podrían no aplicarse en su caso. Esta garantía le otorga derechos legales específicos y usted también puede tener otros derechos legales que varían entre estados.

Para recibir los repuestos y/o el servicio y el nombre del servicio certificado de fábrica de Sub-Zero más cercano a usted, póngase en contacto con Sub-Zero, Inc., P.O. Box 44848, Madison, WI 53744; Verifique la sección de Soporte de productos de nuestro sitio web, subzero.com, envíenos un correo electrónico a customerservice@subzero.com o llame al 800-222-7820.

*Las puertas, paneles, asas, marcos y superficies internas de acero inoxidable están cubiertas por una garantía limitada de 60 días para repuestos y mano de obra, por defectos cosméticos.

*Los filtros de agua de repuesto y los cartuchos de purificación de agua no están cubiertos por la garantía del producto.



Garantía limitada de los productos para uso al aire libre de Sub-Zero*

PARA USO RESIDENCIAL

GARANTÍA COMPLETA DE UN AÑO**

Durante un año a partir de la fecha de la instalación original, la garantía de su producto Sub-Zero cubre todos los repuestos y mano de obra para reparar o cambiar, bajo el uso residencial normal, cualquier parte del producto que se compruebe estar defectuosa en material o mano de obra. Todos los servicios proporcionados por Sub-Zero bajo la garantía anterior deben ser realizados por servicios certificados de fábrica de Sub-Zero, a menos que Sub-Zero Inc. lo especifique de otra manera. El Servicio se hará durante el horario comercial normal.

GARANTÍA COMPLETA DE CINCO AÑOS SOBRE EL SISTEMA CERRADO

Durante cinco años a partir de la fecha de la instalación original la garantía de Sub-Zero cubre todos los repuestos y mano de obra para reparar o cambiar, bajo el uso residencial normal, cualquiera de estos componentes que se compruebe estar defectuoso en material o mano de obra: compresor, condensador, evaporador, secador y toda la tubería de conexión. Todos los servicios proporcionados por Sub-Zero bajo la garantía anterior deben ser realizados por servicios certificados de fábrica de Sub-Zero, a menos que Sub-Zero Inc. lo especifique de otra manera. El Servicio se hará durante el horario comercial normal.

TÉRMINOS APLICABLES A CADA GARANTÍA

La garantía se aplica solamente a los productos instalados para uso residencial normal. La garantía se aplica solamente a los productos instalados en cualquiera de los cincuenta estados de los Estados Unidos, el Distrito de Columbia o las diez provincias de Canadá. Esta garantía no cubre las partes o mano de obra para corregir cualquier defecto causado por negligencia, accidente o uso, mantenimiento, instalación, servicio o reparación inadecuados.

LOS RECURSOS DESCRITOS ANTERIORMENTE PARA CADA GARANTÍA SON LOS ÚNICOS QUE SUB-ZERO, INC. PROPORCIONARÁ, YA SEA BAJO ESTA GARANTÍA O BAJO CUALQUIER GARANTÍA QUE RESULTE DE LA APLICACIÓN DE LA LEY. SUB-ZERO, INC. NO SE HACE RESPONSABLE POR LOS DAÑOS INDIRECTOS O INCIDENTALES DERIVADOS DEL INCUMPLIMIENTO DE ESTA GARANTÍA O CUALQUIER OTRA GARANTÍA, YA SEA EXPRESA, IMPLÍCITA O LEGAL.

Algunos estados no permiten la exclusión o limitación de daños incidentales o consecuentes, por lo tanto la limitación o exclusión anterior podrían no aplicarse en su caso. Esta garantía le otorga derechos legales específicos, y usted también puede tener otros derechos legales que varían entre estados.

Para recibir los repuestos y/o el servicio y el nombre del servicio certificado de fábrica de Sub-Zero más cercano a usted, póngase en contacto con Sub-Zero, Inc., P.O. Box 44848, Madison, WI 53744; Verifique la sección de Soporte de productos de nuestro sitio web, subzero.com, envíenos un correo electrónico a customerservice@subzero.com o llame al 800-222-7820.

*El producto debe estar aprobado para uso al aire libre, designado por modelo y número de serie.

**Las puertas, paneles, manijas, estructuras de acero inoxidable y superficies internas están cubiertas por una garantía limitada de 60 días sobre piezas y mano de obra, por defectos cosméticos.

**Los filtros de agua de repuesto no están cubiertos por la garantía del producto.



Table des matières

3	Réfrigération série designer
4	Précautions de sécurité
6	Caractéristiques de la série designer
8	Commandes interactives
9	Rangement
14	Fonctionnement
18	Conseils d'entretien
19	Données sur le système de filtration d'eau
20	Dépannage
22	Garanties de Sub-Zero

Service à la clientèle

Le numéro de modèle et le numéro de série sont imprimés sur la fiche d'enregistrement du produit ci-jointe. Les deux numéros sont aussi indiqués sur la plaque signalétique du produit. Reportez-vous à la page 7 pour connaître l'emplacement de la plaque signalétique. Pour les besoins de la garantie, vous devez aussi avoir la date d'installation et le nom de votre dépositaire Sub-Zero autorisé. Inscrivez ces renseignements ci-dessous pour consultation ultérieure.

RENSEIGNEMENTS SUR LE SERVICE

Numéro de modèle

Numéro de série

Date de l'installation

Nom du service certifié

Numéro du service certifié

Dépositaire autorisé

Numéro du dépositaire

Si votre produit a besoin d'être réparé, assurez-vous d'utiliser un fournisseur de service certifié par l'usine Sub-Zero recommandé par notre centre de service à la clientèle, ou sélectionnez-en un parmi la liste de fournisseurs disponibles à subzero.com/locator. Tous les fournisseurs de service certifiés par l'usine sont soigneusement sélectionnés et rigoureusement formés par nous.

Remarque importante

Pour s'assurer que ce produit est installé et utilisé en toute sécurité et aussi efficacement que possible, prenez note des types de renseignements mis en évidence tout au long de ce guide :

REMARQUE IMPORTANTE met en évidence des renseignements qui sont particulièrement importants.

MISE EN GARDE indique une situation où une blessure mineure ou des dommages au produit peuvent se produire si les directives ne sont pas respectées.

AVERTISSEMENT décrit un danger qui peut causer une blessure grave ou la mort si les précautions ne sont pas respectées.

REMARQUE IMPORTANTE : Tout au long de ce guide, les dimensions entre parenthèses sont en millimètres à moins d'indication contraire.

DIRECTIVES IMPORTANTES

▲ AVERTISSEMENT

Ne stockez pas de substances explosives telles que des bombes aérosols avec un propulseur inflammable dans cet appareil.

▲ AVERTISSEMENT

Gardez les ouvertures de ventilation, dans le boîtier de l'appareil ou dans la structure intégrée, libres de toute obstruction.

▲ AVERTISSEMENT

N'utilisez pas d'appareils mécaniques ou d'autres moyens pour accélérer le processus de dégivrage, autres que ceux recommandés par le fabricant.

▲ AVERTISSEMENT

N'exposez pas cet appareil à la pluie.

▲ AVERTISSEMENT

Cet appareil contient du réfrigérant inflammable et doit être manipulé, installé, entretenu et mis hors service par du personnel autorisé. Une fois mis hors service, consultez les autorités locales pour les instructions d'élimination.

▲ AVERTISSEMENT



Ce symbole indique un risque d'incendie /de matières inflammables.

▲ AVERTISSEMENT

Cet appareil est uniquement destiné à un usage résidentiel.

▲ MISE EN GARDE

Les machines à glaçons incorporées doivent être installées par le fabricant ou son agent de service.

▲ AVERTISSEMENT

N'endommagez pas le circuit frigorifique.

▲ AVERTISSEMENT

N'utilisez pas d'appareils électriques à l'intérieur des compartiments de stockage des aliments de l'appareil, sauf s'ils sont du type recommandé par le fabricant.

▲ AVERTISSEMENT

Cet appareil n'est pas destiné à être utilisé par des personnes (y compris des enfants) ayant des capacités physiques, sensorielles ou mentales réduites, ou un manque d'expérience et de connaissances, sauf si elles ont reçu une supervision ou des instructions concernant l'utilisation de l'appareil par une personne responsable de leur sécurité. Les enfants doivent être surveillés pour s'assurer qu'ils ne jouent pas avec l'appareil.

DIRECTIVES IMPORTANTES

▲ AVERTISSEMENT

DANGER: Risque de coincement de l'enfant.
Avant de jeter votre ancien réfrigérateur ou congélateur:

- Enlevez les portes.
- Laissez les étagères et les séparateurs de tiroir en place afin que les enfants ne puissent pas facilement grimper à l'intérieur.

▲ AVERTISSEMENT

PROPOSITION 65 POUR RESIDENTS DE LA CALIFORNIE

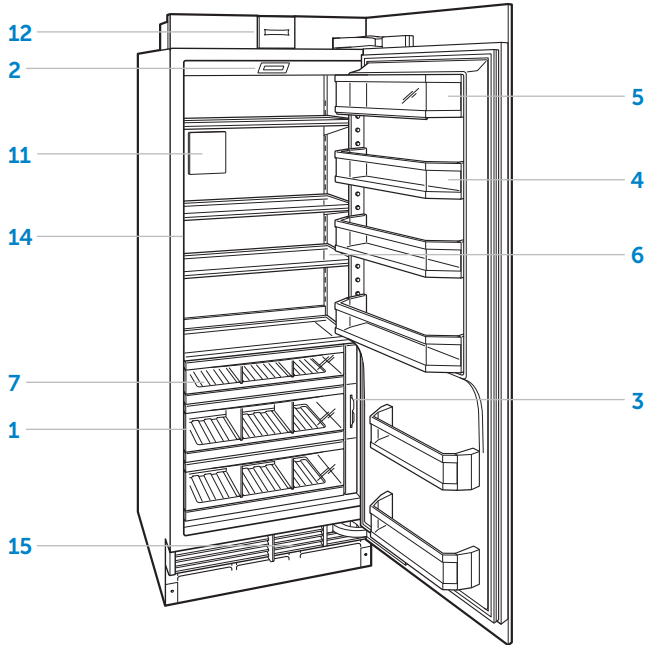
Cancer et Troubles de l'appareil reproducteur
—www.P65Warnings.ca.gov

Caractéristiques de la série designer

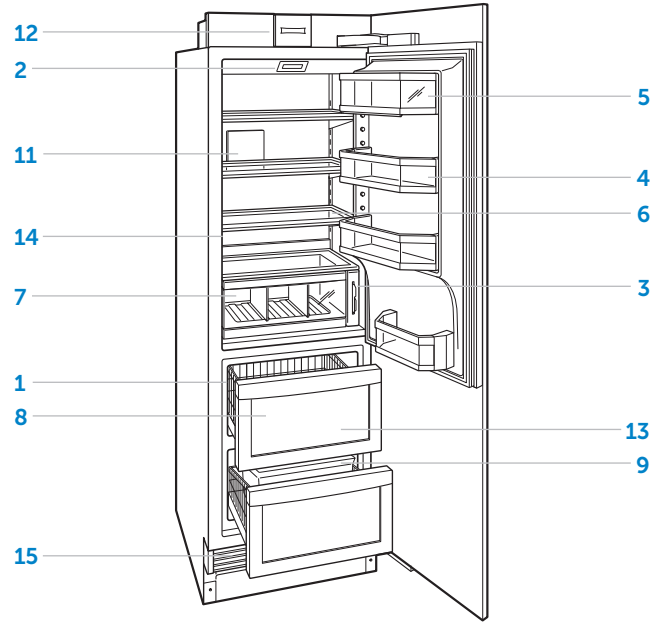
CARACTÉRISTIQUES

- | | |
|-----------|---|
| 1 | Plaque signalétique du produit |
| 2 | Panneau de commande interactif |
| 3 | Fiches de fraîcheur |
| 4 | Balconnets |
| 5 | Compartiment à produits laitiers |
| 6 | Tablettes en verre |
| 7 | Tiroirs du réfrigérateur |
| 8 | Panier du congélateur |
| 9 | Contenant à glace |
| 10 | Tiroirs de rangement |
| 11 | Système de purification d'air |
| 12 | Système de filtration d'eau |
| 13 | Machine à glaçons automatique |
| 14 | Distributeur d'eau (modèles à distributeur) |
| 15 | Condensateur (derrière la grille) |

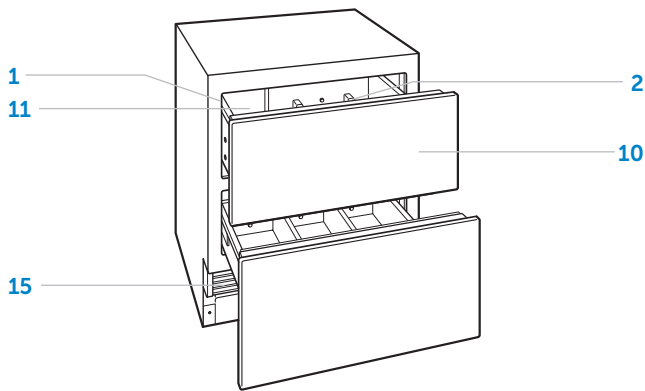
Caractéristiques de la série designer



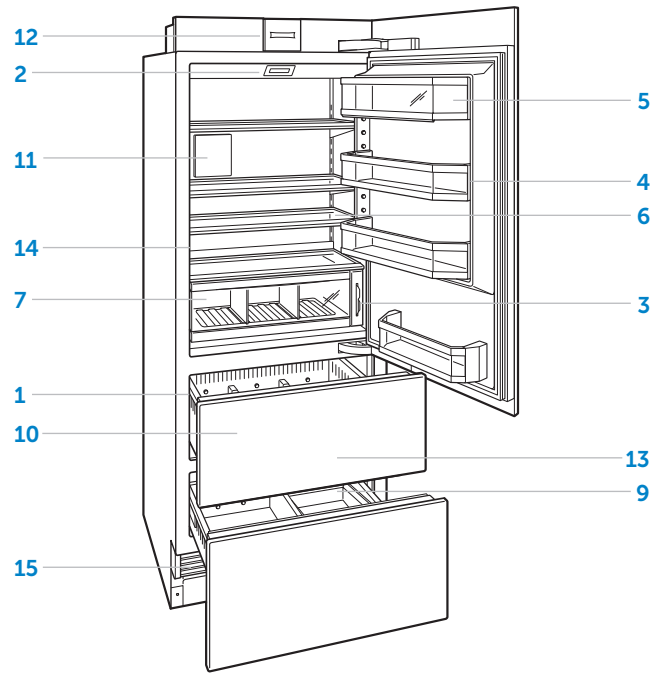
Réfrigérateur en colonne uniquement



Combiné en colonne



Réfrigérateur à tiroirs uniquement



Combiné en hauteur

Panneau de commande interactif

Pour le démarrage initial, touchez et tenez la touche « power » sur le panneau de commande pendant deux secondes.

La température peut être réglée dans des incréments d'un degré sur l'écran d'accueil. Les unités combinées ont des commandes de température séparées pour le réfrigérateur et le congélateur. Les températures sont préréglées à 38 °F (3 °C) et 0 °F (-18 °C). Pour modifier la température, touchez à la température à modifier, puis appuyez sur + ou – jusqu'à ce que la température désirée soit affichée. Reportez-vous à l'illustration ci-dessous.

Une fois la température réglée, d'autres fonctions peuvent être activées ou désactivées à partir de l'écran d'options. Touchez à ► pour voir l'écran d'options. Reportez-vous à l'illustration ci-dessous.








Écran d'accueil












Écran d'options

ÉCRAN D'OPTIONS

-  Touchez pour activer ou désactiver la machine à glaçons et la fonction maximum de glaçons.
-  Touchez pour activer ou désactiver l'alarme de porte/ tiroir.
-  Touchez pour activer ou désactiver le distributeur d'eau.
-  Touchez pour activer ou désactiver le système de purification d'air.
-  Touchez pour voir l'écran de réglages.

ÉCRAN DE RÉGLAGES

-  Touchez pour voir les renseignements sur le modèle.
-  Touchez pour sélectionner l'unité de température, Fahrenheit ou Celsius.
-  Touchez pour régler la luminosité et le contraste du panneau de commande.
-  Touchez pour régler le volume et la tonie de l'alarme de la porte/du tiroir.
-  Touchez pour régler la durée de l'alarme de la porte/du tiroir.
-  Touchez pour accéder au mode Shabbath.
-  Touchez pour voir les renseignements sur le dépannage et le service.
-  Touchez pour régler l'horloge.
-  Touchez pour activer ou désactiver la connexion.
-  Touchez pour sélectionner les options de langue.
-  Touchez pour régler l'éclairage doux.

Garder la nourriture à son meilleur

Ce Sub-Zero est muni d'un système de réfrigération double unique pour garder les aliments frais plus longtemps.

Avec le système de réfrigération double Sub-Zero, les systèmes de réfrigération et de congélation individuels ont été conçus pour maintenir des températures précises, constantes et des niveaux d'humidité appropriés pour une durée de vie plus longue des aliments. La réfrigération double élimine le transfert des odeurs d'aliments frais aux aliments congelés et aux glaçons et ne gèle pas l'humidité dans l'air dans la section des aliments frais.

Pour obtenir des conseils pratiques et des renseignements sur la façon de maximiser la fraîcheur des aliments, reportez-vous aux fiches de fraîcheur se trouvant dans le réfrigérateur.

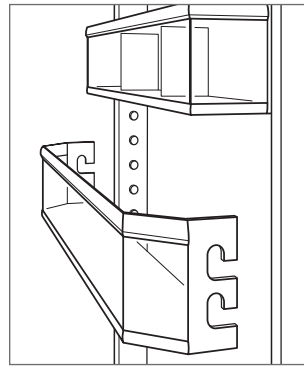
Entreposage dans le réfrigérateur

BALCONNETS

Pour repositionner une étagère de porte ou un compartiment laitier:

- 1 Pour le retirer, soulevez l'étagère par le bas et faites-la glisser. Reportez-vous à l'illustration ci-dessous.
- 2 Pour réinstaller, placez-le dans la position souhaitée et faites glisser la tablette vers le bas sur les guides.

REMARQUE IMPORTANTE : si l'ouverture de la porte est limitée à 90°, les balconnets peuvent devoir être retirés avant d'enlever un tiroir de rangement ou une tablette en verre.



Retrait d'un balconnet

Entreposage dans le réfrigérateur

TABLETTES EN VERRE

Pour repositionner une étagère en verre:

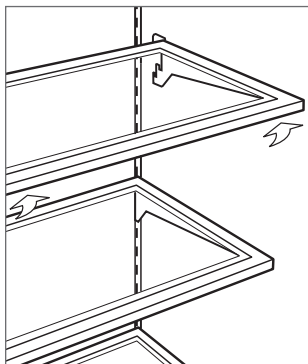
- 1 Pour le retirer, inclinez la tablette vers le haut, puis soulevez-la et retirez-la. Reportez-vous à l'illustration ci-dessous.
- 2 Pour réinstaller, insérez l'étagère dans les rails le long du mur arrière, puis abaissez l'avant jusqu'à ce qu'il se verrouille en position.

La tablette en verre stationnaire au fond du compartiment doit être placée en gardant le rebord biseauté vers l'avant. Les pieds de soutien arrière gardent la tablette loin de la paroi arrière pour assurer un débit d'air approprié dans l'unité.

REMARQUE IMPORTANTE : faites attention lors de la manipulation des tablettes en verre pour éviter de les briser ou d'égratigner l'intérieur.

▲ MISE EN GARDE

Les tablettes en verre doivent être réchauffées jusqu'à la température de la pièce avant de les immerger dans de l'eau chaude.



Retrait d'une tablette en verre

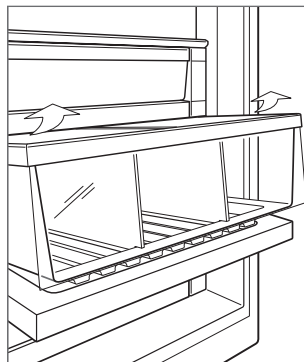
TIROIRS DU RÉFRIGÉRATEUR

Pour retirer/réinstaller un tiroir de réfrigérateur:

- 1 Pour le retirer, tirez le tiroir jusqu'à ce qu'il s'arrête. Soulevez légèrement l'avant du tiroir et tirez-le vers vous. Reportez-vous à l'illustration ci-dessous.
- 2 Pour réinstaller, tirez le support du tiroir et alignez le bas du tiroir avec le support. Remettez le tiroir en place.

Pour repositionner un séparateur de tiroir de réfrigérateur:

- 1 Pour retirer, tirez le séparateur vers le haut.
- 2 Pour réinstaller, alignez les languettes du séparateur avec les encoches le tiroir et poussez vers le bas.



Retrait d'un tiroir du réfrigérateur

Tiroirs de rangement

COUVERCLE DU BAC À LÉGUMES

Le couvercle du bac à légumes dans le tiroir de rangement supérieur peut être glissé pour le fermer ou laissé ouvert.

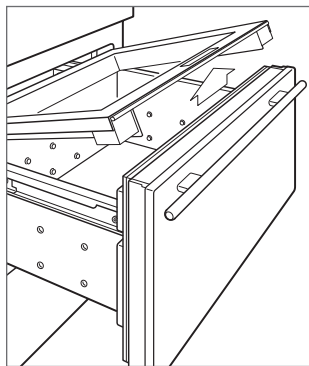
Pour retirer le couvercle du bac à légumes:

- 1 Tirez complètement le tiroir de rangement supérieur.
- 2 Soulevez le bord avant du couvercle du bac à légumes et tirez-le vers l'avant et hors du tiroir. Reportez-vous à l'illustration ci-dessous.

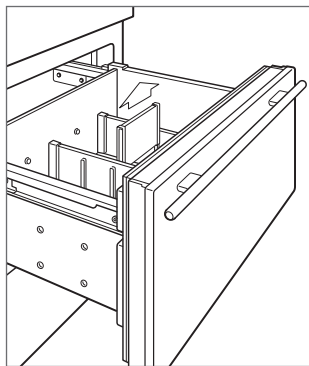
SÉPARATEURS DE TIROIR

Pour repositionner un séparateur de tiroir:

- 1 Pour retirer un diviseur court, fléchissez légèrement le diviseur long, puis tirez vers le haut. Reportez-vous à l'illustration ci-dessous.
- 2 Pour les modèles à tiroirs de 36 po de largeur seulement, un long séparateur est réglable. Pour retirer un long séparateur, tous les séparateurs courts doivent être retirés. Tirez le long séparateur vers le haut jusqu'à ce qu'il s'arrête, tournez dans le sens antihoraire, puis tirez vers le haut.
- 3 Pour réinstaller un long séparateur, alignez les rainures avec les languettes du tiroir, tournez-le dans le sens des aiguilles d'une montre, puis faites-le glisser vers le bas.
- 4 Pour réinstaller un petit séparateur, positionnez-le comme vous le souhaitez, puis glisse vers le bas.



Couvercle du bac à légumes



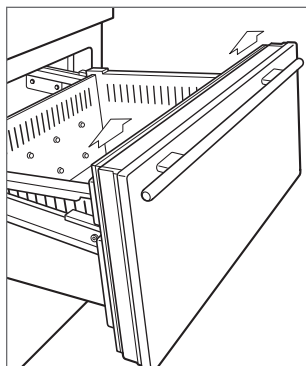
Séparateurs de tiroir

RETRAIT D'UN TIROIR

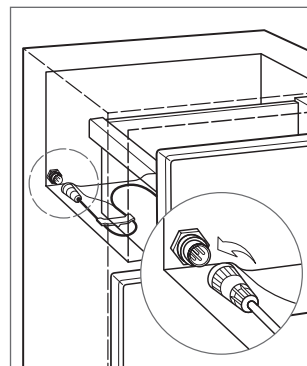
Pour retirer/réinstaller un tiroir de stockage:

- 1 Pour le retirer, tirez le tiroir jusqu'à ce qu'il s'arrête. Soulevez légèrement l'avant du tiroir et tirez-le tout droit. Reportez-vous à l'illustration ci-dessous.
- 2 Pour réinstaller, soulevez l'avant du tiroir et placez-le sur les glissières. Alignez l'arrière du tiroir avec les crochets de la glissière, puis alignez les chevilles blanches à l'avant de la glissière avec les trous à l'avant du tiroir.

REMARQUE IMPORTANTE : pour les modèles à tiroirs, le tiroir supérieur est muni d'un câble de contrôle qui doit être débranché avant de retirer ce tiroir. Reportez-vous à l'illustration ci-dessous.



Retrait d'un tiroir



Câble de contrôle (modèles à tiroirs)

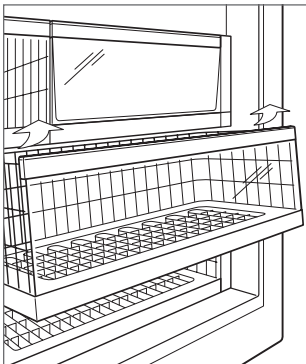
Entreposage dans le congélateur

PANIER DU CONGÉLATEUR

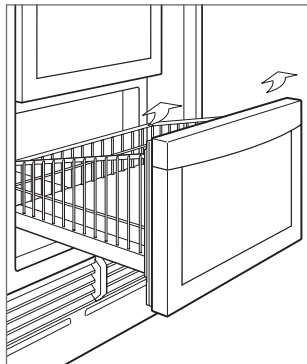
Pour retirer un panier de congélation:

- 1 Tirez le panier jusqu'à ce qu'il s'arrête.
- 2 Tirez les deux languettes en plastique situées derrière les deux coins inférieurs du panier vers l'avant, puis soulevez et sortez. Reportez-vous aux illustrations ci-dessous.

Si l'ouverture de la porte est limitée à 90°, le panier supérieur doit être retiré avant de retirer le panier du milieu ou du bas.



Retrait d'un panier du congélateur



Panier de congélateur pour combinaison en colonne

Pour réinstaller un panier de congélation (modèle à colonne):


- 1 Poussez les glissières du panier.
- 2 Alignez le panier avec les glissières et poussez jusqu'à ce qu'il s'arrête.
- 3 Appuyez sur l'avant du panier pour engager les glissières.

Pour réinstaller un panier de congélation (modèle à combinaison de colonnes):

- 1 Déployez complètement les glissières du panier.
- 2 Alignez le panier avec les glissières et poussez vers l'arrière jusqu'à ce que l'arrière du panier touche les languettes des glissières.
- 3 Poussez vers l'arrière et vers le bas à l'avant du panier pour engager les languettes.

Entreposage dans le congélateur

CONTENANT À GLACE

La machine à glaçon doit être éteinte en touchant à  lorsque le contenant à glace est retiré. L'unité est munie d'un délai de trois minutes lorsque le contenant à glace est retiré pour s'assurer que des cubes ne soient pas expulsés avant que la machine à glaçons ne soit désactivée ou le contenant à glace remis en place.

Pour retirer le bac à glaçons (modèle à colonne):

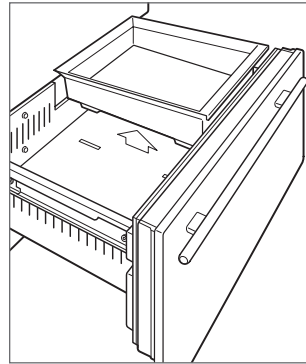
- 1 Tirez le panier du congélateur jusqu'à ce qu'il s'arrête.
- 2 Soulevez le récipient. Reportez-vous à l'illustration ci-dessous.

Pour retirer le bac à glaçons (modèle combiné à colonnes):

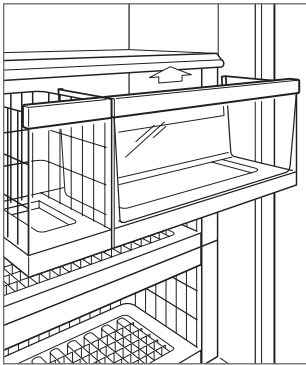
- 1 Tirez le panier du congélateur jusqu'à ce qu'il s'arrête.
- 2 Inclinez légèrement le conteneur pour le soulever. Reportez-vous à l'illustration ci-dessous.

Pour retirer le bac à glaçons (modèles haut et tiroir):

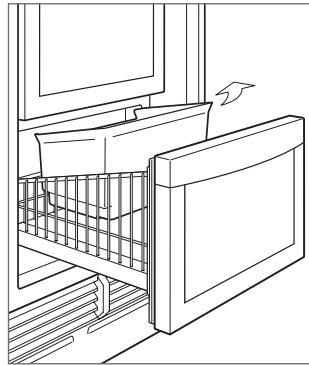
- 1 Tirez le panier du congélateur jusqu'à ce qu'il s'arrête.
- 2 Soulevez le récipient. Reportez-vous à l'illustration ci-dessous.



Contenant à glace pour modèles en hauteur et à tiroirs



Contenant à glace pour modèles en colonne



Contenant à glace pour combinaison en colonne

Système de purification d'air

De nombreux aliments frais émettent du gaz éthylène, un composé naturel qui accélère la maturation et la détérioration des aliments. Si votre unité est munie d'un système de purification d'air, la cartouche est installée en usine et située sur la paroi arrière du réfrigérateur (arrière du tiroir supérieur pour les modèles à tiroirs).

Pour initier la purification de l'air, touchez à  sur l'écran d'options.

▲ MISE EN GARDE

Le système de purification d'air se conforme aux exigences fédérales applicables concernant l'exposition accidentelle au rayonnement ultraviolet. La lampe contient du mercure. Manipulez conformément avec les lois d'élimination. Visitez earth911.com ou composez 800-222-7820.

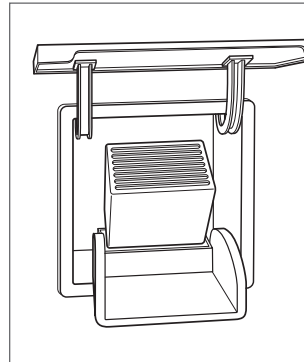
CARTOUCHE DE PURIFICATION D'AIR

La cartouche durera approximativement un an. Le message « Change Air Purifier » apparaîtra sur le panneau de commande lorsque la cartouche doit être remplacée. Touchez à « Snooze » pour faire réapparaître le rappel dans 24 heures ou jusqu'à ce que la cartouche puisse être remplacée.

Des cartouches de purification d'air Sub-Zero peuvent être commandées en ligne à subzero.com/store. Pour toute question, communiquez avec le service à la clientèle Sub-Zero au 800-222-7820.

Pour remplacer la cartouche de purification d'air:

- 1 Pour accéder à la cartouche de purification d'air, agrippez le couvercle extérieur du fond et pivotez vers le haut. Reportez-vous aux illustrations ci-dessous.
- 2 Agrippez le couvercle noir du dessus et pivotez vers le bas. La cartouche sortira et peut alors être retirée.
- 3 Retirez la nouvelle cartouche de l'emballage et insérez en pointant le connecteur vers le bas.
- 4 Une fois en position, fermez le couvercle noir. Ensuite, pivotez le couvercle extérieur vers le bas.
- 5 Une fois la nouvelle cartouche remplacée, suivez les directives affichées sur le panneau de commande. Le cycle de vie de la cartouche se réinitialisera pour une durée d'environ un an.



Cartouche de purification d'air

Système de filtration d'eau

Le système de filtration d'eau des modèles intégrés de Sub-Zero fournit de l'eau filtrée à la machine à glaçons et au distributeur d'eau (modèles avec distributeur) pour produire de l'eau et de la glace qui ont bon goût.

REMARQUE IMPORTANTE : lorsque vous utilisez le système de filtration d'eau pour la première fois, il est nécessaire d'éliminer tout air du système et de laisser le filtre faciliter le nettoyage des conduites d'eau. Pour les modèles sans distributeur, jetez les deux premiers contenants pleins de glaçons. Pour les modèles à distributeur, faites couler plusieurs verres d'eau pendant une période de deux minutes.

Si le système de filtration d'eau ne sera pas utilisé, il peut être mis en mode de dérivation du filtre à eau en retirant le filtre.

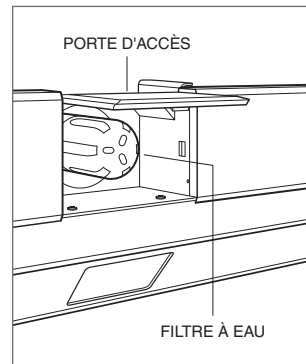
FILTRE À EAU

Le filtre est qualifié pour 750 gallons (2 839 l) ou un an, le premier des deux prévalant. Le message « Change Water Filter » apparaîtra sur le panneau de commande lorsque la cartouche doit être remplacée. Touchez à « Snooze » pour faire réapparaître le rappel dans 24 heures ou jusqu'à ce que le filtre puisse être remplacé.

Des filtres à eau de rechange Sub-Zero peuvent être commandés en ligne à subzero.com/store. Pour toute question, communiquez avec le service à la clientèle Sub-Zero au 800-222-7820.

Pour remplacer le filtre à eau:



- 1 Pour accéder au filtre à eau, tirez sur le rebord inférieur de la porte d'accès et pivotez vers le haut. Reportez-vous à l'illustration ci-dessous.
- 2 Pour retirer l'ancienne cartouche, pivotez-la dans le sens antihoraire d'un quart de tour et tirez vers l'extérieur. Il est normal qu'une petite quantité d'eau s'écoule lorsque le filtre est retiré. Elle doit être essuyée avec une serviette en papier ou un chiffon.
- 3 Retirez le nouveau filtre de l'emballage et retirez le capuchon en plastique.
- 4 Insérez le nouveau filtre dans le collecteur et tournez dans le sens horaire.
- 5 Une fois le nouveau filtre installé, suivez les directives affichées sur le panneau de commande. Le cycle de vie du filtre se réinitialisera pour une durée d'environ un an.



Retrait du filtre à eau

Machine à glaçons

Pour faire fonctionner la machine à glaçons:

- 1 Pour activer la machine à glaçons, touchez  sur l'écran d'options. Un seul cube en surbrillance indique que la machine à glaçons est active. Trois cubes en surbrillance indiquent que la fonction de glace maximale est active.
- 2 Pour désactiver la machine à glaçons, touchez  jusqu'à ce qu'aucun cube ne soit mis en surbrillance.

Après le démarrage initial, jetez les premiers lots de glace. La glace peut contenir des impuretés provenant de nouveaux raccordements de plomberie.

Max ice augmente la production de glace jusqu'à 30% sur une période de 24 heures. Pendant cette période, certains composants peuvent fonctionner à une vitesse plus élevée, ce qui entraîne une tonalité audible unique. Ceci est typique et reviendra après 24 heures ou lorsque le bac à glaçons est plein.

Si la glace n'est pas utilisée régulièrement, elle peut fondre ensemble. Pour éviter, jetez la glace et laissez la machine à glaçons se reconstituer.

Désactivez la machine à glaçons si le bac à glaçons est retiré pendant une période prolongée. L'unité est équipée d'un délai de trois minutes après le retrait du bac à glaçons, pour garantir que les cubes ne sont pas éjectés avant la désactivation de la machine à glaçons ou la réinstallation du bac à glaçons.

Distributeur d'eau

Le distributeur d'eau est situé à l'intérieur du réfrigérateur sur le mur gauche. Reportez-vous à l'illustration ci-dessous.

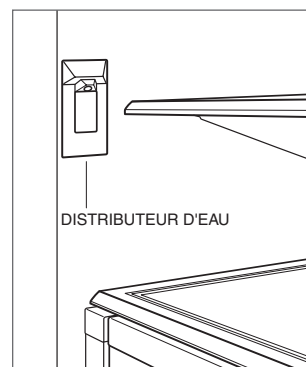
Pour distribuer de l'eau:

- 1 Appuyez un verre contre le distributeur pour activer le débit d'eau.
- 2 Le débit d'eau s'arrêtera lorsque le verre sera retiré.

Le réservoir d'eau refroidie contient environ 32 oz (1 l) d'eau filtrée. Il faudra compter plusieurs heures pour refroidir l'eau à la température du réfrigérateur pendant le remplissage original ou après la distribution d'une grande quantité d'eau.

Pour remplir le réservoir d'eau:

- 1 Appuyez un verre contre le distributeur jusqu'à ce que l'eau commence à couler. Un dispositif de sécurité est incorporé dans le distributeur pour limiter le débit d'eau continu à 60 secondes.
- 2 Si l'eau ne s'écoule pas dans les 60 secondes, retirez le verre, puis appliquez de nouveau dans le distributeur jusqu'à ce que l'eau commence à couler.
- 3 Une fois le réservoir plein, jetez les premiers verres d'eau. Il peut contenir des impuretés provenant de nouveaux raccordements de plomberie.




Distributeur d'eau

Shabbath

Cet appareil est certifié par Star-K pour répondre à des règlements religieux rigoureux relativement à des directives précises se trouvant sur www.star-k.org.

Pour lancer le mode Shabbath:

- 1 Depuis l'écran des paramètres, touchez .
- 2 Suivez les instructions sur le panneau de commande.

Connectez cet appareil

Connectez cet appareil pour le surveiller et le contrôler à distance. La connexion nécessite un routeur sans fil, une connexion Internet avec un nom de réseau et un mot de passe, et un appareil mobile compatible. Il n'y a pas de limite au nombre d'appareils que vous pouvez connecter à un compte. Connectez les produits de plusieurs foyers au même compte. La connexion des appareils est facultative.

- 1 Téléchargez l'application gratuite du propriétaire du groupe Sub-Zero sur l'App Store d'Apple ou sur Google Play.
- 2 Avec Bluetooth activé sur l'appareil, placez-vous à quelques mètres de l'appareil, ouvrez l'application et suivez les instructions à l'écran.
- 3 Identifiez-vous ou créez un compte.
- 4 Appuyez sur Ajouter un appareil ou appuyez sur + en haut à droite de l'écran pour ajouter des appareils. Pour identifier l'appareil à associer, ouvrez la porte de l'appareil.
- 5 Appuyez sur + à côté de l'appareil pour le sélectionner. Si des appareils identiques apparaissent, une étape supplémentaire identifie l'appareil à associer.
- 6 Appuyez sur Jumeler via Bluetooth. Attendez que la configuration soit terminée, puis appuyez sur Configurer votre appareil pour l'appairage.
- 7 Appuyez sur Choisir un réseau sur l'écran Connecter votre appareil au Wi-Fi.
- 8 Sélectionnez le réseau Wi-Fi domestique et entrez le mot de passe du réseau.
- 9 Appuyez sur Activer les notifications pour autoriser les notifications sur l'appareil (par exemple, porte laissée entrouverte).
- 10 Appuyez sur Terminé sur l'écran de réussite pour terminer la configuration.

Nettoyage

EXTÉRIEUR EN ACIER INOXYDABLE

Utilisez un nettoyant non abrasif pour l'acier inoxydable et appliquez-le avec un chiffon doux non pelucheux. Pour faire ressortir le lustre naturel, essuyez légèrement la surface avec un chiffon en microfibres humecté d'eau suivi d'un chamois à polir sec. Suivez toujours le grain de l'acier inoxydable.

NETTOYAGE INTÉRIEUR

Pour nettoyer les surfaces intérieures et toutes les pièces amovibles, lavez avec une solution douce de savon, d'eau et de bicarbonate de soude. Rincez et séchez à fond. Évitez de mettre de l'eau sur les lumières et le panneau de commande.

⚠ MISE EN GARDE

N'utilisez pas du vinaigre, de l'alcool à friction ou d'autres nettoyants à base d'alcool sur toute surface intérieure.

VACANCES

Pour des vacances prolongées, coupez l'alimentation sur le panneau de commande. Videz l'unité et bloquez les portes en position légèrement ouverte pour laisser de l'air frais circuler et garder l'intérieur sec. Le filtre à eau doit être remplacé avant la mise en marche.

NETTOYAGE DU CONDENSATEUR

⚠ MISE EN GARDE

Avant de nettoyer le condensateur, coupez l'alimentation sur le panneau de commande. Portez des gants pour éviter toute blessure causée par les ailettes tranchantes du condensateur.

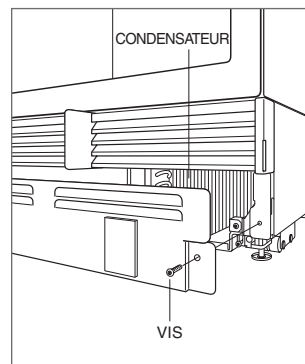
Le condensateur est situé derrière la grille. Nettoyez le condenseur tous les 6 à 12 mois.

Pour nettoyer le condenseur:

- 1 Coupez l'alimentation sur le panneau de commande.
- 2 Retirez la plaque de protection en retirant les deux vis de montage. Reportez-vous à l'illustration ci-dessous.
- 3 Utilisez une brosse à poils doux et un aspirateur pour éliminer la poussière et les peluches du condenseur. Pour éviter d'endommager les ailettes du condenseur, passez l'aspirateur en direction des ailettes.

⚠ MISE EN GARDE

L'omission de nettoyer le condensateur pourrait entraîner une perte de température, une défaillance mécanique ou des dommages.



Emplacement du condensateur

Données sur le système de filtration d'eau Sub-Zero

CARTOUCHE DE RECHANGE (4204490)



Testé et certifié par la NSF International comme étant conforme à la norme 42 de la NSF/ANSI (institut national américain de normalisation) pour la réduction du goût et de l'odeur du chlore, des particules de catégorie I et conforme à la norme 53 de la NSF/ANSI pour la réduction du plomb, du mercure, de l'atrazine, du benzène, du carbofurane, du 1,4-dichlorobenzène, du lindane, du toxaphène, de la turbidité, des spores et de l'amiante.

Ce système a été testé conformément aux normes 42/53 de la NSF/ANSI pour la réduction des substances indiquées ci-dessous. La concentration des substances indiquées dans l'eau entrant dans le système a été réduite à une concentration inférieure ou égale à la limite permise pour l'eau quittant le système, comme il est précisé dans les normes 42/53 NSF/ANSI.

SPÉCIFICATIONS DE FONCTIONNEMENT

Capacité : certifié pour jusqu'à 750 gallons (2 838 l); jusqu'à douze mois
 Exigence de pression : 35–120 lb/po² (2,8–8,2 bars)
 Température : 33–100 °F (0,6–38 °C)
 Vitesse de filtration : 0,78 gal/min (2,9 l/min)

Substance	Norme NSF	Concentration influente d'amorce	Concentration influente moyenne	Concentration en eau du produit		% de réduction		Concentration maximale d'eau du produit permise
				Moyenne	Effluente max.	Moyen	Minimum	
Chlore, goût et odeur	42	2,0 mg/l ± 10 %	1,88 mg/l	0,05 mg/l	0,06 mg/l	97,34 %	96,80 %	≥ 50 %
Taille des particules	42	Au moins 10 000 particules/ml	5 700 000/ml	30 583/ml	69 000/ml	99,46 %	98,78 %	≥ 85 %
Plomb à pH de 6,5	53	0,15 mg/l ± 10 %	0,153 mg/l	<0,001 mg/l	<0,001 mg/l	99,34 %	99,34 %	0,010 mg/l
Plomb à pH de 8,5	53	0,15 mg/l ± 10 %	0,150 mg/l	<0,001 mg/l	<0,001 mg/l	99,33 %	99,33 %	0,010 mg/l
Mercure à pH de 6,5	53	0,006 mg/l ± 10 %	0,006 mg/l	0,0003 mg/l	0,0005 mg/l	95,00 %	91,66 %	0,002 mg/l
Mercure à pH de 8,5	53	0,006 mg/l ± 10 %	0,006 mg/l	0,0008 mg/l	0,0015 mg/l	86,66 %	75,00 %	0,002 mg/l
Atrazine	53	0,009 mg/l ± 10 %	0,009 mg/l	<0,002 mg/l	<0,002 mg/l	77,77 %	77,77 %	0,003 mg/l
Benzène	53	0,015 mg/l ± 10 %	0,014 mg/l	0,0006 mg/l	0,0011 mg/l	95,71 %	92,14 %	0,005 mg/l
Carbofurane	53	0,08 mg/l ± 10 %	0,081 mg/l	<0,001 mg/l	<0,001 mg/l	98,76 %	98,76 %	0,04 mg/l
1,4-dichlorobenzène	53	0,225 mg/l ± 10 %	0,208 mg/l	<0,0005 mg/l	<0,0005 mg/l	99,75 %	99,75 %	0,075 mg/l
Lindane	53	0,002 mg/l ± 10 %	0,002 mg/l	0,00003 mg/l	0,00007 mg/l	98,50 %	96,50 %	0,0002 mg/l
Toxaphène	53	0,015 mg/l ± 10 %	0,015 mg/l	<0,001 mg/l	<0,001 mg/l	93,33 %	93,33 %	0,003 mg/l
Turbidité	53	11 ± 1 uTN	10,7 uTN	0,31 uTN	0,49 uTN	97,10 %	95,42 %	0,5 uTN
Spores**	53	Minimum de 50 000/l	166 500/l	<1/l	<1/l	≥99,99 %	≥99,99 %	≥99,95 %
Amiante	53	10 ⁷ à 10 ⁸ fibres/l†	155 MF/l	<1 MF/l	<1 MF/l	≥99,99 %	≥99,99 %	≥99 %

**Selon l'utilisation d'okystes *Cryptosporidium Parvum* † Fibres supérieures à 10 µm de longueur

REMARQUES SPÉCIALES

- Des filtres à eau de rechange Sub-Zero peuvent être commandés en ligne à subzero.com/store. Pour toute question, communiquez avec le service à la clientèle de Sub-Zero à 800-222-7820.
- Remplacez le filtre au moins une fois tous les douze mois. Les endroits à sédiments élevés pourront nécessiter un remplacement de cartouche plus fréquent.
- Des directives d'installation et de fonctionnement, la disponibilité des pièces et du service et la garantie standard sont comprises avec le produit lorsqu'il est expédié.
- Remplacez la cartouche du filtre à eau lorsque l'indicateur du filtre est allumé ou lorsque le débit d'eau est trop faible. Utilisez le filtre à eau de rechange numéro de pièce 4204490. Des renseignements sur le prix du filtre de rechange se trouvent à subzero.com/store.
- N'utilisez pas de l'eau qui est microbiologiquement insalubre ou de l'eau de qualité inconnue sans une désinfection adéquate avant ou après le système.
- Les systèmes certifiés pour la réduction de spores peuvent être utilisés avec de l'eau désinfectée qui peut contenir des spores filtrables.
- Ce système doit être installé, utilisé et maintenu et les filtres doivent être remplacés au besoin afin que le produit fonctionne comme il est indiqué.
- Veillez noter que les essais ont été effectués dans des conditions de laboratoire normales; la performance réelle peut varier. Les contaminants ou les autres substances éliminés ou réduits par ce système de traitement d'eau ne se trouvent pas nécessairement dans votre eau.

Dépannage

FONCTIONNEMENT DE L'UNITÉ

Pas de lumière ou de refroidissement.

- Assurez-vous que l'unité est sous tension.
- Vérifiez l'alimentation électrique vers l'unité et que le disjoncteur de la résidence est en marche.

Pas de lumière dans le réfrigérateur ou le congélateur.

- La porte/le tiroir peuvent avoir été laissés entrouverts, ce qui a désactivé les lumières pour éliminer l'excédent de chaleur. Si les lumières sont éteintes, fermez la porte/le tiroir pendant une heure. Si les lumières sont toujours éteintes, communiquez avec le service certifié par l'usine Sub-Zero.
- L'éclairage intérieur à DEL doit être remplacé par le service certifié par l'usine Sub-Zero.

Givre, condensation ou accumulation de glace à l'intérieur de l'unité.

- Assurez-vous que le condensateur est propre.
- Assurez-vous que la porte se ferme correctement.
- Assurez-vous que la porte/le tiroir n'aient pas été laissés entrouverts.
- Vérifiez que le joint de la porte/du tiroir n'ait pas de coupures ou déchirures. Le cas échéant, communiquez avec le service certifié par l'usine Sub-Zero.
- Si le glaçage est épais, éteignez l'appareil et utilisez un sèche-cheveux pour faire fondre la glace. Le sèche-cheveux doit être réglé sur faible et en mouvement constamment. Une fois la glace fondue, essuyez l'eau avec un chiffon ou une serviette en papier.

Températures élevées, l'unité fonctionne de façon excessive ou émet trop de chaleur.

- Assurez-vous que le condensateur est propre.
- Assurez-vous que la porte se ferme correctement.
- Assurez-vous que la porte/le tiroir n'aient pas été laissés entrouverts.
- Des températures ambiantes élevées peuvent faire fonctionner les compresseurs plus longtemps.
- Si l'affichage de température indique 38° et 0°, mais ne refroidit pas, l'unité peut se trouver en mode de salle d'exposition. Communiquez avec le service à la clientèle de Sub-Zero à 800-222-7820.

L'eau ne s'écoule pas du distributeur.

- Attendez une heure, puis essayez le distributeur à nouveau. Communiquez avec le service à la clientèle de Sub-Zero au 800-222-7820 si cela ne résout pas le problème.

ODEUR

- L'unité doit être nettoyée avant de l'utiliser la première fois. Cela éliminera les odeurs qui ont pu être captées lors de l'expédition.
- Remplacez la cartouche de purification d'air.
- Nettoyez l'unité et les tablettes à fond.
- Des aliments non couverts peuvent dégager une odeur qui peut nécessiter un nettoyage.

Dépannage

PRODUCTION DE GLAÇONS

Pas de glace.

- Vérifiez que l'indicateur de glaçons apparaît sur l'écran du panneau de commande.
- Vérifiez que la machine à glaçons ait été mise en marche pendant au moins 24 heures.
- Vérifiez que la température du congélateur soit près de 0 °F.
- Vérifiez que le contenant à glace soit correctement installé.
- Vérifiez que le bras de la machine à glaçons est en position abaissée.
- Vérifiez qu'il y ait de l'eau alimentée vers l'unité.
- Vérifiez que le filtre à eau ait été remplacé au cours des douze derniers mois et correctement installé.
- Vérifiez que le filtre à eau ait été retiré si un système de filtration à osmose inverse est utilisé.

Les glaçons sont bleus ou verts.

- Possibilité de corrosion de la conduite d'alimentation en cuivre. Communiquez avec un plombier pour la faire nettoyer ou remplacer.

Flocons noirs sur les glaçons.

- Cessez d'utiliser et communiquez avec le service certifié par l'usine Sub-Zero.

Mauvais goût.

- Décongelez le congélateur et nettoyez avec de l'eau et du savon.
- Placez des marcs de café ou des briquettes de charbon dans le congélateur pour absorber l'odeur.

Glaçons creux.

- Nettoyez le condensateur. Communiquez avec le service certifié par l'usine Sub-Zero si cela ne corrige pas le problème.

SERVICE

- Préservez la qualité intégrée dans votre produit en communiquant avec un service certifié par l'usine Sub-Zero. Pour obtenir le nom du centre de service Sub-Zero certifié par l'usine le plus près de chez vous, consultez la section Support produit de notre site Web, subzero.com ou appelez le service à la clientèle de Sub-Zero au 800-222-7820.
- Avant d'appeler pour obtenir du service, ayez en main les numéros de modèle et de série de votre unité. Les deux numéros sont indiqués sur la plaque signalétique du produit. Reportez-vous à la page 7 pour connaître l'emplacement de la plaque signalétique.
- Pour les besoins de la garantie, vous devrez aussi avoir la date d'installation et le nom de votre dépositaire Sub-Zero autorisé. Ces renseignements doivent être notés à la page 3.

Garantie limitée résidentielle Sub-Zero

POUR UTILISATION RÉSIDENIELLE

GARANTIE COMPLÈTE DE DEUX ANS*

Pendant deux ans à compter de la date d'installation originale, cette garantie de produit Sub-Zero couvre toutes les pièces et la main d'œuvre pour réparer ou remplacer, selon un usage résidentiel normal, toute partie du produit qui s'avérerait défectueuse en vertu des matériaux ou de la fabrication. Le service fourni par Sub-Zero en vertu de la garantie ci-dessus doit être effectué par un centre de service Sub-Zero certifié par l'usine, à moins d'être précisé autrement par Sub-Zero, Inc. Le service sera fourni pendant les heures normales d'ouverture.

GARANTIE COMPLÈTE DE CINQ ANS SUR LE SYSTÈME SCELLÉ

Pendant cinq ans à compter de la date d'installation originale, cette garantie de produit Sub-Zero couvrira toutes les pièces et la main d'œuvre pour réparer ou remplacer, selon un usage résidentiel normal, les pièces qui s'avèreraient défectueuses en vertu des matériaux ou de la fabrication : le compresseur, le condensateur, l'évaporateur, le déshydrateur et toute la tuyauterie de connexion. Le service fourni par Sub-Zero en vertu de la garantie ci-dessus doit être effectué par un centre de service Sub-Zero certifié par l'usine, à moins d'être précisé autrement par Sub-Zero, Inc. Le service sera fourni pendant les heures normales d'ouverture.

GARANTIE LIMITÉE DE DOUZE ANS SUR LE SYSTÈME SCELLÉ

Pendant douze ans à compter de la date originale d'installation, Sub-Zero réparera ou remplacera les pièces suivantes qui s'avèreront défectueuses en vertu des matériaux ou de la fabrication : le compresseur, le condensateur, l'évaporateur, le déshydrateur et toute la tuyauterie de connexion. Si le propriétaire utilise le service Sub-Zero certifié en usine, le fournisseur de service réparera ou remplacera ces pièces et le propriétaire paiera pour tous les autres frais, y compris la main d'œuvre. Si le propriétaire utilise un service non certifié, il doit communiquer avec Sub-Zero, Inc. (avec les renseignements ci-dessous) pour obtenir des pièces réparées ou de rechange. Sub-Zero ne remboursera pas le propriétaire pour les pièces achetées d'un service non certifié ou d'autres sources.

CONDITIONS S'APPLIQUANT À CHAQUE GARANTIE

La garantie s'applique uniquement aux produits installés pour un usage résidentiel normal. La garantie s'applique seulement aux produits installés dans l'un des cinquante états des États-Unis, dans le District of Columbia ou les dix provinces du Canada. Cette garantie ne couvre pas les pièces ou la main d'œuvre pour corriger tout défaut causé par de la négligence, un accident ou une utilisation, un entretien, une installation, un service ou une réparation inappropriés.

LES REMÈDES DÉCRITS CI-DESSUS POUR CHAQUE GARANTIE SONT LES SEULS QUI SONT OFFERTS PAR SUB-ZERO, INC. EN VERTU DE CETTE GARANTIE OU EN VERTU DE TOUTE GARANTIE DÉCOULANT DE L'OPÉRATION DE LA LOI. SUB-ZERO, INC. NE SERA PAS RESPONSABLE DES DOMMAGES INDIRECTS OU CONSÉCUTIFS DÉCOULANT DE LA VIOLATION À CETTE GARANTIE OU À TOUTE GARANTIE, EXPRESSE, IMPLICITE OU LÉGALE.

Certaines provinces ne permettent pas l'exclusion ou la restriction des dommages indirects ou consécutifs, par conséquent, la limite ou l'exclusion ci-dessus peut ne pas s'appliquer à votre cas. Cette garantie vous confère des droits légaux précis et vous pouvez aussi avoir d'autres droits légaux qui peuvent varier d'une province à l'autre.

Pour obtenir des pièces et/ou du service et le nom du centre de service Sub-Zero certifié par l'usine le plus près de chez vous, communiquez avec Sub-Zero, Inc., P.O. Box 44848, Madison, WI 53744 É.-U.; Consultez la section Support produit de notre site Web, subzero.com, envoyez-nous un courriel à customerservice@subzero.com ou composez le 800-222-7820.

*L'acier inoxydable (les portes, les panneaux, les poignées, les cadres et les surfaces intérieures) est couvert par une garantie limitée de 60 jours sur les pièces et la main d'œuvre pour toute défectuosité cosmétique.

*Les cartouches du filtre à eau et de purification d'air de rechange ne sont pas couvertes par la garantie du produit.



Garantie limitée pour l'extérieur de Sub-Zero*

POUR UTILISATION RÉSIDENIELLE

GARANTIE COMPLÈTE D'UN AN**

Pendant un an à compter de la date d'installation originale, cette garantie de produit Sub-Zero couvre toutes les pièces et la main d'œuvre pour réparer ou remplacer, selon un usage résidentiel normal, toute partie du produit qui s'avèrerait défectueuse en vertu des matériaux ou de la fabrication. Le service fourni par Sub-Zero en vertu de la garantie ci-dessus doit être effectué par un centre de service Sub-Zero certifié par l'usine, à moins d'être précisé autrement par Sub-Zero, Inc. Le service sera fourni pendant les heures normales d'ouverture.

GARANTIE COMPLÈTE DE CINQ ANS SUR LE SYSTÈME SCELLÉ

Pendant cinq ans à compter de la date d'installation originale, cette garantie de produit Sub-Zero couvrira toutes les pièces et la main d'œuvre pour réparer ou remplacer, selon un usage résidentiel normal, les pièces qui s'avèreraient défectueuses en vertu des matériaux ou de la fabrication : le compresseur, le condensateur, l'évaporateur, le déshydrateur et toute la tuyauterie de connexion. Le service fourni par Sub-Zero en vertu de la garantie ci-dessus doit être effectué par un centre de service Sub-Zero certifié par l'usine, à moins d'être précisé autrement par Sub-Zero, Inc. Le service sera fourni pendant les heures normales d'ouverture.

CONDITIONS S'APPLIQUANT À CHAQUE GARANTIE

La garantie s'applique uniquement aux produits installés pour un usage résidentiel normal. La garantie s'applique seulement aux produits installés dans l'un des cinquante États des États-Unis, dans le District of Columbia ou les dix provinces du Canada. Cette garantie ne couvre pas les pièces ou la main d'œuvre pour corriger tout défaut causé par de la négligence, un accident ou une utilisation, un entretien, une installation, un service ou une réparation inappropriés.

LES REMÈDES DÉCRITS CI-DESSUS POUR CHAQUE GARANTIE SONT LES SEULS QUI SONT OFFERTS PAR SUB-ZERO, INC. EN VERTU DE CETTE GARANTIE OU EN VERTU DE TOUTE GARANTIE DÉCOULANT DE L'OPÉRATION DE LA LOI. SUB-ZERO, INC. NE SERA PAS RESPONSABLE DES DOMMAGES INDIRECTS OU CONSÉCUTIFS DÉCOULANT DE LA VIOLATION DE CETTE GARANTIE OU DE TOUTE GARANTIE, EXPRESSE, IMPLICITE OU LÉGALE.

Certaines provinces ne permettent pas l'exclusion ou la restriction des dommages indirects ou consécutifs, par conséquent, la limite ou l'exclusion ci-dessus peut ne pas s'appliquer à votre cas. Cette garantie vous confère des droits légaux précis et vous pouvez aussi avoir d'autres droits légaux qui peuvent varier d'une province à l'autre.

Pour obtenir des pièces et/ou du service et le nom du centre de service Sub-Zero certifié par l'usine le plus près de chez vous, communiquez avec Sub-Zero, Inc., P.O. Box 44848, Madison, WI 53744 É.-U.; Consultez la section Support produit de notre site Web, subzero.com, envoyez-nous un courriel à customerservice@subzero.com ou composez le 800-222-7820.

*Le produit doit être approuvé pour utilisation à l'extérieur, désigné par le numéro de modèle et de série.

*L'acier inoxydable (les portes, les panneaux, les poignées, les cadres et les surfaces intérieures) est couvert par une garantie limitée de 60 jours sur les pièces et la main d'œuvre pour toute défectuosité cosmétique.

**Les filtres à eau de rechange ne sont pas couverts par la garantie du produit.





SUB-ZERO, INC. P.O. BOX 44848 MADISON, WI 53744 SUBZERO.COM 800.222.7820

9043924 REV-A

10/2020

