



# Designer Series Refrigeration

## *Use and Care Guide*

CLEANING, MAINTENANCE,  
AND MORE



## Contents

|           |                               |
|-----------|-------------------------------|
| <b>3</b>  | Designer Series Refrigeration |
| <b>4</b>  | Safety Precautions            |
| <b>6</b>  | Designer Series Features      |
| <b>8</b>  | Touch Controls                |
| <b>10</b> | Storage                       |
| <b>14</b> | Product Operation             |
| <b>20</b> | Food Preservation             |
| <b>22</b> | Care Recommendations          |
| <b>23</b> | Troubleshooting               |
| <b>26</b> | Sub-Zero Warranty             |

## Customer Care

The model and serial number are printed on the enclosed product registration card. Both numbers are also listed on the product rating plate. Refer to pages 6–7 for rating plate location. For warranty purposes, you will also need the date of installation and name of your authorized Sub-Zero dealer. Record this information below for future reference.

### SERVICE INFORMATION

|                          |       |
|--------------------------|-------|
| Model Number             | _____ |
| Serial Number            | _____ |
| Date of Installation     | _____ |
| Certified Service Name   | _____ |
| Certified Service Number | _____ |
| Authorized Dealer        | _____ |
| Dealer Number            | _____ |

If your product ever needs attention, be sure to use a Sub-Zero Factory Certified Service provider recommended by our Customer Care Center, or select one from our list of providers available at [subzero.com/locator](http://subzero.com/locator). All Factory Certified Service providers are carefully selected and thoroughly trained by us.

## Important Note

To ensure this product is installed and operated as safely and efficiently as possible, take note of the following types of highlighted information throughout this guide:

**IMPORTANT NOTE** highlights information that is especially important.

### ⚠ CAUTION

Indicates a situation where minor injury or product damage may occur if instructions are not followed.

### ⚠ WARNING

States a hazard that may cause serious injury or death if precautions are not followed.

**IMPORTANT NOTE:** Throughout this guide, dimensions in parentheses are millimeters unless otherwise specified.

### IMPORTANT INSTRUCTIONS

#### ▲ WARNING

Do not store explosive substances such as aerosol cans with a flammable propellant in this appliance.

#### ▲ WARNING

Keep ventilation openings, in the appliance enclosure or in the built-in structure, clear of obstruction.

#### ▲ WARNING

Do not use mechanical devices or other means to accelerate the defrosting process, other than those recommended by the manufacturer.


#### ▲ WARNING

Do not expose this appliance to rain.

#### ▲ WARNING

This appliance is only intended for residential use.

#### ▲ WARNING

- This appliance contains flammable refrigerant and must be handled, installed, serviced, and decommissioned by authorized personnel. Once decommissioned, consult local authorities for disposal instructions.
- To minimize the risk of ignition due to improper installation, replacement parts, or service procedures, only refrigeration technicians with flammable refrigerant training who are aware of the dangers of dealing with high voltage electricity and refrigerant under pressure are allowed to work on this equipment.
- Do not damage the refrigeration circuit when installing, maintaining, or servicing the unit.
-  This symbol indicates risk of fire/flammable materials.

#### ▲ CAUTION

Incorporated ice makers must be installed by the manufacturer or its service agent.

#### ▲ WARNING

Do not use electrical appliances inside the food storage compartments of the appliance, unless they are of the type recommended by the manufacturer.

### IMPORTANT INSTRUCTIONS

#### ▲ WARNING

This appliance is not intended for use by persons (including children) with reduced physical, sensory or mental capabilities, or lack of experience and knowledge, unless they have been given supervision or instruction concerning use of the appliance by a person responsible for their safety. Children should be supervised to ensure they do not play with the appliance.

#### ▲ WARNING

**DANGER:** Risk of child entrapment. Before you throw away your old refrigerator or freezer:

- Take off the doors.
- Leave the shelves and drawer dividers in place so that children may not easily climb inside.

#### ▲ WARNING

##### PROPOSITION 65 FOR CALIFORNIA RESIDENTS

Cancer and Reproductive Harm—  
[www.P65Warnings.ca.gov](http://www.P65Warnings.ca.gov)

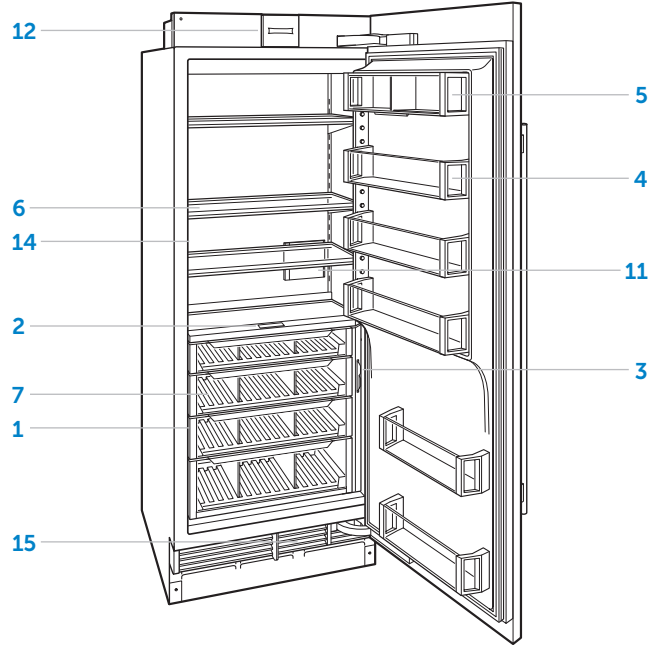
**This appliance is intended to be used in household and similar applications such as:**

- staff kitchen areas in shops, offices, and other working environments
- farm houses and by clients in hotels, motels, and other residential type environments
- bed and breakfast type environments
- catering and similar non-retail applications

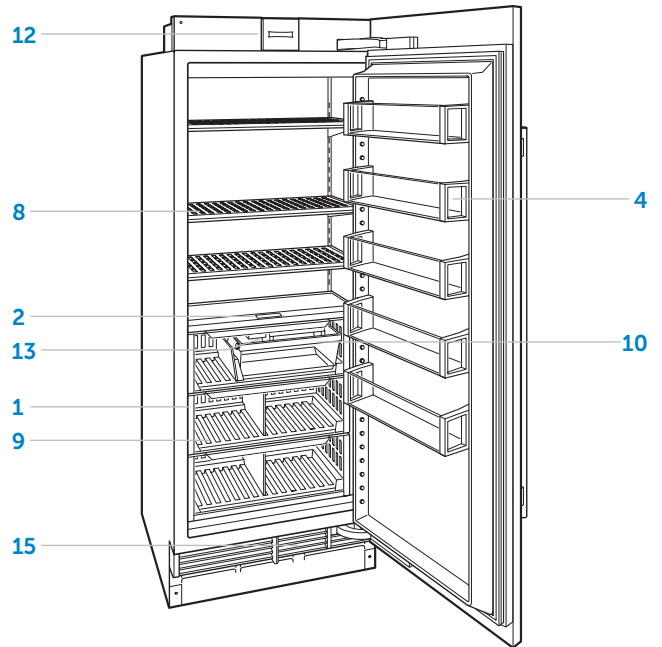
## Designer Series Features

### FEATURES

|    |   |
|----|---|
| 1  | Product Rating Plate                        |
| 2  | Touch Control Panel                         |
| 3  | Freshness Cards                             |
| 4  | Adjustable Door Shelves                     |
| 5  | Flip-Up Dairy Compartment                   |
| 6  | Refrigerator Shelves                        |
| 7  | Refrigerator Storage Drawers                |
| 8  | Freezer Shelves                             |
| 9  | Freezer Storage Drawers                     |
| 10 | Removable Ice Bin                           |
| 11 | Air Purification System                     |
| 12 | Water Filtration System                     |
| 13 | Automatic Ice Maker (ice maker models)      |
| 14 | Internal Water Dispenser (dispenser models) |
| 15 | Condenser (behind grille)                   |

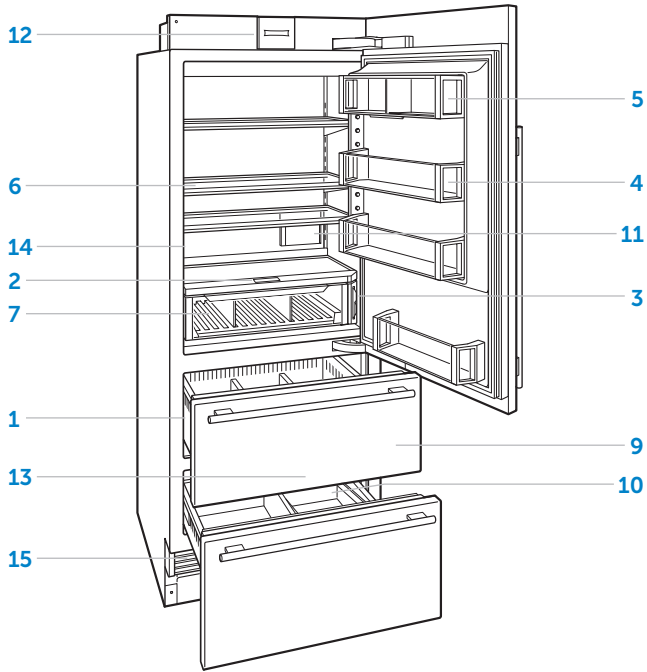


Column all refrigerator

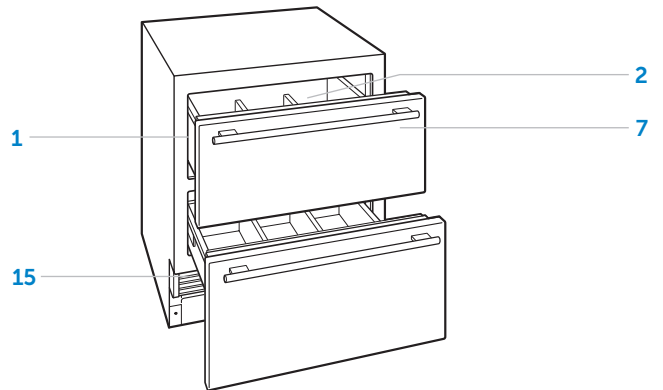


Column all freezer

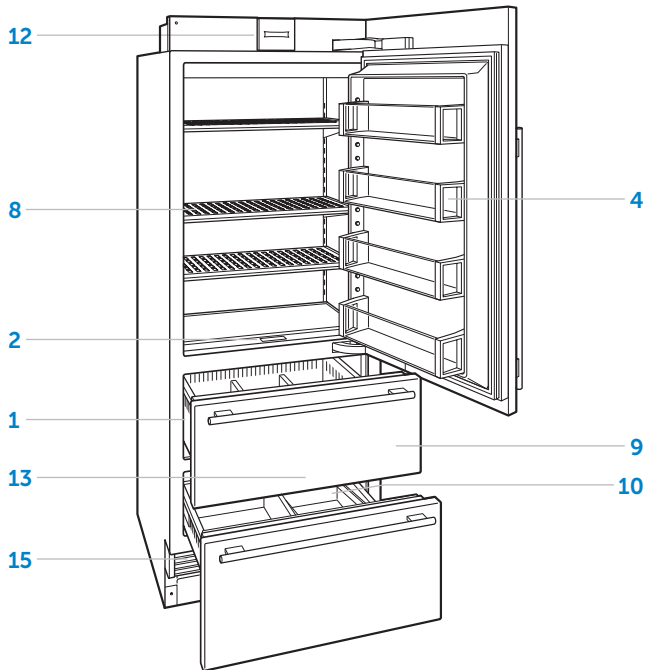
# Designer Series Features



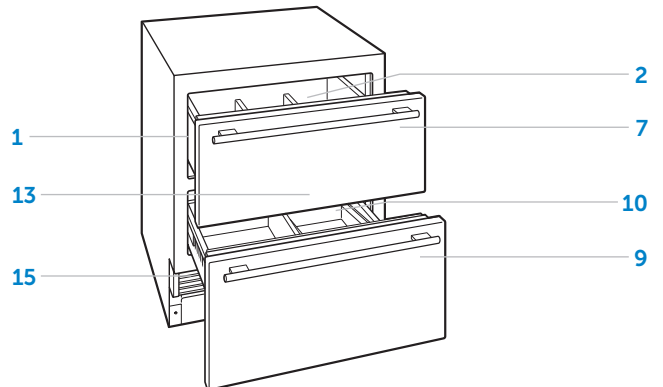
Tall combination



Drawer all refrigerator



Tall all freezer



Drawer combination

## Touch Control Panel

For initial start-up, touch and hold ⓘ on the control panel for 2 seconds.

The recommended temperatures are preset at 0°F (-18°C) for a freezer and 38°F (3°C) for a refrigerator. The temperatures are adjustable in one-degree increments. The combination model has two temperature zones.

### To adjust temperature:

- 1 Touch the temperature to be adjusted.
- 2 Touch + or – until the desired temperature is displayed. Refer to the illustration below.

To adjust additional settings, touch ⚙ on the control panel. Refer to the illustration below.



Dual-zone home screen



Single-zone home screen

## SETTINGS

|  |   |
|--|---|
|  | Adjust refrigerator drawer temperature and humidity         |
|  | Turn ice maker and max ice on or off                        |
|  | Turn air purifier on or off                                 |
|  | Adjust soft on lighting and accent lighting (if applicable) |
|  | Turn night mode on or off                                   |
|  | Turn the dispenser on or off                                |
|  | Turn door alarm on or off and adjust duration               |
|  | Adjust door alarm volume and tone                           |
|  | Turn water filter reminder on or off                        |
|  | Turn connect on or off (if applicable)                      |
|  | Turn the unit on or off                                     |
|  | Turn Sabbath on or off                                      |
|  | Adjust temperature units                                    |
|  | Select language   |
|  | System information  |
|  | View troubleshooting and service information                |



## Connect This Appliance

Connect this appliance to remotely monitor and control it. Connecting requires a wireless router, an Internet connection with a network name and password, and a compatible mobile device. There is no limit to the number of appliances you can connect to an account. Connect products from multiple homes to the same account. Connecting appliances is optional.

### Connect today to:

- Receive alerts, status updates, and routine maintenance notifications.
- Streamline everyday tasks with the help of remote controls and voice commands.
- Quickly access user manuals and cleaning and maintenance tips.

### To connect:

- 1 Download the free Sub-Zero Group Owner's App from the Apple App Store or Google Play.
- 2 With Bluetooth® enabled on the device, stand within a few feet of the appliance, open the app, and follow the on-screen instructions.
- 3 Log in or create an account.
- 4 Tap Add An Appliance or tap + in upper right of the screen to add appliances. To identify which appliance to pair, open the appliance door.
- 5 Tap + next to the appliance to select it. If identical appliances appear, follow the additional step on the screen to identify which appliance to pair.
- 6 Tap Pair Via Bluetooth®. Wait for setup to complete, then tap Set Up Your Appliance For Pairing.
- 7 Tap Choose a Network on the Connect Your Appliance to Wi-Fi screen.
- 8 Select the home Wi-Fi network and enter the network password.
- 9 Tap Turn on Notifications to allow notifications about the appliance (for example, door left ajar).
- 10 Tap Done on the Success screen to complete the setup.

## Dual Refrigeration®

This Sub-Zero features a unique Dual Refrigeration® system to keep food fresher longer.

With the Sub-Zero Dual Refrigeration® system, individual refrigerator and freezer systems have been designed to maintain accurate, consistent temperatures and proper humidity levels for longer food life expectancy. Dual Refrigeration® eliminates transfer of fresh food odors to frozen food and ice and does not freeze the moisture out of the air in the fresh food section.

## Split Climate™

This intelligent cooling system revolutionizes Sub-Zero's already-superior preservation capabilities, keeping food even fresher for longer.

## ClearSight™

This intelligent LED lighting system fully illuminates the interior and reduces shadows.

## Refrigerator Storage

### ADJUSTABLE DOOR SHELVES

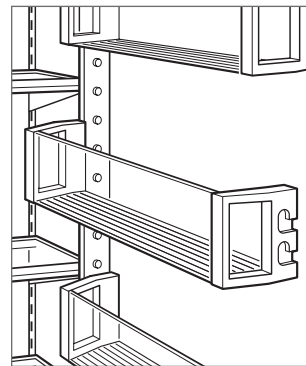
**To reposition a door shelf or dairy compartment:**

- 1 To remove, lift the shelf from the bottom and slide out. Refer to the illustration below.
- 2 To install, place in the desired position and slide the shelf down onto the guides.

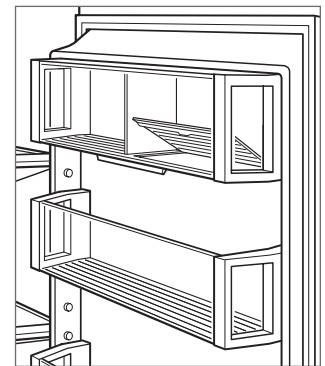
**IMPORTANT NOTE:** If the door opening is limited to 90°, door shelves may need to be removed before removing a storage drawer or glass shelf.

### FLIP-UP DAIRY COMPARTMENT

The bottom of the dairy compartment rotates upward to accommodate taller items below. For models without vertical dividers in the compartment, the entire bottom rotates upward. For models with a vertical divider, one section rotates upward. Refer to the illustration below.



Door shelf removal



Flip up dairy compartment

## Refrigerator Storage

### GLASS SHELVES

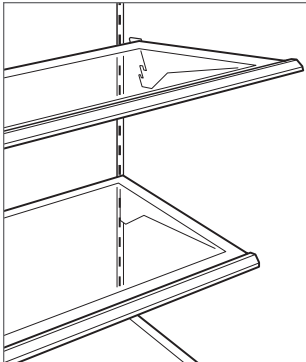
#### To reposition a glass shelf:

- 1 To remove, tilt the shelf up, then lift up and out. Refer to the illustration below.
- 2 To install, insert the shelf in the tracks along the back wall, then lower the front until it locks into position.

**IMPORTANT NOTE:** Use care when handling glass shelves to prevent breakage or scratching the interior.

#### ⚠ CAUTION

**Glass shelves should warm to room temperature before immersing in warm water.**



Glass shelf removal

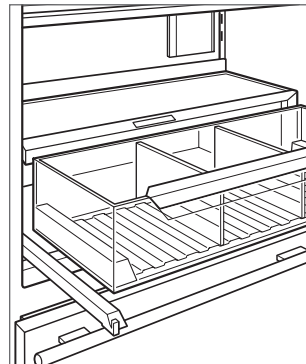
### REFRIGERATOR STORAGE DRAWERS

#### To remove and install a refrigerator drawer:

- 1 To remove, pull the drawer open until it stops.
- 2 Lift the front of the drawer slightly and pull straight out. Refer to the illustration below.
- 3 To install, pull the drawer carrier out and align the bottom of the drawer with the carrier.
- 4 Slide the drawer back into position.

#### To reposition a refrigerator drawer divider:

- 1 To remove, pull the divider straight up.
- 2 To install, align tabs on the divider with notches in the drawer and push down.



Refrigerator drawer removal

## Storage Drawers

### CRISPER COVER

The crisper cover in the upper storage drawer can be slid closed, left open, or removed.

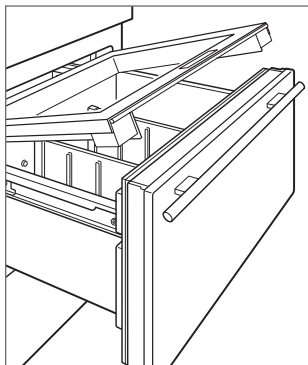
#### To remove the crisper cover:

- 1 Pull the upper storage drawer all the way out.
- 2 Raise the front edge of the crisper cover and pull it forward and out of the drawer. Refer to the illustration below.

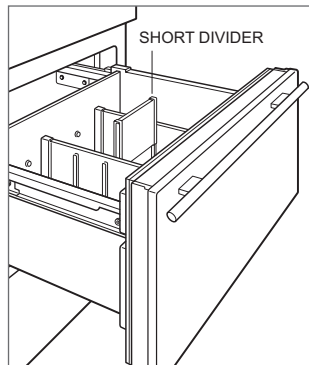
### DRAWER DIVIDERS

#### To reposition a drawer divider:

- 1 To remove a short divider, flex the long divider slightly, then pull upward. Refer to the illustration below.
- 2 For 36" wide drawer models only, one long divider is adjustable. To remove a long divider, all short dividers must be removed. Pull the long divider up until it stops, rotate counterclockwise, then pull upward.
- 3 To install a long divider, align the grooves with the drawer tabs, rotate clockwise, then slide down.
- 4 To install a short divider, position as desired, then slide down.



Crisper cover



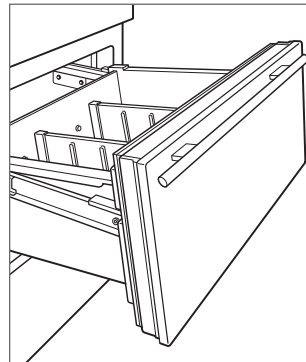
Drawer dividers

### DRAWER REMOVAL

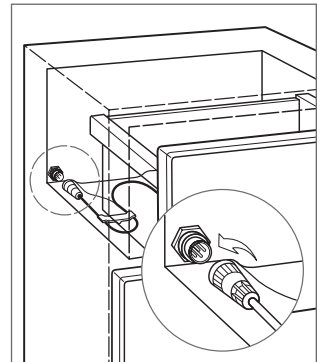
#### To remove/install a storage drawer:

- 1 To remove, pull the drawer open until it stops. Raise the front of the drawer slightly and pull straight out. Refer to the illustration below.
- 2 To install, raise the front of drawer and place onto the slides. Align the back of the drawer with hooks on the slide, then align the white pegs at the front of the slide with holes at the front of the drawer.

**IMPORTANT NOTE:** For drawer models, the upper drawer has a control cable that must be disconnected before removing the drawer. Refer to the illustration below.



Drawer removal



Control cable (drawer model)

## Freezer Storage

### FREEZER STORAGE DRAWERS

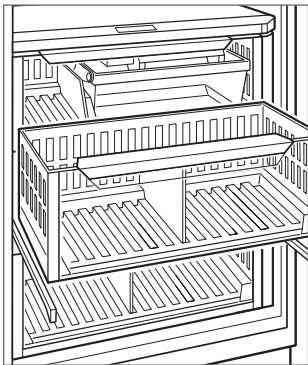
#### To remove a freezer drawer:

- 1 Pull the drawer open until it stops.
- 2 Locate the two plastic tabs at the front of the drawer behind the bottom corners.
- 3 Pull the tabs forward, then lift up and out. Refer to the illustrations below.

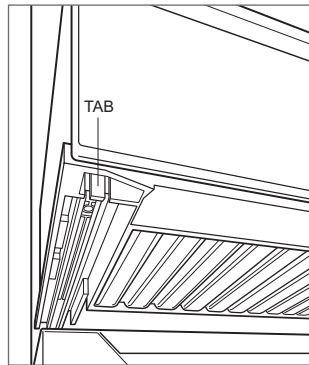
If the door opening is limited to 90°, the top drawer must be removed before removing the middle or lower drawer.

#### To install a freezer drawer:

- 1 Push the drawer slides in.
- 2 Align the drawer with the slides and push back until it stops.
- 3 Press down on the front of the drawer to engage the slides.



Column freezer drawer



Freezer drawer tab

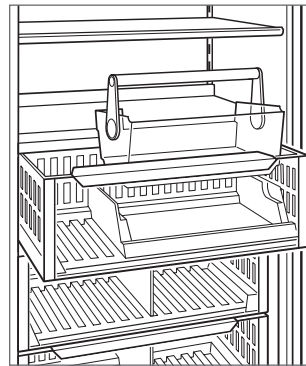
### ICE BIN

#### To remove the ice bin (column model):

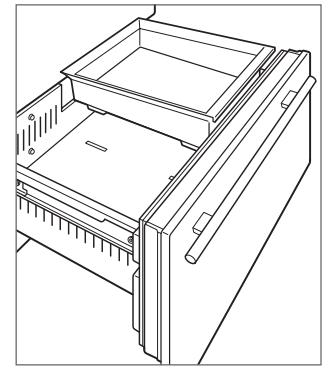
- 1 Pull the freezer drawer open until it stops.
- 2 Lift the ice bin out. Refer to the illustration below.

#### To remove the ice bin (tall and drawer models):

- 1 Pull the freezer drawer open until it stops.
- 2 Lift the ice bin out. Refer to the illustration below.



Column ice bin



Tall and drawer ice bin

## Temperature



### TEMPERATURE CONTROL

To optimize food preservation, the refrigerator drawer temperature is adjustable automatically or manually. All drawers are set to the same temperature and cannot be adjusted individually.

**Auto Mode**—automatically adjusts the refrigerator drawer temperature 2° below the refrigerator set temperature, but cannot go below 34°F (1°C).

**Manual Mode**—manually adjust the refrigerator drawer up to 2° above or below the refrigerator setpoint, but cannot go below 34°F (1°C) or above 42°F (6°C).

#### To adjust temperature:




- 1 Touch .
- 2 Touch .
- 3 Touch "A" or "M" to toggle between modes.
- 4 Touch + or – to adjust the temperature manually.

## Humidity

### HUMIDITY CONTROL

To optimize food preservation, the refrigerator humidity level is adjustable between Normal humidity and Enhanced (increased) humidity. Some vegetables (leafy greens, herbs, cauliflower, Brussels sprouts, broccoli, carrots, peppers, and asparagus) benefit from enhanced/increased humidity, however, proteins and fruits typically benefit from normal humidity. If condensation/moisture appears inside the refrigerator, verify the setting is set to Normal.

#### To adjust humidity:

- 1 Touch .
- 2 Touch .
- 3 Touch  to toggle between settings.

## Air Purification System

Many fresh foods emit ethylene gas, a naturally-occurring compound that hastens food ripening and spoilage. If your unit is equipped with an air purification system, the cartridge has been factory installed and is located on the back wall of the refrigerator.

To turn on air purification, touch  on the options screen.

### ⚠ CAUTION

**The air purification system complies with applicable federal requirements regarding incidental exposure to ultraviolet light. Lamp contains mercury. Manage in accordance with disposal laws. Visit [earth911.com](http://earth911.com) or call 800-222-7820.**

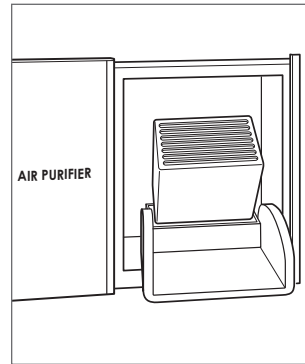
## AIR PURIFICATION CARTRIDGE

The air purification cartridge lasts approximately one year. "Snooze/Refresh" appears on the control panel when the cartridge needs to be replaced. Touch "Snooze" to delay the reminder for 24 hours or until the cartridge can be replaced.

Replacement Sub-Zero air purification cartridges can be ordered online at [subzero.com/store](http://subzero.com/store). For questions, contact Sub-Zero Customer Care at 800-222-7820.

### To replace the air purification cartridge:

- 1 To access the air purification cartridge, slide the door to the left.
- 2 Grasp the black cover from the top and rotate downward. The cartridge pops out and can be removed. Refer to the illustration below.
- 3 Remove the new cartridge from packaging and insert with the connector pointing downward.
- 4 Close the black cover, then slide the door to the right.
- 5 Follow the instructions on the control panel. The cartridge life cycle resets for approximately one year.



Air purification cartridge

## Water Filtration System

The water filtration system supplies filtered water to the ice maker and water dispenser (dispenser models) to produce great-tasting water and ice.

**IMPORTANT NOTE:** When using the water filtration system for the first time and after filter replacement, it is necessary to clear any air from the system and allow the filter to assist in cleaning the water lines. For non-dispenser models, discard the first two full containers of ice. For dispenser models, dispense several glasses of water for a period of two minutes.

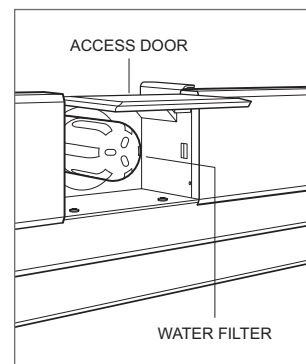
If the water filtration system will not be used, it can be placed in water filter bypass mode by removing the filter.

"Snooze/Refresh" appears on the control panel when the filter needs to be replaced. Touch "Snooze" to delay the reminder for 24 hours or until the filter can be replaced.

Replacement Sub-Zero water filters can be ordered online at [subzero.com/store](http://subzero.com/store). For questions, contact Sub-Zero Customer Care at 800-222-7820.

### To replace the water filter:

- 1 To access the water filter, pull out on the bottom edge of the access door and rotate upward. Refer to the illustration below.
- 2 To remove the old filter, rotate counterclockwise one-quarter turn, then pull out. It is normal for a small amount of water to drip when the filter is removed. It should be wiped up with a paper towel or cloth.
- 3 Remove the new filter from packaging and remove the plastic cap.
- 4 Insert the new filter into the manifold and turn clockwise.
- 5 Once the new filter has been installed, follow instructions on the control panel. The filter life cycle will reset for approximately one year.



Water filter



## Sub-Zero Water Filtration System Data

**IMPORTANT NOTICE:** Read this Performance Data Sheet carefully and compare the capabilities of this unit with your actual water treatment needs. It is recommended that, before purchasing a water treatment unit, you have your water supply tested to determine your actual water treatment needs.



System tested and certified by NSF International against NSF/ANSI Standard 42 and 53 for the reduction of substances listed below.

The concentration of the indicated substances in water entering the system was reduced to a concentration less than or equal to the permissible limit for water leaving the system, as specified in NSF/ANSI 42/53.

| Contaminant Reduction*                      | Average Influent Concentration | NSF Specified Challenge Concentration                    | Average % Reduction | Product Water Concentration |                 | NSF Reduction Requirements | NSF Test Report |
|---|--------------------------------|--|---------------------|-----------------------------|-----------------|----------------------------|-----------------|
|   |                                |  |                     | Average                     | Max Permissible |                            |                 |
| Chlorine, Taste & Odor                      | 2.0 mg/L                       | 2.0 mg/L ± 10%   | 97.5%               | 0.05 mg/L                   | N/A             | ≥50%                       | J-00056501      |
| Normal Particulate Class I, ≥0.5 to <1.0 µm | 13,666,667 pts/ml              | At least 10,000 particles/ml                             | 98.9%               | 143,333 pts/ml              | N/A             | ≥85%                       | J-00056506      |
| Asbestos                                    | 96 MF/L                        | 10 <sup>7</sup> to 10 <sup>8</sup> fibers/L <sup>†</sup> | >99%                | <1 MF/L                     | N/A             | ≥99%                       | J-00056511      |
| Atrazine                                    | 0.010 mg/L                     | 0.009 mg/L ± 10%   | 89.3%               | 0.001 mg/L                  | 0.003 mg/L      | N/A                        | J-00056512      |
| Benzene                                     | 0.014 mg/L                     | 0.015 mg/L ± 10%   | 96.3%               | 0.005 mg/L                  | 0.005 mg/L      | N/A                        | J-00056535      |
| Carbofuran                                  | 0.08 mg/L                      | 0.08 mg/L ± 10%  | 86.6%               | 0.01 mg/L                   | 0.04 mg/L       | N/A                        | J-00056537      |
| Cyst**                                      | 122,500 cysts/L                | Min 50,000 cysts/L                                       | 99.99%              | 1 cyst/L                    | N/A             | ≥99.99%                    | J-00056513      |
| Lead at pH 6.5                              | 0.153 mg/L                     | 0.15 mg/L ± 10%  | 99.3%               | 0.001 mg/L                  | 0.010 mg/L      | N/A                        | J-00056515      |
| Lead at pH 8.5                              | 0.150 mg/L                     | 0.15 mg/L ± 10%  | 99.3%               | 0.001 mg/L                  | 0.010 mg/L      | N/A                        | J-00058784      |
| Lindane                                     | 0.002 mg/L                     | 0.002 mg/L ± 10%   | 97.8%               | 0.00004 mg/L                | 0.0002 mg/L     | N/A                        | J-00058969      |
| Mercury at pH 6.5                           | 0.006 mg/L                     | 0.006 mg/L ± 10%   | 95%                 | 0.0003 mg/L                 | 0.002 mg/L      | N/A                        | J-00058785      |
| Mercury at pH 8.5                           | 0.006 mg/L                     | 0.006 mg/L ± 10%   | 88%                 | 0.0007 mg/L                 | 0.002 mg/L      | N/A                        | J-00058783      |
| Toxaphene                                   | 0.015 mg/L                     | 0.015 mg/L ± 10%   | 93.2%               | 0.001 mg/L                  | 0.003 mg/L      | N/A                        | J-00056531      |
| Turbidity                                   | 10.8 NTU                       | 11 ± 1 NTU   | 98.7%               | 0.153 NTU                   | 0.5 NTU         | N/A                        | J-00058972      |
| P-Dichlorobenzene                           | 0.215 mg/L                     | 0.225 mg/L ± 10%   | 99.7%               | 0.0005 mg/L                 | 0.075 mg/L      | N/A                        | J-00056538      |

\*Contaminant reduction determined by NSF testing. \*\*Based on the use of *Cryptosporidium Parvum* oocysts. <sup>†</sup>Fibers greater than 10 µm in length.

### APPLICATION GUIDELINES / WATER SUPPLY PARAMETERS

**Capacity:** certified for up to 750 gallons (2,839 L); up to twelve months

**Service Flow:** 0.78 gpm (2.95 Lpm)

**Water Supply:** potable water

**Water Pressure:** 35–120 psi (2.8–8.2 bar)

**Water Temperature:** 40°F–100°F (5°C–40°C)




### SPECIAL NOTES

- Replacement Sub-Zero water filter cartridges can be ordered online at [subzero.com/store](http://subzero.com/store), or contact customer care at 800-222-7820.
- It is recommended that the filter cartridge be replaced when the indicator is displayed, if there is a noticeable drop in pressure, the ice cubes become hollow, or every 12 months, whichever comes first. Replacement filter pricing information can be found at [subzero.com/store](http://subzero.com/store).
- This filter must be installed, operated, maintained and replaced as required in order for the product to perform as advertised.
- Note that while the testing was performed under standard laboratory conditions, actual performance may vary. The contaminants or other substances removed or reduced by this water treatment system are not necessarily in your water.

Manufactured for: Sub-Zero, Inc., P. O. Box 44848, Madison, WI 53744, 800-222-7820

## Ice Maker

### To operate the ice maker:

- 1 To turn on the ice maker, touch  on the options screen. A single highlighted cube indicates the ice maker is turned on.  indicates the max ice feature is turned on.
- 2 To turn off the ice maker, touch  until no cubes are highlighted.


After initial start-up, discard the first few batches of ice. The ice may contain impurities from new plumbing connections.



Max ice increases ice production up to 30% for a 24-hour period. During that period, some components may run at a higher speed resulting in a unique audible tone. This is typical and will revert back after 24 hours or when the ice bin is full.

Ice may fuse together if not used regularly. To avoid, discard the ice and allow the ice maker to replenish.



Turn off the ice maker if the ice bin is removed for an extended period. The unit is equipped with a 3-minute delay after the ice bin is removed, to ensure cubes are not ejected before the ice maker is turned off or the ice bin is installed.

## Night Mode

Night mode automatically reduces interior light brightness when low ambient light is detected.  appears in the upper-left corner of the control panel display when night mode is turned on.

 appears when low ambient light is detected. The interior light brightness remains reduced for three minutes, even if the ambient light changes. Touch  to increase brightness.

### To turn night mode on or off:

- 1 Touch .
- 2 Touch .

## Sabbath

This appliance is certified by Star-K to meet strict religious regulations in conjunction with specific instructions found on [www.star-k.org](http://www.star-k.org).

Sabbath mode automatically turns on the interior lights at a reduced brightness. The lights stay on when the door is closed. The lights cannot be turned off in Sabbath mode.

Sabbath mode automatically turns off after 74 hours. All lighting preferences return to the previous setting when Sabbath mode is turned off.

### To turn on Sabbath:

- 1 Touch .
- 2 Touch and hold  for 3 seconds.

### To turn off Sabbath:

- 1 Touch and hold  for up to 10 seconds.

## Water Dispenser

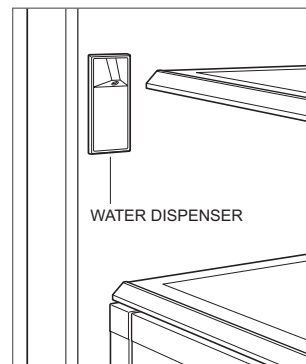
The 32 oz (1 L) internal water tank must fill before water flows from the dispenser. Press and hold the water dispenser paddle for up to 60 seconds until water is dispensed.

It may take several hours to chill the water to refrigerator temperature during the original fill and after a large amount of water is dispensed.

A safety feature is incorporated into the dispenser to limit continuous water flow to 60 seconds.

### To dispense water:

- 1 Press a glass against the dispenser to activate the flow of water. Refer to the illustration below.
- 2 The flow of water stops when the glass is pulled away.



Water dispenser

## Food Preservation

**Food Preservation Tips**—To reduce the risk of spoilage, minimize food handling. Store fruits and vegetables separately. Store meats in the original packaging; once opened, re-wrap tightly.

**Ethylene Gas**—Many fresh foods emit ethylene gas, a naturally-occurring compound that hastens food ripening and spoilage. Sub-Zero refrigerators come with an air purification system (based on technology developed by NASA) that scrubs the air of ethylene and odor every 20 minutes. To reduce spoilage, do not store ethylene-producing fruits and vegetables with those that are ethylene-sensitive.

**e<sup>+</sup>** Indicates an ethylene-producing food.

**e<sup>-</sup>** Indicates an ethylene-sensitive food.

**Humidity**—The optimal humidity varies for different foods. To keep food fresher longer, store foods in the areas designated in the following charts.

| FOOD                     | ECODE          | REFRIGERATOR | FREEZER                                      |
|--------------------------|----------------|--------------|--|
| <b>FRESH VEGETABLES</b>  |                |              |  |
| Artichokes               |                | 1–2 weeks    | Freezing fresh vegetables is not recommended |
| Asparagus                |                | 2–3 weeks    |  |
| Bean sprouts             |                | 7–9 days     |  |
| Beans (green or lima)    | e <sup>-</sup> | 7–10 days    |  |
| Beets without tops       |                | 3–4 months   |  |
| Bok choy                 | e <sup>-</sup> | 3 weeks      |  |
| Broccoli                 | e <sup>-</sup> | 1–2 weeks    |  |
| Cabbage                  | e <sup>-</sup> | 3–6 weeks    |  |
| Carrots                  | e <sup>-</sup> | 1–5 months   |  |
| Cauliflower              | e <sup>-</sup> | 3–4 weeks    |  |
| Celery                   |                | 1–2 months   |  |
| Corn                     |                | 5–8 days     |  |
| Cucumbers                | e <sup>-</sup> | 10–14 days   |  |
| Eggplant*                | e <sup>-</sup> | 1–2 weeks    |  |
| Fresh herbs              | e <sup>-</sup> | 1–3 weeks    |  |
| Garlic*                  |                | 6–7 months   |  |
| Ginger*                  |                | 6 months     |  |
| Jicama*                  |                | 1–2 months   |  |
| Kale                     | e <sup>-</sup> | 1–2 months   |  |
| Leeks                    |                | 2 months     |  |
| Lettuce                  | e <sup>-</sup> | 2–3 weeks    |  |
| Mushrooms                |                | 1–2 weeks    |  |
| Onions                   |                | 1–6 months   |  |
| Parsley                  | e <sup>-</sup> | 1–2 months   |  |
| Peas (sugar, snap, snow) | e <sup>-</sup> | 1–2 weeks    |  |
| Peppers (bell or chile)  | e <sup>-</sup> | 2–3 weeks    |  |
| Potatoes*                |                | 5–10 months  |  |
| Radishes                 |                | 1–2 months   |  |
| Shallots                 |                | 6 months     |  |
| Spinach                  | e <sup>-</sup> | 10–14 days   |  |
| Squash (soft rind)       | e <sup>-</sup> | 1–2 weeks    |  |
| Tamarillos               |                | 7–10 days    |  |
| Water chestnuts          |                | 2–4 months   |  |

\*Do not refrigerate.

## Food Preservation

| FOOD                      | ECODE          | REFRIGERATOR | FREEZER                                   |
|---------------------------|----------------|--------------|---|
| <b>FRESH FRUITS</b>       |                |              |   |
| Apples                    | e <sup>+</sup> | 1–2 months   | Freezing fresh fruits is not recommended  |
| Apricots                  | e <sup>+</sup> | 1–2 weeks    |   |
| Avocados <sup>†</sup>     | e <sup>+</sup> | 2–4 weeks    |   |
| Bananas*                  | e <sup>-</sup> | 1–4 weeks    |   |
| Blueberries               |                | 10–18 days   |   |
| Cantaloupe                | e <sup>+</sup> | 2–3 weeks    |   |
| Cherries                  |                | 2–3 weeks    |   |
| Figs                      | e <sup>+</sup> | 7–10 days    |   |
| Grapefruit                |                | 6–8 weeks    |   |
| Grapes                    |                | 2–3 weeks    |   |
| Honeydew melon            | e <sup>-</sup> | 3–4 weeks    |   |
| Kiwifruit                 | e <sup>-</sup> | 4–6 weeks    |   |
| Lemons                    |                | 1–6 months   |   |
| Limes                     |                | 6–8 weeks    |   |
| Mangos <sup>†</sup>       | e <sup>+</sup> | 2–3 weeks    |   |
| Nectarines                | e <sup>+</sup> | 2–4 weeks    |   |
| Oranges                   |                | 3–8 weeks    |   |
| Peaches                   |                | 2–4 weeks    |   |
| Pears <sup>†</sup>        | e <sup>+</sup> | 2–3 weeks    |   |
| Pineapple                 |                | 2–4 weeks    |   |
| Plums                     | e <sup>+</sup> | 2–5 weeks    |   |
| Raspberries               |                | 3–6 days     |   |
| Strawberries              |                | 7–10 days    |   |
| Tomatoes*                 | e <sup>+</sup> | 1–3 weeks    |   |
| <b>EGGS AND DELI</b>      |                |              |   |
| Eggs (fresh)              |                | 3 weeks      | Freezing eggs and deli is not recommended |
| Egg substitute (opened)   |                | 3 days       |   |
| Egg, tuna, or ham salad   |                | 3–5 days     |   |
| Lunch meat, thinly sliced |                | 1–2 days     |   |

\*Do not refrigerate. <sup>†</sup>Ripen on the counter before refrigeration.

| FOOD                            | ECODE | REFRIGERATOR | FREEZER     |
|---------------------------------|-------|--------------|-------------|
| <b>SOUP</b>                     |       |              |             |
| Stew with meat                  |       | 3–4 days     | 2–3 months  |
| Vegetable soup                  |       | 3–4 days     | 2–3 months  |
| <b>MEATS, FISH, AND POULTRY</b> |       |              |             |
| Bacon                           |       | 7 days       | 1 month     |
| Beef steaks, roast              |       | 3–5 days     | 6–12 month  |
| Bluefish, perch                 |       | 2 days       | 2–3 month   |
| Corned beef                     |       | 5–7 days     | 1 month     |
| Ham (whole)                     |       | 7 days       | 1–2 months  |
| Hamburger                       |       | 1–2 days     | 3–4 months  |
| Meat dishes (cooked)            |       | 3–4 days     | 2–3 months  |
| Pork and veal chops             |       | 3–5 days     | 4–6 months  |
| Poultry (cooked)                |       | 3–4 days     | 4–6 months  |
| Poultry (raw)                   |       | 1–2 days     | 9 months    |
| Salmon, mackerel                |       | 4 days       | 5–9 months  |
| Sausage (raw)                   |       | 1–2 days     | 1–2 months  |
| Shrimp                          |       | 1 day        | 6 months    |
| Smoked breakfast links, patties |       | 7 days       | 1–2 months  |
| <b>DAIRY</b>                    |       |              |             |
| Butter                          |       | 3 months     | 1 year      |
| Cottage cheese                  |       | 1–2 weeks    | 4 weeks     |
| Cream cheese                    |       | 2 weeks      | Not recomm. |
| Process cheese                  |       | 3–4 weeks    | 6–8 months  |
| Whole or skim milk              |       | 1–2 weeks    | Not recomm. |
| Yogurt                          |       | 1 month      | Not recomm. |

## Cleaning

### STAINLESS STEEL EXTERIOR

Use a nonabrasive stainless steel cleaner and apply with a soft lint-free cloth. To bring out the natural luster, lightly wipe the surface with a water-dampened microfiber cloth followed by a dry polishing chamois. Always follow the grain of stainless steel.

### INTERIOR CLEANING

To clean interior surfaces and all removable parts, wash with a mild solution of soap, water, and baking soda. Rinse and dry thoroughly. Avoid getting water on the lights and control panel.

#### ⚠ CAUTION

**Do not use vinegar, rubbing alcohol, or other alcohol-based cleaners on any interior surface.**

### VACATIONS

For extended vacations, turn power off at the control panel. Empty the unit and block doors open slightly to let fresh air in and keep the interior dry. The water filter should be replaced before start-up.

### CONDENSER CLEANING

#### ⚠ CAUTION

**Before cleaning the condenser, turn power off at the control panel. Wear gloves to avoid injury from sharp condenser fins.**

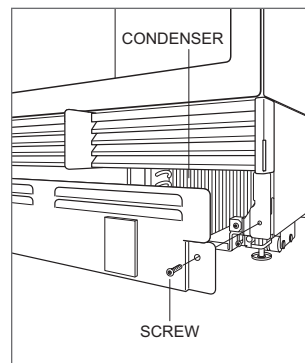
The condenser is located behind the kickplate. Clean the condenser every 6–12 months.

#### To clean the condenser:

- 1 Turn power off at the control panel.
- 2 Remove the kickplate by extracting the two mounting screws. Refer to the illustration below.
- 3 Use a soft bristle brush and vacuum to remove dust and lint from the condenser.

#### ⚠ CAUTION

**Failure to clean the condenser could result in temperature loss, mechanical failure, or damage.**



Condenser location

## Troubleshooting

Before contacting Sub-Zero Factory Certified Service, visit [subzero-wolf.com/assistance](http://subzero-wolf.com/assistance) or use these helpful tips to prevent the need for a service visit.

### UNIT OPERATION

#### No lights or cooling.

- 1 Verify power is on.
- 2 Verify electrical power to the unit and home circuit breaker is on.

#### No lights in the refrigerator or freezer.

- 1 The door/drawer may have been left ajar, which has disabled lights to eliminate excess heat. If the lights are out, close the door/drawer for one hour. If the lights are still out, contact Sub-Zero Factory Certified Service.
- 2 LED interior lighting must be replaced by Sub-Zero Factory Certified Service.

#### No refrigerator shelf light.

- 1 Verify the shelf is properly installed in the tracks along the back wall.
- 2 Verify nothing (a tall container or food) is preventing the shelf from engaging the tracks along the back wall.

#### Frost, condensation, or ice buildup inside the unit.

- 1 Verify the condenser is clean.
- 2 Verify the door/drawer is closing properly.
- 3 Verify the door/drawer has not been left ajar.
- 4 Verify the door/drawer gasket does not have rips or tears. If it does, contact Sub-Zero Factory Certified Service.
- 5 If icing is heavy, turn the unit off and use a hair dryer to melt the ice. The hair dryer should be set on low and kept moving at all times. Once the ice has melted, wipe up any water with a cloth or paper towel.

#### High temperatures, the unit runs excessively, or the unit is giving off too much heat.

- 1 Verify the condenser is clean.
- 2 Verify the door/drawer is closing properly.
- 3 Verify the door/drawer has not been left ajar.
- 4 Increased ambient temperatures may cause the compressors to run longer.
- 5 If the temperature display shows 38° and 0°, but is not cooling, the unit may be in Showroom Mode. Contact Sub-Zero Customer Care at 800-222-7820.

#### No water from the dispenser.

- 1 Wait one hour, then try the dispenser again. Contact Sub-Zero Customer Care at 800-222-7820 if unresolved.

## Troubleshooting

### ICE PRODUCTION

#### No ice.

- 1 Verify the ice cube indicator appears on the control panel display.
- 2 Verify the ice maker has been on for at least 24 hours.
- 3 Verify the freezer temperature is near 0°F.
- 4 Verify the ice bin is properly installed.
- 5 Verify the ice maker arm is in the down position.
- 6 Verify water is being supplied to the unit.
- 7 Verify the water filter has been replaced within the last 12 months and installed properly.
- 8 Verify the water filter has been removed if a reverse osmosis filtration system is being used.

#### Blue or green ice.

- 1 Possible copper supply line corrosion. Contact a plumber to clean or replace.

#### Black flecks in the cubes.

- 1 Stop use and contact Sub-Zero Factory Certified Service.

#### Bad taste.

- 1 Defrost the freezer and clean with soap and water.
- 2 Place coffee grounds or charcoal briquettes in the freezer to absorb odor.

#### Hollow cubes.

- 1 Clean the condenser. Contact Sub-Zero Factory Certified Service if unresolved.

### ODOR

- 1 Clean the unit before using for the first time. This will clear any odors that may have been trapped during shipping.
- 2 Replace the air purification cartridge.
- 3 Clean the unit and shelving thoroughly.
- 4 Cover uncovered food.



## Service

- Maintain the quality built into your product by contacting Sub-Zero Factory Certified Service. For the name of the nearest Sub-Zero Factory Certified Service, check the Product Support section of our website, [subzero.com](http://subzero.com) or call Sub-Zero Customer Care at 800-222-7820.
- When contacting service, you will need the model and serial number of your unit. Both numbers are listed on the product rating plate. Refer to pages 6–7 for rating plate location.
- For warranty purposes, you will also need the date of installation and name of your authorized Sub-Zero dealer. This information should be recorded on page 3.

## Sub-Zero Residential Limited Warranty

### FOR RESIDENTIAL USE

#### FULL TWO YEAR WARRANTY\*

For two years from the date of original installation, this Sub-Zero product warranty covers all parts and labor to repair or replace, under normal residential use, any part of the product that proves to be defective in materials or workmanship. All service provided by Sub-Zero under the above warranty must be performed by Sub-Zero Factory Certified Service, unless otherwise specified by Sub-Zero, Inc. Service will be provided during normal business hours.

#### FULL FIVE YEAR SEALED SYSTEM WARRANTY

For five years from the date of original installation, this Sub-Zero product warranty covers all parts and labor to repair or replace, under normal residential use, these parts that prove to be defective in materials or workmanship: compressor, condenser, evaporator, drier and all connecting tubing. All service provided by Sub-Zero under the above warranty must be performed by Sub-Zero Factory Certified Service, unless otherwise specified by Sub-Zero, Inc. Service will be provided during normal business hours.

#### LIMITED TWELVE YEAR SEALED SYSTEM WARRANTY

For twelve years from the date of original installation, Sub-Zero will repair or replace the following parts that prove to be defective in materials or workmanship: compressor, condenser, evaporator, drier and all connecting tubing. If the owner uses Sub-Zero Factory Certified Service, the service provider will repair or replace these parts with the owner paying for all other costs, including labor. If the owner uses non-certified service, the owner must contact Sub-Zero, Inc. (using the information below) to receive repaired or replacement parts. Sub-Zero will not reimburse the owner for parts purchased from non-certified service or other sources.

#### TERMS APPLICABLE TO EACH WARRANTY

The warranty applies only to products installed for normal residential use. The warranty applies only to products installed in any one of the fifty states of the United States, the District of Columbia or the ten provinces of Canada. This warranty does not cover any parts or labor to correct any defect caused by negligence, accident or improper use, maintenance, installation, service or repair.

**THE REMEDIES DESCRIBED ABOVE FOR EACH WARRANTY ARE THE ONLY ONES THAT SUB-ZERO, INC. WILL PROVIDE, EITHER UNDER THIS WARRANTY OR UNDER ANY WARRANTY ARISING BY OPERATION OF LAW. SUB-ZERO, INC. WILL NOT BE RESPONSIBLE FOR ANY CONSEQUENTIAL OR INCIDENTAL DAMAGES ARISING FROM THE BREACH OF THIS WARRANTY OR ANY OTHER WARRANTY, WHETHER EXPRESS, IMPLIED OR STATUTORY.**

Some states do not allow the exclusion or limitation of incidental or consequential damages, so the above limitation or exclusion may not apply to you. This warranty gives you specific legal rights and you may also have other legal rights that vary from state to state.

To receive parts and/or service and the name of Sub-Zero Factory Certified Service nearest you, contact Sub-Zero, Inc., P.O. Box 44848, Madison, WI 53744; check the Product Support section of our website, [subzero.com](http://subzero.com), email us at [customerservice@subzero.com](mailto:customerservice@subzero.com), or call 800-222-7820.

\*Stainless steel (doors, panels, handles, product frames and interior surfaces) are covered by a limited 60-day parts and labor warranty for cosmetic defects.

\*Replacement water filters and air purification cartridges are not covered by the product warranty.



## Sub-Zero Outdoor Limited Warranty\*

### FOR RESIDENTIAL USE

#### FULL ONE YEAR WARRANTY\*\*

For one year from the date of original installation, this Sub-Zero product warranty covers all parts and labor to repair or replace, under normal residential use, any part of the product that proves to be defective in materials or workmanship. All service provided by Sub-Zero under the above warranty must be performed by Sub-Zero Factory Certified Service, unless otherwise specified by Sub-Zero, Inc. Service will be provided during normal business hours.

#### FULL FIVE YEAR SEALED SYSTEM WARRANTY

For five years from the date of original installation, this Sub-Zero product warranty covers all parts and labor to repair or replace, under normal residential use, these parts that prove to be defective in materials or workmanship: compressor, condenser, evaporator, drier and all connecting tubing. All service provided by Sub-Zero under the above warranty must be performed by Sub-Zero Factory Certified Service, unless otherwise specified by Sub-Zero, Inc. Service will be provided during normal business hours.

#### TERMS APPLICABLE TO EACH WARRANTY

The warranty applies only to products installed for normal residential use. The warranty applies only to products installed in any one of the fifty states of the United States, the District of Columbia or the ten provinces of Canada. This warranty does not cover any parts or labor to correct any defect caused by negligence, accident or improper use, maintenance, installation, service or repair.

**THE REMEDIES DESCRIBED ABOVE FOR EACH WARRANTY ARE THE ONLY ONES THAT SUB-ZERO, INC. WILL PROVIDE, EITHER UNDER THIS WARRANTY OR UNDER ANY WARRANTY ARISING BY OPERATION OF LAW. SUB-ZERO, INC. WILL NOT BE RESPONSIBLE FOR ANY CONSEQUENTIAL OR INCIDENTAL DAMAGES ARISING FROM THE BREACH OF THIS WARRANTY OR ANY OTHER WARRANTY, WHETHER EXPRESS, IMPLIED OR STATUTORY.**

Some states do not allow the exclusion or limitation of incidental or consequential damages, so the above limitation or exclusion may not apply to you. This warranty gives you specific legal rights and you may also have other legal rights that vary from state to state.

To receive parts and/or service and the name of Sub-Zero Factory Certified Service nearest you, contact Sub-Zero, Inc., P.O. Box 44848, Madison, WI 53744; check the Product Support section of our website, [subzero.com](http://subzero.com), email us at [customerservice@subzero.com](mailto:customerservice@subzero.com), or call 800-222-7820.

\*Product must be approved for outdoor use, designated by model and serial number.

\*\*Stainless steel (doors, panels, handles, product frames and interior surfaces) are covered by a limited 60-day parts and labor warranty for cosmetic defects.

\*\*Replacement water filters are not covered by the product warranty.



## Contenido

|           |                                       |
|-----------|---------------------------------------|
| <b>3</b>  | Refrigeración de la Serie de Diseño   |
| <b>4</b>  | Precauciones de seguridad             |
| <b>6</b>  | Características de la Serie de Diseño |
| <b>8</b>  | Controles táctiles                    |
| <b>10</b> | Almacenamiento                        |
| <b>14</b> | Funcionamiento del producto           |
| <b>20</b> | Conservación de alimentos             |
| <b>22</b> | Recomendaciones para el cuidado       |
| <b>23</b> | Solución de problemas                 |
| <b>26</b> | Garantía de Sub-Zero                  |

## Atención al cliente

El modelo y número de serie están impresos en la tarjeta de registro del producto adjunta. Ambos números también aparecen en la placa de datos del producto. Consulte las páginas 6 a 7 para encontrar la placa de datos. Para fines de la garantía, también necesitará la fecha de instalación y el nombre de su distribuidor autorizado de Sub-Zero. Guarde la siguiente información para consultas posteriores.

### INFORMACIÓN DE SERVICIO

---

Número de modelo

---

Número de serie

---

Fecha de la instalación

---

Nombre de servicio certificado

---

Número de servicio certificado

---

Distribuidor autorizado

---

Número de distribuidor

---

Si su producto alguna vez necesita servicio, use un proveedor de servicio certificado de fábrica de Sub-Zero y recomendado por nuestro centro de atención al cliente, o seleccione uno de nuestra lista de proveedores disponibles en [subzero.com/locator](http://subzero.com/locator). Nosotros cuidadosamente seleccionamos y rigurosamente capacitamos a todos los proveedores de servicios certificados.

## Aviso importante

Para garantizar que este producto se instale y opere de la forma más segura y eficiente posible, tome nota de los siguientes tipos de información resaltada en este manual:

**AVISO IMPORTANTE** señala la información que es especialmente importante.

### ⚠ PRECAUCIÓN

Indica una situación en la que se pueden sufrir heridas leves o provocar daños al producto si no se siguen las instrucciones.

### ⚠ ADVERTENCIA

Indica peligro de que se produzcan heridas graves o incluso la muerte si no se siguen las precauciones.

**AVISO IMPORTANTE:** En toda esta guía, las dimensiones entre paréntesis son milímetros, a menos que se especifique lo contrario.

## INSTRUCCIONES IMPORTANTES

### ▲ ADVERTENCIA

No almacene sustancias explosivas, tales como latas de aerosol con un propulsor inflamable en este electrodoméstico.

### ▲ ADVERTENCIA

Mantenga las aberturas de ventilación despejadas, en el revestimiento del electrodoméstico o en la estructura empotrada, sin obstrucciones.

### ▲ ADVERTENCIA

No utilice dispositivos mecánicos u otros medios para acelerar el proceso de descongelación, salvo los recomendados por el fabricante.


### ▲ ADVERTENCIA

No exponga el electrodoméstico a la lluvia.

### ▲ ADVERTENCIA

Este electrodoméstico es exclusivamente para uso residencial.

### ▲ ADVERTENCIA

- Este aparato contiene refrigerante inflamable y debe ser manipulado, instalado, reparado y retirado del servicio por personal autorizado. Una vez desmantelado, consulte a las autoridades locales para obtener instrucciones de deshecho.
- Para minimizar el riesgo de ignición debido a una instalación, piezas de repuesto o procedimientos de servicio inadecuados, sólo se permite trabajar en este equipo a los técnicos en refrigeración con formación en refrigerantes inflamables que sean conscientes de los peligros de tratar con electricidad de alto voltaje y refrigerante bajo presión.
- No dañe el circuito de refrigeración al instalar, mantener o reparar la unidad.
-  Este símbolo indica riesgo de incendio/ material ignífugo.

### ▲ PRECAUCIÓN

Los fabricantes de hielo incorporados deben ser instalados por el fabricante o su agente de servicio.

### ▲ ADVERTENCIA

No utilice aparatos eléctricos dentro de los compartimentos de almacenamiento de alimentos del electrodoméstico, a menos que sean del tipo recomendado por el fabricante.

## INSTRUCCIONES IMPORTANTES

### ▲ ADVERTENCIA

Este electrodoméstico no está indicado para que lo usen personas con capacidades físicas, sensoriales o mentales reducidas o que carezcan de experiencia o conocimiento, a menos que una persona responsable de su seguridad los supervise o le haya dado instrucciones sobre el uso del electrodoméstico. Se debe supervisar a los niños para asegurarse de que no jueguen con el electrodoméstico.

### ▲ ADVERTENCIA

**PELIGRO:** Riesgo de atrapamiento de un niño. Antes de que se deshaga de su refrigerador o congelador viejo:

- Retire las puertas.
- Deje los estantes y divisores de cajones en su lugar para que los niños no se metan dentro fácilmente.

### ▲ ADVERTENCIA

**PROPOSICIÓN 65 PARA LOS RESIDENTES DE CALIFORNIA**

Cáncer y daño reproductivo:  
[www.P65Warnings.ca.gov](http://www.P65Warnings.ca.gov)

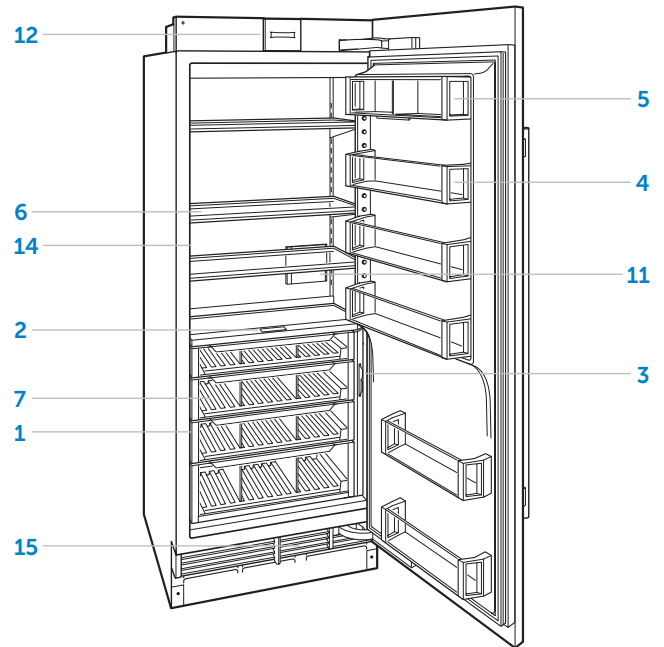
**Este electrodoméstico es de uso doméstico y similares como:**

- áreas de cocina del personal en fábricas, oficinas y otros entornos laborales
- granjas y por clientes en hoteles, moteles y otros entornos residenciales
- ambientes tipo hostel o posada
- provisión de comida y aplicaciones similares que no sean de venta minorista

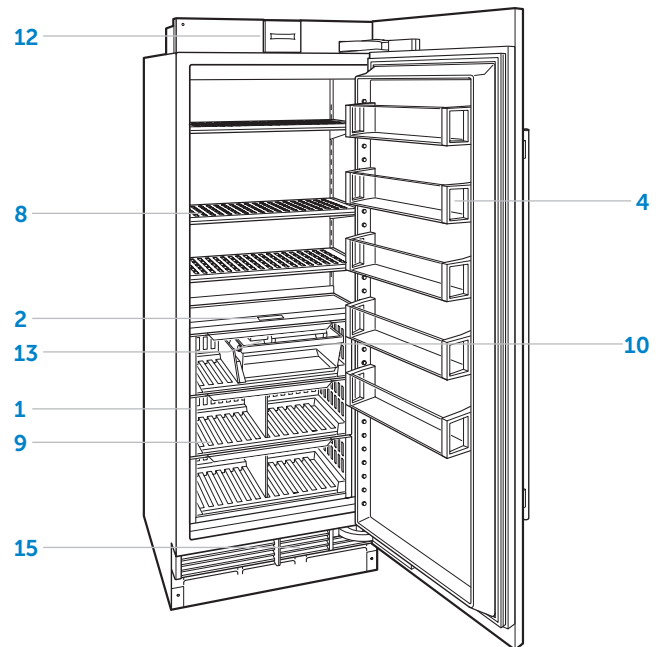
## Características de la Serie de Diseño

### CARACTERÍSTICAS

|    |  |
|----|--|
| 1  | Placa de datos del producto                                      |
| 2  | Panel de control táctil  |
| 3  | Tarjetas de frescura   |
| 4  | Estantes ajustables de la puerta                                 |
| 5  | Compartimiento de lácteos rebatible                              |
| 6  | Estantes del refrigerador  |
| 7  | Cajones de almacenamiento del refrigerador                       |
| 8  | Estantes del congelador  |
| 9  | Cajones de almacenamiento del congelador                         |
| 10 | Recipiente para el hielo desmontable                             |
| 11 | Sistema de purificación de aire                                  |
| 12 | Sistema de filtrado de agua                                      |
| 13 | Fábricador automático de hielo (modelos con fabricante de hielo) |
| 14 | Dispensador de agua interno (modelos con dispensador)            |
| 15 | Condensador (detrás de la rejilla)                               |

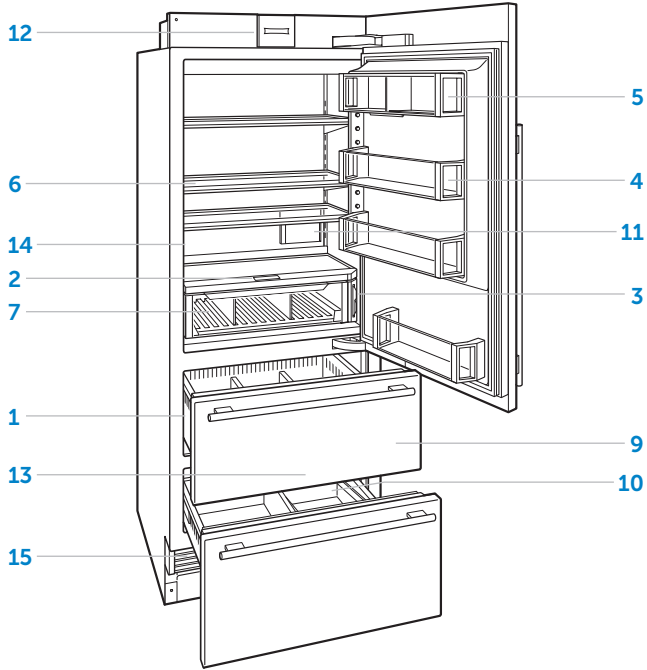


Refrigerador todo de columna

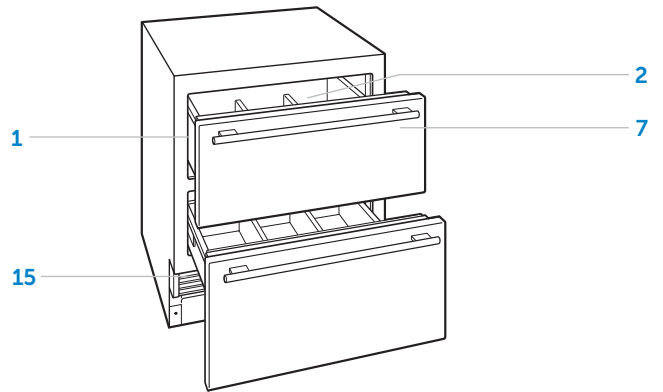


Congelador todo de columna

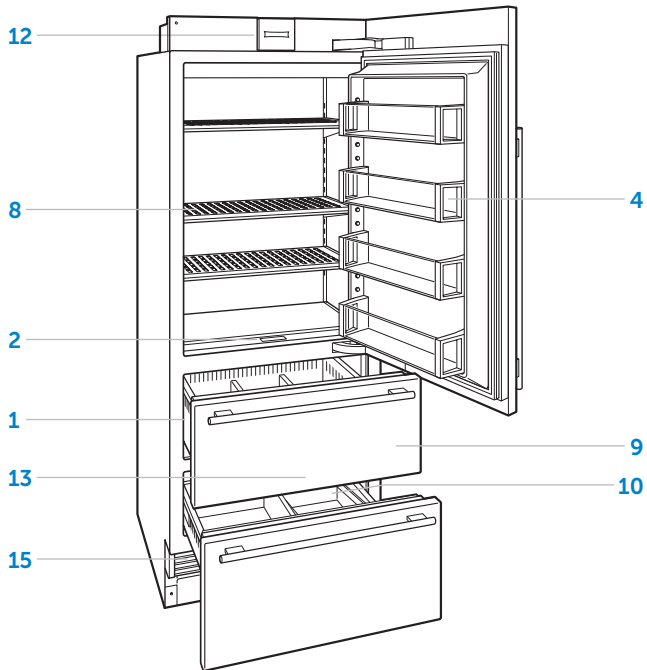




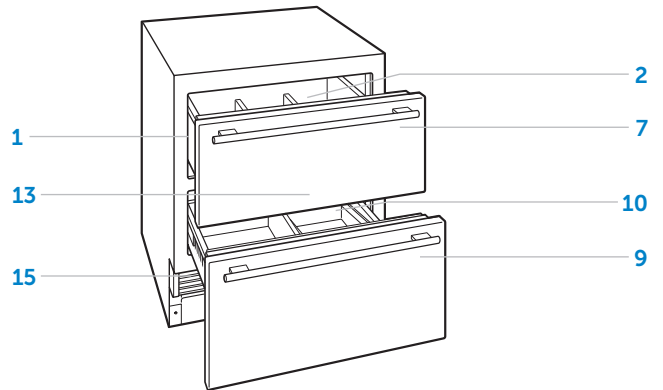
Refrigerador alto de combinación



Refrigerador todo de cajones




Congelador alto



Combinación de cajones


## Panel de control táctil

Para la puesta en marcha inicial, toque y mantenga presionado el botón  en el panel de control durante 2 segundos.

Las temperaturas recomendadas están configuradas a 0°F (-18°C) para el congelador, y 38°F (3°C) para el refrigerador. Las temperaturas pueden ajustarse en incrementos de un grado. El modelo combinado tiene dos zonas de temperatura.

### Para ajustar la temperatura:

- 1 Pulse la temperatura para ajustarla.
- 2 Pulse + o – hasta que muestre la temperatura deseada. Consulte la siguiente ilustración.

Para configurar otros parámetros, presione  en la pantalla del panel de control. Consulte la siguiente ilustración.










Pantalla de inicio de zona doble



Pantalla de inicio de zona sencilla

## CONFIGURACIÓN

|   |   |
|---|---|
|    | Ajusta la temperatura y la humedad del cajón del refrigerador                         |
|    | Enciende y apaga la función de ice maker (fabricador de hielo) y max ice (hielo máx.) |
|    | Enciende y apaga el purificador de aire   |
|    | Ajusta la suavidad en la iluminación y las luces de acento (si corresponde)           |
|    | Enciende o apaga el modo de noche   |
|    | Enciende o apaga el dispensador   |
|    | Enciende o apaga la alarma de la puerta y ajusta la duración                          |
|   | Ajusta el volumen y el tono de la alarma de la puerta                                 |
|  | Enciende o apaga el recordatorio del filtro de agua                                   |
|  | Activa la conexión y desconexión (si corresponde)                                     |
|  | Enciende o apaga la unidad  |
|  | Activa o desactiva el modo Sabbath  |
|  | Ajusta las unidades de temperatura  |
|  | Selecciona el idioma  |
|  | Información del sistema   |
|  | Vea cómo solucionar problemas y la información del servicio técnico                   |

### Cómo conectar este electrodoméstico

Conecte este electrodoméstico para monitorearlo y controlarlo remotamente. Para conectarlo se requiere un enrutador inalámbrico, una conexión a Internet con un nombre de la red y una contraseña, y un dispositivo móvil compatible. No hay límite para el número de electrodomésticos que usted puede conectar a una cuenta. Conecte los productos de múltiples hogares a la misma cuenta. Conectar los electrodomésticos es opcional.

#### Conéctese hoy mismo para:

- Recibir alertas, actualizaciones de estado y notificaciones de mantenimiento rutinario.
- Disponga las tareas diarias con la ayuda de controles remotos y comandos de voz.
- Acceda fácilmente a manuales de usuario y consejos sobre limpieza y mantenimiento.

#### Para conectar:

- 1 Descargue la aplicación gratuita Sub-Zero Group Owner de Apple App Store o Google Play.
- 2 Active la función de Bluetooth en el dispositivo, ubíquese a poca distancia del electrodoméstico, abra la aplicación y siga las instrucciones de la pantalla.
- 3 Inicie sesión o cree una cuenta.
- 4 Pulse Add An Appliance (Agregar un electrodoméstico) o pulse + en la parte superior derecha de la pantalla para agregar electrodomésticos. Para identificar cuál electrodoméstico emparejar, abra la puerta del electrodoméstico,
- 5 Pulse + al lado del electrodoméstico para seleccionarlo. Si aparecen electrodomésticos idénticos, siga el paso adicional en pantalla para identificar cuál electrodoméstico emparejar.
- 6 Pulse Pair Via Bluetooth® (emparejar por medio de Bluetooth). Espere hasta que se complete la configuración, y luego pulse Set Up Your Appliance For Pairing (Configurar su electrodoméstico para emparejamiento).
- 7 Pulse Choose a Network (Elegir una red) en la pantalla Connect Your Appliance to Wi-Fi (Conectar su electrodoméstico a Wi-Fi).
- 8 Seleccione la red de Wi-Fi de la casa e introduzca la contraseña de la red.
- 9 Pulse Turn on Notifications (Activar notificaciones) para permitir las notificaciones sobre el electrodoméstico (por ejemplo, door left ajar (puerta parcialmente abierta)).
- 10 Pulse Done (Listo) en la pantalla Success (Éxito) para completar la configuración.

## Dual Refrigeration®

Esta unidad Sub-Zero incorpora un exclusivo sistema de refrigeración doble (Dual Refrigeration®) para mantener los alimentos frescos durante más tiempo.

Con el sistema de refrigeración doble de Sub-Zero, los sistemas individuales del refrigerador y el congelador han sido diseñados para mantener una temperatura precisa y constante, así como niveles de humedad adecuados para que los alimentos se conserven durante más tiempo. La refrigeración doble Dual Refrigeration® elimina la transferencia de olores de los alimentos frescos a los congelados o al hielo y no congela la humedad presente en el aire en la sección de alimentos frescos.

## Split Climate™

Este sistema de enfriamiento inteligente revoluciona las ya superiores capacidades de conservación de Sub-Zero, manteniendo los alimentos aún más frescos por más tiempo.

## ClearSight™

Este sistema de iluminación LED inteligente ilumina completamente el interior y reduce las sombras.

## Almacenamiento en el refrigerador

### ESTANTES AJUSTABLES DE LA PUERTA

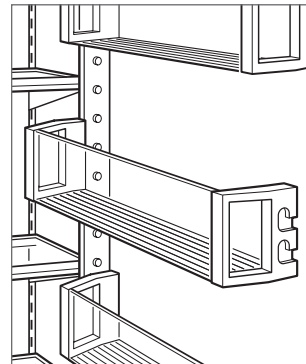
**Para cambiar de posición un estante de puerta o un compartimiento para lácteos:**

- 1 Para quitar, alce el estante desde la parte inferior y deslice sacándolo. Consulte la siguiente ilustración.
- 2 Para instalarlo, colóquelo en la posición deseada y deslice el estante en las guías.

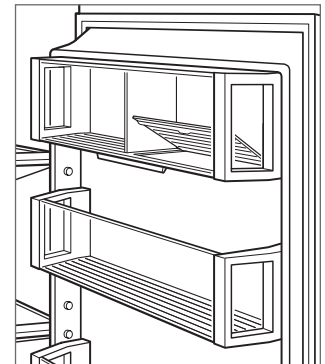
**AVISO IMPORTANTE:** Si la apertura de la puerta está limitada a 90°, puede ser necesario extraer los estantes antes de extraer un cajón o estante de cristal.

### COMPARTIMIENTO DE LÁCTEOS REBATIBLE

La parte inferior del compartimiento de lácteos gira hacia arriba para poder acomodar artículos más altos debajo. Para modelos sin divisores verticales en el compartimiento, toda la parte inferior gira hacia arriba. Para modelos con un divisor vertical, una sección gira hacia arriba. Consulte la siguiente ilustración.



Extracción de los estantes de la puerta



Compartimiento de lácteos rebatible

## Almacenamiento en el refrigerador

### ESTANTES DE CRISTAL

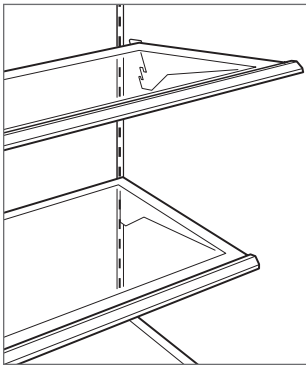
#### Para cambiar de posición un estante de vidrio:

- 1 Para extraer, incline el estante hacia arriba, luego alce y sáquelo. Consulte la siguiente ilustración.
- 2 Para instalarlo, inserte el estante en las guías que corren a lo largo de la pared posterior, luego baje la parte delantera hasta que encaje en su posición.

**AVISO IMPORTANTE:** Tenga cuidado al manipular los estantes de vidrio para evitar que se rompan o que rayen el interior.

#### ⚠ PRECAUCIÓN

Debe dejar que los estantes de vidrio alcancen la temperatura ambiente antes de sumergirlos en agua tibia.



Extracción de los estantes de vidrio

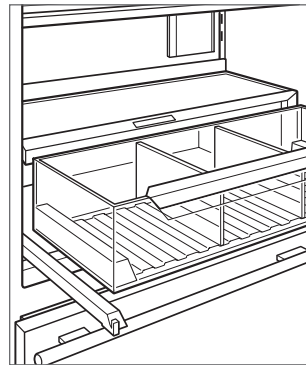
### CAJONES DE ALMACENAMIENTO DEL REFRIGERADOR

#### Para extraer e instalar un cajón del refrigerador:

- 1 Para extraerlo, jale el cajón para abrirlo hasta que se detenga.
- 2 Levante ligeramente el cajón por la parte delantera y jale para sacarlo. Consulte la siguiente ilustración.
- 3 Para instalar el cajón, saque el soporte del cajón y alinee la parte inferior del cajón con el soporte.
- 4 Deslice el cajón a su posición inicial.

#### Para cambiar la posición de un divisor del cajón del refrigerador:

- 1 Para extraerlo, jale del divisor directamente hacia arriba.
- 2 Para volver a colocarlo, alinee las pestañas del divisor con las muescas en el cajón y presiónelo hacia abajo.



Extracción de los cajones del refrigerador

## Cajones de almacenamiento

### CUBIERTA PARA CONTROL DE HUMEDAD

La cubierta para control de humedad en el cajón de almacenamiento superior se puede cerrar, dejar abierta o retirarse.

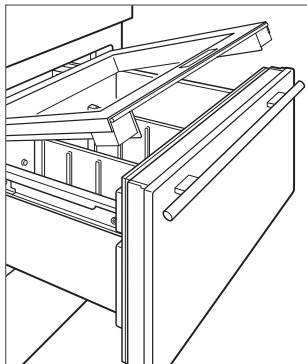
#### Para retirar la cubierta para control de humedad:

- 1 Jale el cajón de almacenamiento superior en su totalidad.
- 2 Alce ligeramente el extremo frontal de la cubierta para control de humedad y júlela hacia delante y afuera del cajón. Consulte la siguiente ilustración.

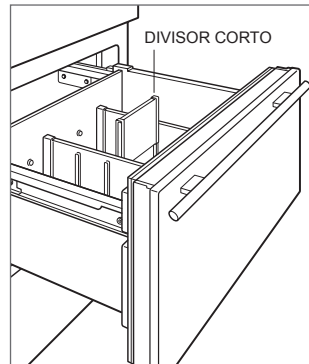
### DIVISORES DE CAJONES

#### Para reposicionar un divisor de cajones:

- 1 Para extraer un divisor corto, flexione un poco el divisor largo, luego júlelo hacia arriba. Consulte la siguiente ilustración.
- 2 Solo para modelos de cajones de 36 "de ancho, se puede ajustar un divisor largo. Para extraer un divisor largo, debe extraer los divisores cortos. Jale el divisor hacia arriba hasta que llegue al tope, gire en sentido opuesto a las manecillas del reloj y júlelo hacia arriba.
- 3 Para instalar un divisor largo, alinee las ranuras con las pestañas del cajón, gire en el sentido de las agujas del reloj y luego deslícelo hacia abajo.
- 4 Para instalar un divisor corto, colóquelo como lo desee, luego bajar deslizándose.



Cubierta para control de humedad



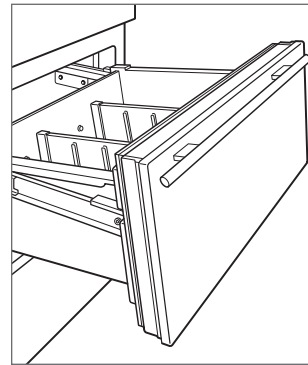
Divisores de cajones

### EXTRACCIÓN DEL CAJÓN

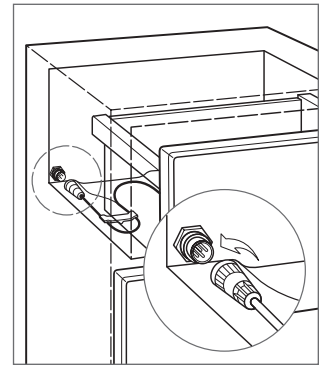
#### Para extraer/installar un cajón de almacenamiento:

- 1 Para extraerlo, jale el cajón para abrirlo hasta que se detenga. Alce ligeramente el cajón por la parte delantera y jale para sacarlo. Consulte la siguiente ilustración.
- 2 Para instalarlo, levante la parte frontal del cajón y colóquelo sobre los rieles. Alinee el fondo del cajón con los ganchos de los rieles, luego alinee las clavijas blancas que se encuentran al frente de la carretilla con los orificios que se encuentran al frente del cajón.

**AVISO IMPORTANTE:** Para los modelos con cajones, el cajón superior tiene un cable de control que debe desconectarse antes de retirar el cajón. Consulte la siguiente ilustración.



Extracción del cajón



Cable de control (modelo de cajón)

## Almacenamiento del congelador

### CAJONES DE ALMACENAMIENTO DEL CONGELADOR

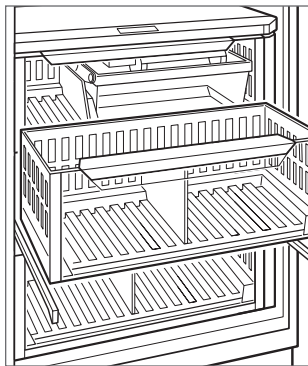
#### Para retirar un cajón del congelador:

- 1 Jale el cajón para abrirlo hasta que se detenga.
- 2 Ubique las dos pestañas de plástico en el frente del cajón detrás de las esquinas inferiores.
- 3 Jale las pestañas hacia delante, luego levante y saque. Revise las siguientes ilustraciones.

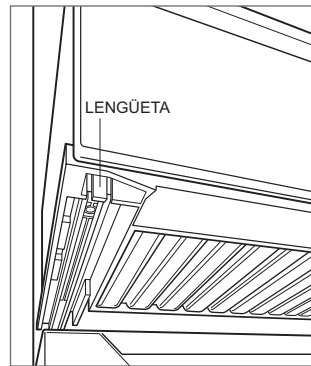
Si la apertura de la puerta está limitada a 90°, debe quitar el cajón superior antes de extraer los cajones intermedio o inferior.

#### Para instalar un cajón del congelador:

- 1 Empuje las carretillas de cajón hacia dentro.
- 2 Alinee el cajón con las carretillas y presione hacia atrás hasta que se detenga.
- 3 Presione hacia abajo en la parte delantera del cajón para enganchar las carretillas.



Cajón del congelador de columna



Pestaña del cajón del congelador

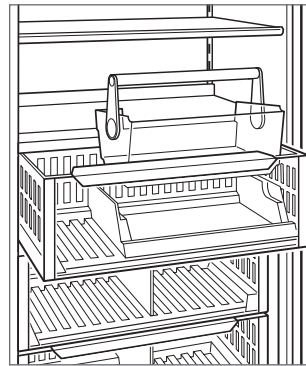
### RECIPIENTE PARA EL HIELO

#### Para extraer el recipiente para el hielo (modelo de columna):

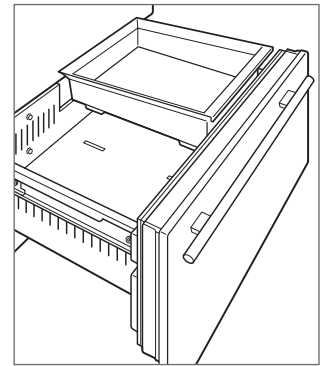
- 1 Jale el cajón del congelador para abrirlo hasta que se detenga.
- 2 Levante el recipiente para el hielo y extráigalo. Consulte la siguiente ilustración.

#### Para extraer el recipiente para el hielo (modelos alto y con cajones):

- 1 Jale el cajón del congelador para abrirlo hasta que se detenga.
- 2 Levante el recipiente para el hielo y extráigalo. Consulte la siguiente ilustración.



Recipiente para el hielo en modelos de columna



Recipiente para el hielo en modelos altos y de cajón

## Temperatura



### CONTROL DE TEMPERATURA

Para optimizar la conservación de alimentos, la temperatura de los cajones del refrigerador es ajustable de manera automática y manual. Todos los cajones están dispuestos a la misma temperatura y no pueden ajustarse individualmente.

**Modo Auto**—ajusta automáticamente la temperatura de los cajones del refrigerador 2° por debajo de la temperatura establecida del refrigerador, pero no puede ser inferior a 34°F (1°C).

**Modo Manual**—ajusta manualmente los cajones del refrigerador hasta 2° por encima o por debajo del punto de ajuste del refrigerador, pero no puede ser inferior a 34°F (1°C) o superior a 42°F (6°C).

#### Para ajustar la temperatura:




- 1 Presione .
- 2 Presione .
- 3 Presione "A" o "M" para alternar entre uno y otro modo.
- 4 Presione + o – para ajustar la temperatura manualmente.

## Humedad

### CONTROL DE LA HUMEDAD

Para optimizar la conservación de los alimentos, el nivel de humedad del refrigerador se puede ajustar entre humedad normal y humedad mejorada (aumentada). Algunas verduras (verduras de hoja verde, hierbas, coliflor, coles de Bruselas, brócoli, zanahorias, pimientos y espárragos) se benefician de una mayor humedad; sin embargo, las proteínas y las frutas generalmente se benefician de una humedad normal. Si aparece condensación/humedad dentro del refrigerador, verifique que la configuración esté configurada en Normal.

#### Para ajustar la humedad:

- 1 Presione .
- 2 Presione .
- 3 Presione  para alternar entre configuraciones.



## Sistema de purificación de aire

Muchos alimentos frescos emiten gas etileno, un compuesto que se da naturalmente y que acelera la maduración de los alimentos y su deterioro. Si su unidad está equipada con un sistema de purificación de aire, el cartucho viene instalado de fábrica y está situado en la pared posterior del refrigerador.

Para iniciar la purificación del aire, presione  en la pantalla de opciones.

### ⚠ PRECAUCIÓN

**El sistema de purificación de aire cumple con los requisitos federales aplicables en relación con la exposición incidental a la luz ultravioleta. La lámpara contiene mercurio. A la hora de deshacerse de ella, acate las leyes vigentes al respecto. Visite [earth911.com](http://earth911.com) o llame al 800-222-7820.**

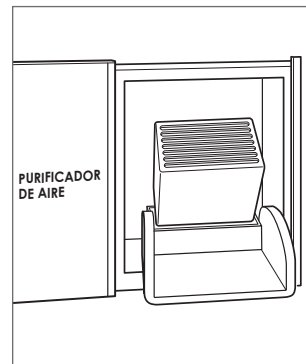
## CARTUCHO DE PURIFICACIÓN DE AIRE

El cartucho de purificación de aire dura aproximadamente un año. El mensaje "Snooze/Refresh" (Posponer/Refrescar) aparecerá en el panel de control cuando sea necesario reemplazar el cartucho. Pulse "Snooze" (Posponer) para retrasar el recordatorio durante 24 horas o hasta que el cartucho se pueda sustituir.

El reemplazo de los cartuchos de purificación de aire Sub-Zero se puede solicitar por Internet en [subzero.com/store](http://subzero.com/store). Si tiene alguna pregunta, comuníquese con la línea de atención al cliente de Sub-Zero al 800-222-7820.

### Para cambiar el cartucho de purificación de aire:

- 1 Para acceder al cartucho de purificación de aire, deslice la puerta hacia la izquierda.
- 2 Sujete la cubierta de color negro desde arriba y gire hacia abajo. El cartucho saldrá de su posición y podrá extraerlo. Consulte la siguiente ilustración.
- 3 Extraiga el cartucho nuevo de su empaque e inserte el cartucho en su sitio con el conector hacia abajo.
- 4 Cierre la cubierta de color negro y deslice la puerta hacia la derecha.
- 5 Siga las instrucciones del panel de control. El ciclo de vida del cartucho se reiniciará durante aproximadamente un año.



Cartucho de purificación de aire

## Sistema de filtrado de agua

El sistema de filtrado de agua suministra agua filtrada al fabricante de hielo y al dispensador de agua (modelos con dispensador) para producir agua y hielo de excelente sabor.

**AVISO IMPORTANTE:** Al utilizar el sistema de filtrado de agua por primera vez y después de cambiar el filtro, es necesario eliminar todo el aire del sistema y permitir que el filtro ayude a limpiar las líneas de agua. Para los modelos sin dispensador, deseche los dos primeros vasos llenos de hielo. Para los modelos con dispensador, deseche varios vasos de agua durante un período de dos minutos.

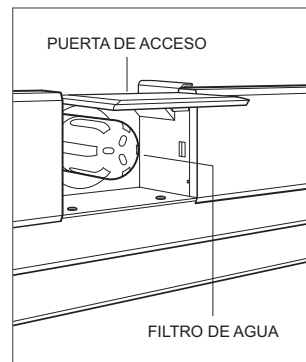
Si no va a utilizar el sistema de filtrado, puede colocarlo en el modo de desviación del filtro de agua al quitar el filtro.

El mensaje "Snooze/Refresh" (Posponer/Refrescar) aparecerá en el panel de control cuando sea necesario reemplazar el filtro. Pulse "Snooze" (Posponer) para retrasar el recordatorio durante 24 horas o hasta que el filtro se pueda sustituir.

Los filtros de agua de repuesto de Sub-Zero se pueden solicitar en Internet en [subzero.com/store](http://subzero.com/store). Si tiene alguna pregunta, comuníquese con la línea de atención al cliente de Sub-Zero al 800-222-7820.

### Para cambiar el filtro de agua:

- 1 Para obtener acceso al filtro de agua, jale el borde inferior de la puerta de acceso hacia fuera y gire hacia arriba. Consulte la siguiente ilustración.
- 2 Para retirar el filtro viejo, gírelo un cuarto de vuelta en sentido opuesto de las manecillas del reloj y sáquelo jalando. Es normal que gotee una pequeña cantidad de agua al extraer el filtro. Debe limpiarla con una servilleta de papel o un paño.
- 3 Saque el filtro nuevo del empaque y quite la tapa plástica.
- 4 Inserte el nuevo filtro en el múltiple y gire en sentido de las manecillas del reloj.
- 5 Una vez que haya instalado el filtro nuevo, siga las instrucciones que aparecen en el panel de control. El ciclo de vida del filtro se reiniciará durante aproximadamente un año.



Filtro de agua

## Datos del sistema de filtrado de agua Sub-Zero

**AVISO IMPORTANTE:** Lea atentamente esta Hoja de datos de rendimiento y compare las capacidades de esta unidad con sus necesidades de tratamiento de agua reales. Se recomienda que, antes de comprar una unidad de tratamiento de agua, pruebe su suministro de agua para determinar las necesidades de tratamiento de agua reales.



Sistema probado y certificado por NSF International según los estándares 42 y 53 de NSF / ANSI para la reducción de sustancias enumeradas a continuación.

La concentración de las sustancias indicadas en el agua de entrada al sistema fue reducida hasta una concentración menor que o igual al límite permisible para el agua que sale del sistema, según lo especificado en las Normas 42/53 de NSF/ANSI.

| Reducción de contaminantes*                                  | Concentración promedio de afluentes | Concentración de riesgos especificada por NFS            | Reducción de % promedio | Concentración de agua del producto |                  | Requisitos de reducción de NSF | Informe de prueba de NSF |
|--|-------------------------------------|--|-------------------------|------------------------------------|------------------|--------------------------------|--------------------------|
|  |                                     |  |                         | Media                              | Máxima permitida |                                |                          |
| Cloro, sabor y olor  | 2.0 mg/L                            | 2.0 mg/L $\pm$ 10%                                       | 97.5%                   | 0.05 mg/L                          | N/A              | $\geq$ 50%                     | J-00056501               |
| Partículas normales Clase I, de $\geq$ 0.5 a $<$ 1.0 $\mu$ m | 13,666,667 pts/ml                   | Por lo menos 10,000 partículas/ml                        | 98.9%                   | 143,333 pts/ml                     | N/A              | $\geq$ 85%                     | J-00056506               |
| Asbesto  | 96 MF/L                             | 10 <sup>7</sup> to 10 <sup>8</sup> fibras/L <sup>1</sup> | $>$ 99%                 | $<$ 1 MF/L                         | N/A              | $\geq$ 99%                     | J-00056511               |
| Atrazina   | 0.010 mg/L                          | 0.009 mg/L $\pm$ 10%                                     | 89.3%                   | 0.001 mg/L                         | 0.003 mg/L       | N/A                            | J-00056512               |
| Benceno  | 0.014 mg/L                          | 0.015 mg/L $\pm$ 10%                                     | 96.3%                   | 0.005 mg/L                         | 0.005 mg/L       | N/A                            | J-00056535               |
| Carbofurano  | 0.08 mg/L                           | 0.08 mg/L $\pm$ 10%                                      | 86.6%                   | 0.01 mg/L                          | 0.04 mg/L        | N/A                            | J-00056537               |
| Quiste**   | 122,500 quistes/L                   | Mínimo 50,000 quistes/L                                  | 99.99%                  | 1 quiste/L                         | N/A              | $\geq$ 99.99%                  | J-00056513               |
| Plomo a pH 6.5   | 0.153 mg/L                          | 0.15 mg/L $\pm$ 10%                                      | 99.3%                   | 0.001 mg/L                         | 0.010 mg/L       | N/A                            | J-00056515               |
| Plomo a pH 8.5   | 0.150 mg/L                          | 0.15 mg/L $\pm$ 10%                                      | 99.3%                   | 0.001 mg/L                         | 0.010 mg/L       | N/A                            | J-00058784               |
| Lindano  | 0.002 mg/L                          | 0.002 mg/L $\pm$ 10%                                     | 97.8%                   | 0.00004 mg/L                       | 0.0002 mg/L      | N/A                            | J-00058969               |
| Mercurio a pH 6.5  | 0.006 mg/L                          | 0.006 mg/L $\pm$ 10%                                     | 95%                     | 0.0003 mg/L                        | 0.002 mg/L       | N/A                            | J-00058785               |
| Mercurio a pH 8.5  | 0.006 mg/L                          | 0.006 mg/L $\pm$ 10%                                     | 88%                     | 0.0007 mg/L                        | 0.002 mg/L       | N/A                            | J-00058783               |
| Toxafeno   | 0.015 mg/L                          | 0.015 mg/L $\pm$ 10%                                     | 93.2%                   | 0.001 mg/L                         | 0.003 mg/L       | N/A                            | J-00056531               |
| Turbiedad  | 10.8 NTU                            | 11 $\pm$ 1 NTU   | 98.7%                   | 0.153 NTU                          | 0.5 NTU          | N/A                            | J-00058972               |
| P-Diclorobenceno   | 0.215 mg/L                          | 0.225 mg/L $\pm$ 10%                                     | 99.7%                   | 0.0005 mg/L                        | 0.075 mg/L       | N/A                            | J-00056538               |

\*Reducción de contaminantes determinada por pruebas de NFS. \*\*Basado en el uso de oocistos de *Cryptosporidium Parvum*. <sup>1</sup>Fibras mayores a 10  $\mu$ m en longitud.

### PAUTAS DE APLICACIÓN Y PARÁMETROS DEL SUMINISTRO DE AGUA

**Capacidad:** certificado hasta para 750 galones (2,839 L); hasta doce meses.

**Flujo de servicio:** 0.78 gpm (2.95 Lpm)

**Suministro de agua:** agua potable

**Presión del agua:** De 35 a 120 psi (de 2.8 a 8.2 bares)

**Temperatura del agua:** De 40°F a 100°F (de 5°C a 40°C)




### NOTAS ESPECIALES

- Puede ordenar los filtros de agua de Sub-Zero en línea en [subzero.com/store](http://subzero.com/store), o llame a la línea de atención al cliente al 800-222-7820.
- Se recomienda cambiar el cartucho del filtro cuando aparezca el indicador, si detecta una caída de presión, los cubos de hielo son huecos o cada 12 meses, lo que ocurra primero. Puede encontrar el precio para el filtro de repuesto en [subzero.com/store](http://subzero.com/store).
- Para que el producto se desempeñe según lo previsto, este filtro se debe instalar, operar y mantener como se establece.
- Tenga en cuenta que, aunque se realizaron pruebas bajo condiciones normales de laboratorio, el rendimiento real puede variar. Los contaminantes u otras sustancias eliminadas o reducidas por este sistema de filtrado de agua no necesariamente se encuentran en su agua.

Fabricado por: Sub-Zero, Inc., P.O. Box 44848, Madison, WI 53744, 800-222-7820

## Fabricador de hielo

### Para operar el fabricante de hielo:

- 1 Para iniciar el fabricante de hielo, presione  en la pantalla de opciones. Un solo cubo resaltado indica que el fabricante de hielo está activado.  indica que la característica max ice está activada.
- 2 Para desactivar el fabricante de hielo, presione  hasta que no haya ningún cubo resaltado.


Tras la puesta en marcha inicial, deseche las primeras tandas de hielo. El hielo puede contener impurezas de la nueva conexión de conductos.



Max ice (Hielo máx.) aumenta la producción de hielo hasta un 30% por un periodo de 24 horas. Durante ese periodo, algunos componentes pueden funcionar a una velocidad más alta que resulta en un tono audible único. Esto es normal y volverá a la normalidad después de 24 horas o cuando el recipiente para el hielo esté lleno.

Es posible que el hielo se fusione si no se usa con regularidad. Para evitar esto, deseche el hielo y deje que el fabricante de hielo vuelva a llenarse.



Apague el fabricante de hielo si el recipiente para el hielo se va a quitar por un período largo de tiempo. La unidad está equipada con un tiempo de espera de 3 minutos que empieza después de extraer el recipiente para el hielo, para garantizar que los cubos no salgan expulsados antes de poder desactivar el fabricante de hielo o volver a instalar el recipiente para el hielo.

## Modo de noche

El modo de noche reduce automáticamente el brillo de la luz interior cuando se detecta una luz ambiental tenue.  aparece en la esquina superior izquierda de la pantalla del panel de control cuando el modo de noche está activado.

 aparece cuando se detecta una luz ambiental tenue. El brillo de la luz interior permanece reducido durante tres minutos, incluso si la luz ambiental cambia. Presione  para aumentar el brillo.

### Para encender o apagar el modo de noche:

- 1 Presione .
- 2 Presione .

## Sabbath

Este electrodoméstico lleva el certificado Star-K que indica que cumple con estrictas normas religiosas junto con instrucciones específicas que aparecen en [www.star-k.org](http://www.star-k.org).


El modo Sabbath activa automáticamente las luces interiores con un brillo reducido. Las luces permanecen encendidas cuando la puerta se cierra. Las luces no pueden apagarse en el modo Sabbath.

El modo Sabbath se desactiva automáticamente después de 74 horas. Todas las preferencias de iluminación vuelven a su configuración anterior cuando se desactiva el modo Sabbath.

### Para activar el modo Sabbath:

- 1 Presione .
- 2 Pulse y mantenga presionado  durante 3 segundos.

### Para desactivar el modo Sabbath:

- 1 Pulse y mantenga presionado  durante 10 segundos.

## Dispensador de agua

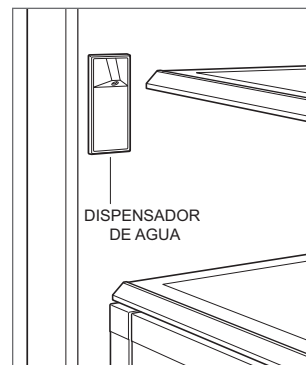
El tanque de agua interno de 32 oz (1 L) debe llenarse antes de que el agua fluya desde el dispensador. Pulse y mantenga presionada la palanca del dispensador de agua durante unos 60 segundos hasta que se dispense el agua.

La primera vez que se rellena el depósito o después de utilizar una gran cantidad de agua puede tardar varias horas en enfriar el agua a la temperatura del refrigerador.

El dispensador tiene una característica de seguridad incorporada para limitar el flujo continuo de agua a 60 segundos.

### Para dispensar agua:

- 1 Oprima un vaso contra el dispensador para activar el flujo de agua. Consulte la siguiente ilustración.
- 2 El flujo de agua se detendrá al retirar el vaso.



Dispensador de agua

## Conservación de alimentos

**Consejos para la conservación de alimentos**—Para reducir el riesgo de deterioro, minimice la manipulación de los alimentos. Almacene las frutas y las verduras por separado. Almacene las carnes en su paquete original; una vez abierto, vuelva a envolver ajustadamente.

**Gas etileno**—Muchos alimentos frescos emiten gas etileno, un compuesto que se da naturalmente y que acelera la maduración de los alimentos y su deterioro.. Los refrigeradores Sub-Zero vienen con un sistema de purificación de aire (basado en tecnología desarrollada por la NASA) que elimina el aire de etileno y el olor cada 20 minutos. Para reducir el deterioro, no almacene frutas o verduras que producen etileno con aquellas que son sensibles al etileno.

**e<sup>+</sup>** Indica un alimento que produce etileno.

**e<sup>-</sup>** Indica un alimento sensible al etileno.

**Humedad**—La humedad óptima varía para cada alimento. Para mantener los alimentos frescos más tiempo, almacene los alimentos en las áreas designadas en las tablas siguientes.

| ALIMENTOS | CÓDIGO E | REFRIGERADOR | CONGELADOR |
|-----------|----------|--------------|------------|
|-----------|----------|--------------|------------|

### ALIMENTOS FRESCOS

|                              |                |             |  |
|------------------------------|----------------|-------------|--|
| Alcachofas                   |                | 1–2 semanas | No se recomienda congelar verduras frescas |
| Espárragos                   |                | 2–3 semanas |  |
| Brotes de soja               |                | 7–9 días    |  |
| Ejotes y Frijoles anchos     | e <sup>-</sup> | 7–10 días   |  |
| Remolacha sin parte superior |                | 3–4 meses   |  |
| Repollo chino                | e <sup>-</sup> | 3 semanas   |  |
| Brócoli                      | e <sup>-</sup> | 1–2 semanas |  |
| Col                          | e <sup>-</sup> | 3–6 semanas |  |
| Zanahorias                   | e <sup>-</sup> | 1–5 meses   |  |
| Coliflor                     | e <sup>-</sup> | 3–4 semanas |  |
| Apio                         |                | 1–2 meses   |  |
| Maíz                         |                | 5–8 días    |  |
| Pepinos                      | e <sup>-</sup> | 10–14 días  |  |
| Berenjena*                   | e <sup>-</sup> | 1–2 semanas |  |
| Hierbas frescas              | e <sup>-</sup> | 1–3 semanas |  |
| Ajo*                         |                | 6–7 meses   |  |
| Jengibre*                    |                | 6 meses     |  |
| Jícama*                      |                | 1–2 meses   |  |
| Col rizada                   | e <sup>-</sup> | 1–2 meses   |  |
| Poro                         |                | 2 meses     |  |
| Lechuga                      | e <sup>-</sup> | 2–3 semanas |  |
| Hongos                       |                | 1–2 semanas |  |
| Cebolla                      |                | 1–6 meses   |  |
| Perejil                      | e <sup>-</sup> | 1–2 meses   |  |
| Chícharos                    | e <sup>-</sup> | 1–2 semanas |  |
| Pimientos (grande o chile)   | e <sup>-</sup> | 2–3 semanas |  |
| Papas*                       |                | 5–10 meses  |  |
| Rábanos                      |                | 1–2 meses   |  |
| Chalotes                     |                | 6 meses     |  |
| Espinacas                    | e <sup>-</sup> | 10–14 días  |  |
| Calabacita (piel suave)      | e <sup>-</sup> | 1–2 semanas |  |
| Tomates de árbol             |                | 7–10 días   |  |
| Castañas de agua             |                | 2–4 meses   |  |

\*No refrigerar.

## Conservación de alimentos

### ALIMENTOS CÓDIGO E REFRIGERADOR CONGELADOR

#### FRUTA FRESCA

| ALIMENTOS              | CÓDIGO E       | REFRIGERADOR | CONGELADOR                               |
|------------------------|----------------|--------------|--|
| Manzanas               | e <sup>+</sup> | 1–2 meses    | No se recomienda congelar frutas frescas |
| Albaricoques           | e <sup>+</sup> | 1–2 semanas  |  |
| Aguacates <sup>†</sup> | e <sup>+</sup> | 2–4 semanas  |  |
| Plátanos*              | e <sup>-</sup> | 1–4 semanas  |  |
| Arándanos              |                | 10–18 días   |  |
| Melón cantaloupe       | e <sup>+</sup> | 2–3 semanas  |  |
| Cerezas                |                | 2–3 semanas  |  |
| Higos                  | e <sup>+</sup> | 7–10 días    |  |
| Toronjas               |                | 6–8 semanas  |  |
| Uvas                   |                | 2–3 semanas  |  |
| Melón verde            | e <sup>-</sup> | 3–4 semanas  |  |
| Kiwis                  | e <sup>-</sup> | 4–6 semanas  |  |
| Limonas                |                | 1–6 meses    |  |
| Limas                  |                | 6–8 semanas  |  |
| Mangos <sup>†</sup>    | e <sup>+</sup> | 2–3 semanas  |  |
| Nectarinas             | e <sup>+</sup> | 2–4 semanas  |  |
| Naranjas               |                | 3–8 semanas  |  |
| Duraznos               |                | 2–4 semanas  |  |
| Peras <sup>†</sup>     | e <sup>+</sup> | 2–3 semanas  |  |
| Piña                   |                | 2–4 semanas  |  |
| Ciruelas               | e <sup>+</sup> | 2–5 semanas  |  |
| Frambuesas             |                | 3–6 días     |  |
| Fresas                 |                | 7–10 días    |  |
| Tomates*               | e <sup>+</sup> | 1–3 semanas  |  |

#### HUEVOS Y CARNES FRÍAS

| ALIMENTOS                       | CÓDIGO E | REFRIGERADOR | CONGELADOR                                      |
|---------------------------------|----------|--------------|---|
| Huevos (frescos)                |          | 3 semanas    | No se recomienda congelar huevos o carnes frías |
| Sustituto de huevo (abierto)    |          | 3 días       |   |
| Huevo, atún o ensalada de jamón |          | 3–5 días     |   |
| Carne embutida, tajadas finas   |          | 1–2 días     |   |

\*No refrigerar. <sup>†</sup>Dejar madurar a temperatura ambiente antes de refrigerar.

### ALIMENTOS CÓDIGO E REFRIGERADOR CONGELADOR

#### SOPA

|                    |  |          |           |
|--------------------|--|----------|-----------|
| Estofado con carne |  | 3–4 días | 2–3 meses |
| Sopa de verduras   |  | 3–4 días | 2–3 meses |

#### CARNES, PESCADOS Y AVES

|   |  |          |            |
|---|--|----------|------------|
| Tocino  |  | 7 días   | 1 mes      |
| Bistec de res, asado                          |  | 3–5 días | 6–12 meses |
| Pescado azul, perca                           |  | 2 días   | 2–3 meses  |
| Carne curada (corned beef)                    |  | 5–7 días | 1 mes      |
| Jamón (entero)                                |  | 7 días   | 1–2 meses  |
| Hamburguesa                                   |  | 1–2 días | 3–4 meses  |
| Platos de carne (cocinada)                    |  | 3–4 días | 2–3 meses  |
| Chuletas de cerdo y ternera                   |  | 3–5 días | 4–6 meses  |
| Ave de corral (cocinada)                      |  | 3–4 días | 4–6 meses  |
| Ave de corral (cruda)                         |  | 1–2 días | 9 meses    |
| Salmón, caballa                               |  | 4 días   | 5–9 meses  |
| Salchicha (cruda)                             |  | 1–2 días | 1–2 meses  |
| Camarón                                       |  | 1 día    | 6 meses    |
| Salchichas, hamburguesas de desayuno ahumadas |  | 7 días   | 1–2 meses  |

#### PRODUCTOS LÁCTEOS

|                             |  |             |           |
|-----------------------------|--|-------------|-----------|
| Mantequilla                 |  | 3 meses     | 1 año     |
| Queso cottage               |  | 1–2 semanas | 4 semanas |
| Crema a base de mantequilla |  | 2 semanas   | No recom. |
| Queso procesado             |  | 3–4 semanas | 6–8 meses |
| Leche entera o descremada   |  | 1–2 semanas | No recom. |
| Yogur                       |  | 1 mes       | No recom. |

## Limpieza

### EXTERIOR DE ACERO INOXIDABLE

Utilice un limpiador no abrasivo para acero inoxidable y aplique con un paño suave que no deje pelusa. Para resaltar el lustre natural, limpie suavemente la superficie con una tela de microfibra humedecida con agua y, luego, pule en seco con una gamuza. Siempre siga la dirección del acabado del acero inoxidable.

### LIMPIEZA INTERIOR

Para limpiar las superficies internas y todas las piezas móviles, lave con una disolución suave de jabón, agua y bicarbonato de sodio. Enjuague y seque completamente. Evite que el agua entre en contacto con las luces y el panel de control.

#### ⚠ PRECAUCIÓN

**No use vinagre, alcohol ni otros limpiadores a base de alcohol en ninguna superficie interna.**

### VACACIONES

Para vacaciones prolongadas, apague la unidad desde el panel de control. Vacíe la unidad y deje las puertas ligeramente abiertas para permitir la entrada de aire fresco y que el interior se mantenga seco. Debe cambiarse el filtro de agua antes de iniciar las operaciones.

### LIMPIEZA DEL CONDENSADOR

#### ⚠ PRECAUCIÓN

**Antes de limpiar el condensador, apague la unidad desde el panel de control. Utilice guantes para evitar que las aletas afiladas del condensador puedan provocarle heridas.**

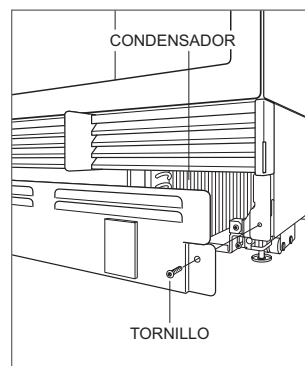
El condensador se encuentra situado detrás del zócalo. Limpie el condensador cada 6 a 12 meses.

#### Para limpiar el condensador:

- 1 Apague la unidad desde el panel de control.
- 2 Para quitar el zócalo extraiga los dos tornillos para montaje. Consulte la siguiente ilustración.
- 3 Use un cepillo de cerdas suaves y aspiradora para quitar el polvo y pelusa del condensador.

#### ⚠ PRECAUCIÓN

**Si no lo limpia, el condensador puede perder la temperatura o puede producirse un daño o falla mecánica en dicho condensador.**



Ubicación del condensador



## Solución de problemas

Antes de ponerse en contacto con el servicio certificado de fábrica de Sub-Zero, visite [subzero-wolf.com/assistance](http://subzero-wolf.com/assistance) o utilice estos consejos útiles para evitar la necesidad de una visita de servicio.

### OPERACIÓN DE LA UNIDAD

#### Las luces no funcionan o no enfría.

- 1 Compruebe si la energía está encendida.
- 2 Compruebe si llega corriente eléctrica a la unidad y si el disyuntor de la casa está encendido.

#### El refrigerador o el congelador no tienen luz.

- 1 La puerta/cajón tal vez se dejó ligeramente abierto, lo cual desactivó las luces para eliminar el exceso de calor. Si las luces están apagadas, mantenga la puerta/cajón cerrado durante una hora. Si las luces aún permanecen apagadas, póngase en contacto con el servicio certificado de fábrica de Sub-Zero.
- 2 El servicio certificado de fábrica de Sub-Zero debe reemplazar la luz LED interior.

#### No hay luz en el estante del refrigerador.

- 1 Verifique que el estante está instalado correctamente en las guías que corren a lo largo de la pared posterior.
- 2 Verifique que no hay nada (un contenedor alto o alimentos) que impida que el estante se inserte en las guías que corren a lo largo de la pared posterior.

#### Hay formación de escarcha, condensación o hielo dentro de la unidad.

- 1 Compruebe si el condensador está limpio.
- 2 Compruebe si la puerta/cajón cierra correctamente.
- 3 Compruebe que la puerta/cajón no se haya quedado abierto.
- 4 Compruebe que el empaque de la puerta/cajón no tenga rasgaduras ni roturas. En tal caso, póngase en contacto con el servicio certificado de fábrica de Sub-Zero.
- 5 Si la formación de hielo es muy gruesa, apague la unidad y use un secador de pelo para derretir el hielo. Debe usar el secador de pelo a baja temperatura y mantenerlo en movimiento en todo momento. Una vez que el hielo se derrita, seque el agua con un paño o toalla de papel.

#### A altas temperaturas, la unidad funciona en exceso o la unidad emite demasiado calor.

- 1 Compruebe si el condensador está limpio.
- 2 Compruebe si la puerta/cajón cierra correctamente.
- 3 Compruebe que la puerta/cajón no se haya quedado abierto.
- 4 El aumento de la temperatura ambiente puede causar que los compresores funcionen durante más tiempo.
- 5 Si la pantalla muestra una temperatura de 38° y 0°, pero no enfría, es posible que la unidad esté en modo de sala de exposición. Comuníquese con la línea de atención al cliente de Sub-Zero al 800-222-7820.

#### No sale agua del dispensador.

- 1 Espere una hora y pruebe nuevamente el dispensador. Si el problema no se resuelve, comuníquese con la línea de atención al cliente de Sub-Zero al 800-222-7820.

## Solución de problemas

### PRODUCCIÓN DE HIELO

#### No sale hielo.

- 1 Verifique si se visualiza el indicador de cubos de hielo en la pantalla del panel de control.
- 2 Compruebe que el fabricante de hielo haya estado encendido por lo menos por 24 horas.
- 3 Compruebe que la temperatura del congelador se aproxima a 0 °F.
- 4 Compruebe que el recipiente de hielo esté bien instalado.
- 5 Compruebe que el brazo del fabricante de hielo se encuentre en la posición hacia abajo.
- 6 Compruebe que la unidad tenga suministro de agua.
- 7 Compruebe que el filtro de agua haya sido reemplazado en los últimos 12 meses y si fue instalado correctamente.
- 8 Compruebe que el filtro de agua haya sido extraído o que se esté utilizando un sistema de filtrado por ósmosis inversa.

#### El hielo tiene un color azul o verde.

- 1 Probablemente haya corrosión en la línea de suministro de cobre. Póngase en contacto con un plomero para limpiarla o cambiarla.

#### Manchas negras en los cubos de hielo.

- 1 Detenga el uso y póngase en contacto con el servicio certificado de fábrica de Sub-Zero.

#### Mal sabor.

- 1 Descongele el congelador y límpielo con agua y jabón.
- 2 Coloque granos de café o pedazos de carbón en el congelador para absorber el olor.

#### Los cubos de hielo están huecos.

- 1 Limpie el condensador. Si no puede resolver el problema, póngase en contacto con el servicio certificado de fábrica de Sub-Zero.

### OLOR

- 1 Se debe limpiar la unidad antes de utilizarla por primera vez. Esto eliminará todos los olores que hayan quedado atrapados durante el envío.
- 2 Cambie el cartucho de purificación de aire.
- 3 Limpie a fondo la unidad y los estantes.
- 4 Los alimentos descubiertos pueden generar olores que pueden hacer necesaria una limpieza.

### Servicio

- Para mantener la calidad de su producto, póngase en contacto con el servicio certificado de fábrica de Sub-Zero. Para obtener los datos del servicio certificado de fábrica de Sub-Zero más cercano, eche un vistazo a la sección de contacto y servicio técnico en nuestro sitio web, [subzero.com](http://subzero.com) o llame a la línea de atención al cliente de Sub-Zero al 800-222-7820.
- Al comunicarse con el servicio, necesitará el modelo y número de serie de su unidad. Los dos números aparecen en la placa de datos del producto. Consulte las páginas 6 a 7 para encontrar la placa de datos.
- Para fines de la garantía, también necesitará la fecha de instalación y el nombre de su distribuidor autorizado de Sub-Zero. Esta información debe estar registrada en la página 3.

## Garantía limitada residencial de Sub-Zero

### PARA USO RESIDENCIAL

#### GARANTÍA COMPLETA DE DOS AÑOS\*

Durante dos años a partir de la fecha de la instalación original, la garantía de su producto Sub-Zero cubre todos los repuestos y mano de obra para reparar o cambiar, bajo el uso residencial normal, cualquier parte del producto que se compruebe que tiene defectos de material o mano de obra. Todos los servicios proporcionados por Sub-Zero bajo la garantía anterior deben ser realizados por servicios certificados de fábrica de Sub-Zero, a menos que Sub-Zero Inc. lo especifique de otra manera. El Servicio se hará durante el horario comercial normal.

#### GARANTÍA COMPLETA DE CINCO AÑOS SOBRE EL SISTEMA CERRADO

Durante cinco años a partir de la fecha de la instalación original, la garantía de Sub-Zero cubre todos los repuestos y mano de obra para reparar o cambiar, bajo el uso residencial normal, cualquiera de estos componentes que se compruebe que tiene defectos de material o mano de obra: compresor, condensador, evaporador, secador y toda la tubería de conexión. Todos los servicios proporcionados por Sub-Zero bajo la garantía anterior deben ser realizados por servicios certificados de fábrica de Sub-Zero, a menos que Sub-Zero Inc. lo especifique de otra manera. El Servicio se hará durante el horario comercial normal.

#### GARANTÍA LIMITADA DE DOCE AÑOS SOBRE EL SISTEMA CERRADO

Durante doce años a partir de la fecha de la instalación original, Sub-Zero reparará o cambiará los siguientes componentes que se compruebe que tienen defectos de material o mano de obra: compresor, condensador, evaporador, secador y toda la tubería de conexión. Si el propietario usa el servicio certificado de fábrica de Sub-Zero, el prestador del servicio reparará o cambiará estas piezas mediante el pago de todos los demás costos, incluyendo la mano de obra, a cargo del propietario. Si el propietario usa un servicio no certificado, debe ponerse en contacto con Sub-Zero, Inc. (mediante la información anotada más adelante) para recibir los componentes reparados o de reemplazo. Sub-Zero no reembolsará al propietario los importes correspondientes a componentes comprados a un servicio no certificado o a otras fuentes.

#### TÉRMINOS APLICABLES A CADA GARANTÍA

La garantía se aplica solamente a los productos instalados para uso residencial normal. La garantía se aplica solamente a los productos instalados en cualquiera de los cincuenta estados de Estados Unidos, el Distrito de Columbia o las diez provincias de Canadá. Esta garantía no cubre las partes o mano de obra para corregir cualquier defecto causado por negligencia, accidente o uso, mantenimiento, instalación, servicio o reparación inadecuados.

**LOS RECURSOS DESCRITOS ANTERIORMENTE PARA CADA GARANTÍA SON LOS ÚNICOS QUE SUB-ZERO, INC. PROPORCIONARÁ, YA SEA BAJO ESTA GARANTÍA O BAJO CUALQUIER GARANTÍA QUE RESULTE DE LA APLICACIÓN DE LA LEY. SUB-ZERO, INC. NO SE HACE RESPONSABLE POR LOS DAÑOS INDIRECTOS O INCIDENTALES DERIVADOS DEL INCUMPLIMIENTO DE ESTA GARANTÍA O CUALQUIER OTRA GARANTÍA, YA SEA EXPRESA, IMPLÍCITA O LEGAL.**

Algunos estados no permiten la exclusión o limitación de daños indirectos o incidentales, por lo que la limitación o exclusión anterior podría no aplicarse a su caso. Esta garantía le otorga derechos legales específicos y usted también puede tener otros derechos legales que varían entre estados.

Para recibir las partes o el servicio y el nombre del servicio certificado de fábrica de Sub-Zero más cercano a usted, póngase en contacto con Sub-Zero, Inc., P.O. Box 44848, Madison, WI 53744; eche un vistazo a la sección de soporte del producto en nuestro sitio web, [subzero.com](http://subzero.com), envíenos un correo electrónico a [customerservice@subzero.com](mailto:customerservice@subzero.com) o llame al 800-222-7820.

\*Las puertas, paneles, manijas, estructuras y superficies internas de acero inoxidable están cubiertas por una garantía limitada de 60 días sobre piezas y mano de obra, por defectos estéticos.

\*Los filtros de agua de repuesto y los cartuchos de purificación de aire no están cubiertos por la garantía del producto.



## Garantía limitada de los productos para uso al aire libre de Sub-Zero\*

### PARA USO RESIDENCIAL

#### GARANTÍA COMPLETA DE UN AÑO\*\*

Durante un año a partir de la fecha de la instalación original, la garantía de su producto Sub-Zero cubre todos los repuestos y mano de obra para reparar o cambiar, bajo el uso residencial normal, cualquier parte del producto que se compruebe estar defectuosa en material o mano de obra. Todos los servicios proporcionados por Sub-Zero bajo la garantía anterior deben ser realizados por servicios certificados de fábrica de Sub-Zero, a menos que Sub-Zero Inc. lo especifique de otra manera. El Servicio se hará durante el horario comercial normal.

#### GARANTÍA COMPLETA DE CINCO AÑOS SOBRE EL SISTEMA CERRADO

Durante cinco años a partir de la fecha de la instalación original, la garantía de Sub-Zero cubre todos los repuestos y mano de obra para reparar o cambiar, bajo el uso residencial normal, cualquiera de estos componentes que se compruebe que tiene defectos de material o mano de obra: compresor, condensador, evaporador, secador y toda la tubería de conexión. Todos los servicios proporcionados por Sub-Zero bajo la garantía anterior deben ser realizados por servicios certificados de fábrica de Sub-Zero, a menos que Sub-Zero Inc. lo especifique de otra manera. El Servicio se hará durante el horario comercial normal.

#### TÉRMINOS APLICABLES A CADA GARANTÍA

La garantía se aplica solamente a los productos instalados para uso residencial normal. La garantía se aplica solamente a los productos instalados en cualquiera de los cincuenta estados de Estados Unidos, el Distrito de Columbia o las diez provincias de Canadá. Esta garantía no cubre las partes o mano de obra para corregir cualquier defecto causado por negligencia, accidente o uso, mantenimiento, instalación, servicio o reparación inadecuados.

**LOS RECURSOS DESCRITOS ANTERIORMENTE PARA CADA GARANTÍA SON LOS ÚNICOS QUE SUB-ZERO, INC. PROPORCIONARÁ, YA SEA BAJO ESTA GARANTÍA O BAJO CUALQUIER GARANTÍA QUE RESULTE DE LA APLICACIÓN DE LA LEY. SUB-ZERO, INC. NO SE HACE RESPONSABLE POR LOS DAÑOS INDIRECTOS O INCIDENTALES DERIVADOS DEL INCUMPLIMIENTO DE ESTA GARANTÍA O CUALQUIER OTRA GARANTÍA, YA SEA EXPRESA, IMPLÍCITA O LEGAL.**

Algunos estados no permiten la exclusión o limitación de daños indirectos o incidentales, por lo que la limitación o exclusión anterior podría no aplicarse a su caso. Esta garantía le otorga derechos legales específicos y usted también puede tener otros derechos legales que varían entre estados.

Para recibir las partes o el servicio y el nombre del servicio certificado de fábrica de Sub-Zero más cercano a usted, póngase en contacto con Sub-Zero, Inc., P.O. Box 44848, Madison, WI 53744; eche un vistazo a la sección de soporte del producto en nuestro sitio web, [subzero.com](http://subzero.com), envíenos un correo electrónico a [customerservice@subzero.com](mailto:customerservice@subzero.com) o llame al 800-222-7820.

\*El producto debe estar aprobado para uso al aire libre, designado por modelo y número de serie.

\*\* Las puertas, paneles, manijas, estructuras y superficies internas de acero inoxidable están cubiertas por una garantía limitada de 60 días sobre piezas y mano de obra, por defectos estéticos.

\*Los filtros de agua de repuesto no están cubiertos por la garantía del producto.



## Table des matières

|           |   |
|-----------|---|
| <b>3</b>  | Réfrigération série Concepteur          |
| <b>4</b>  | Précautions de sécurité                 |
| <b>6</b>  | Caractéristiques de la série Concepteur |
| <b>8</b>  | Commandes tactiles                      |
| <b>10</b> | Rangement                               |
| <b>14</b> | Fonctionnement du produit               |
| <b>20</b> | Préservation des aliments               |
| <b>22</b> | Conseils d'entretien                    |
| <b>23</b> | Dépannage                               |
| <b>26</b> | Garantie Sub-Zero                       |

## Service à la clientèle

Le numéro de modèle et le numéro de série sont imprimés sur la fiche d'enregistrement du produit ci-jointe. Les deux numéros sont aussi indiqués sur la plaque signalétique du produit. Reportez-vous aux pages 6 et 7 pour connaître l'emplacement de la plaque signalétique. Pour les besoins de la garantie, vous devrez aussi avoir la date d'installation et le nom de votre dépositaire Sub-Zero autorisé. Inscrivez ces renseignements ci-dessous pour consultation ultérieure.

### RENSEIGNEMENTS SUR LE SERVICE

Numéro de modèle

Numéro de série

Date de l'installation

Nom du service certifié

Numéro du service certifié

Dépositaire autorisé

Numéro du dépositaire

Si votre produit a besoin d'être réparé, assurez-vous d'utiliser un fournisseur de service certifié par l'usine Sub-Zero recommandé par notre centre de service à la clientèle, ou sélectionnez-en un parmi la liste de fournisseurs disponibles à [subzero.com/locator](http://subzero.com/locator). Tous les fournisseurs de service certifiés par l'usine sont soigneusement sélectionnés et rigoureusement formés par nous.

## Remarque importante

Pour s'assurer que ce produit est installé et utilisé en toute sécurité et aussi efficacement que possible, prenez note des types de renseignement mis en évidence tout au long de ce guide :

**REMARQUE IMPORTANTE** met en évidence des renseignements qui sont particulièrement importants.

### ▲ MISE EN GARDE

**Indique une situation où une blessure mineure ou des dommages au produit peuvent se produire si les directives ne sont pas respectées.**

### ▲ AVERTISSEMENT

**Décrit un danger qui peut causer une blessure grave ou la mort si les précautions ne sont pas respectées.**

**REMARQUE IMPORTANTE** : Tout au long de ce guide, les dimensions entre parenthèses sont en millimètres à moins d'indication contraire.

## DIRECTIVES IMPORTANTES

### ▲ AVERTISSEMENT

Ne rangez pas des substances explosives, comme des bombes aérosol avec un gaz inflammable, dans cet appareil.

### ▲ AVERTISSEMENT

Gardez les ouvertures de ventilation, dans le boîtier de l'appareil ou dans la structure intégrée, libres de toute obstruction.

### ▲ AVERTISSEMENT

N'utilisez pas des dispositifs mécaniques ou d'autres méthodes pour accélérer le processus de dégivrage, autres que ceux qui sont recommandés par le fabricant.

### ▲ AVERTISSEMENT

N'exposez pas cet appareil à la pluie.

### ▲ AVERTISSEMENT

Cet appareil électroménager n'est conçu que pour une utilisation résidentielle.

### ▲ AVERTISSEMENT

- Cet appareil contient un réfrigérant inflammable et il doit être manipulé, installé, entretenu et mis hors de service par un personnel autorisé. Une fois mis hors de service, consultez les autorités locales pour obtenir des directives sur l'élimination.
- Pour minimiser le risque d'allumage en raison d'une installation, de pièces de rechange ou de procédures d'entretien inappropriées, seuls des techniciens en réfrigération ayant suivi une formation sur les réfrigérants inflammables qui connaissent les dangers associés à l'électricité haute tension et au réfrigérant sous pression peuvent travailler sur cet appareil.
- N'endommagez pas le circuit de réfrigération lors de l'installation, l'entretien ou la réparation de l'unité.
-  Ce symbole indique un risque d'incendie/de matériaux inflammables.

### ▲ MISE EN GARDE

Les machines à glaçons incorporées doivent être installées par le fabricant ou son agent de service.

### ▲ AVERTISSEMENT

N'utilisez pas des appareils électriques à l'intérieur des compartiments de rangement des aliments, à moins qu'ils ne soient d'un type recommandé par le fabricant.



## DIRECTIVES IMPORTANTES

### ▲ AVERTISSEMENT

Cet appareil n'a pas été conçu pour être utilisé par des personnes dont les capacités physiques, sensorielles ou intellectuelles sont réduites, ou par des personnes manquant d'expérience ou de connaissances, à moins d'être supervisées ou d'avoir reçu des directives concernant l'utilisation de l'appareil par une personne responsable de leur sécurité. Les enfants doivent être supervisés pour s'assurer qu'ils ne jouent pas avec l'appareil.

### ▲ AVERTISSEMENT

**DANGER.** Risque de piégeage pour les enfants. Avant d'éliminer votre ancien réfrigérateur ou congélateur :

- Retirez les portes.
- Laissez les tablettes et les séparateurs de tiroir en place afin que les enfants ne puissent pas y pénétrer facilement.

### ▲ AVERTISSEMENT

**PROPOSITION 65 POUR LES RÉSIDENTS DE LA CALIFORNIE**

Cause le cancer et des troubles reproductifs—  
[www.P65Warnings.ca.gov](http://www.P65Warnings.ca.gov)

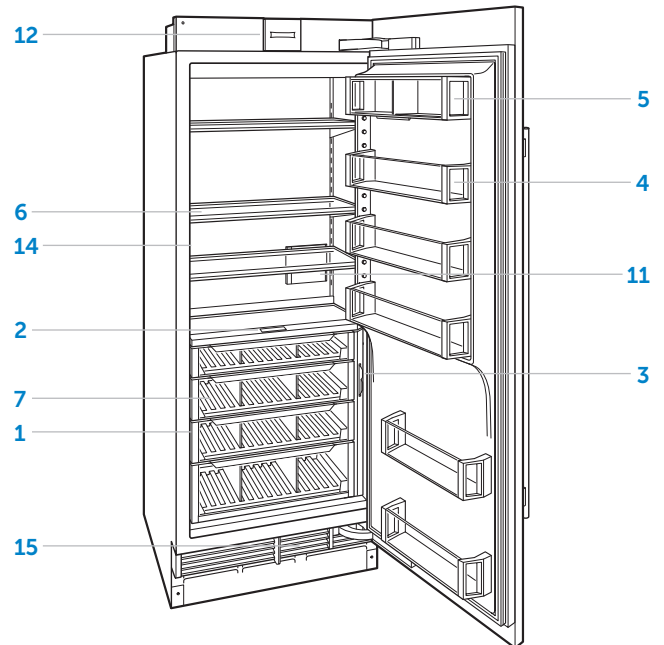
**Cet appareil est conçu pour être utilisé dans une résidence et des applications similaires, comme :**

- des zones de cuisine pour employés dans des magasins, des bureaux ou d'autres environnements de travail
- des fermes et par les clients dans des hôtels, des motels et d'autres environnements de type résidentiel
- des environnements de type chambre et petit déjeuner
- des traiteurs et d'autres applications similaires non axées sur la vente au détail

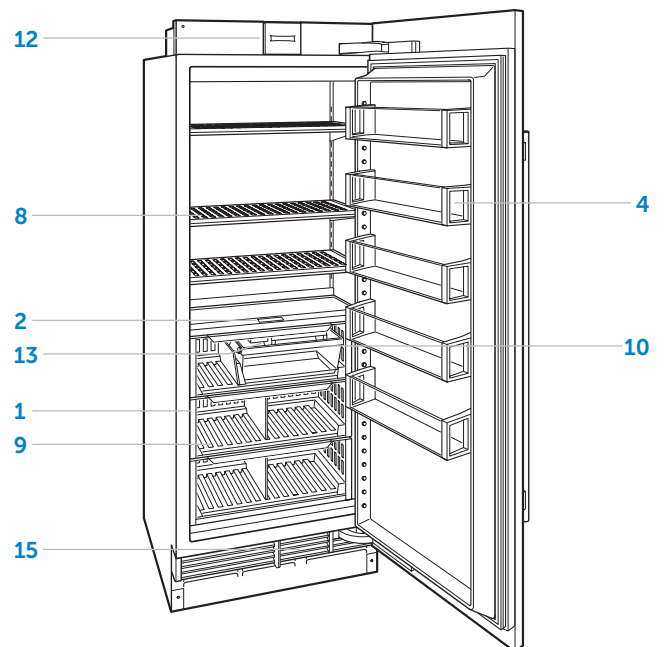
## Caractéristiques de la série Concepteur

### CARACTÉRISTIQUES

|    |  |
|----|--|
| 1  | Plaque signalétique du produit                                 |
| 2  | Panneau de commande tactile                                    |
| 3  | Fiches de fraîcheur  |
| 4  | Balconnets réglables   |
| 5  | Compartiment à produits laitiers basculable                    |
| 6  | Tablettes du réfrigérateur                                     |
| 7  | Tiroirs de rangement du réfrigérateur                          |
| 8  | Tablettes du congélateur                                       |
| 9  | Tiroirs de rangement du congélateur                            |
| 10 | Bac à glaçons amovible   |
| 11 | Système de purification d'air                                  |
| 12 | Système de filtration d'eau                                    |
| 13 | Machine à glaçons automatique (modèles avec machine à glaçons) |
| 14 | Distributeur d'eau interne (modèles avec distributeur)         |
| 15 | Condensateur (derrière la grille)                              |

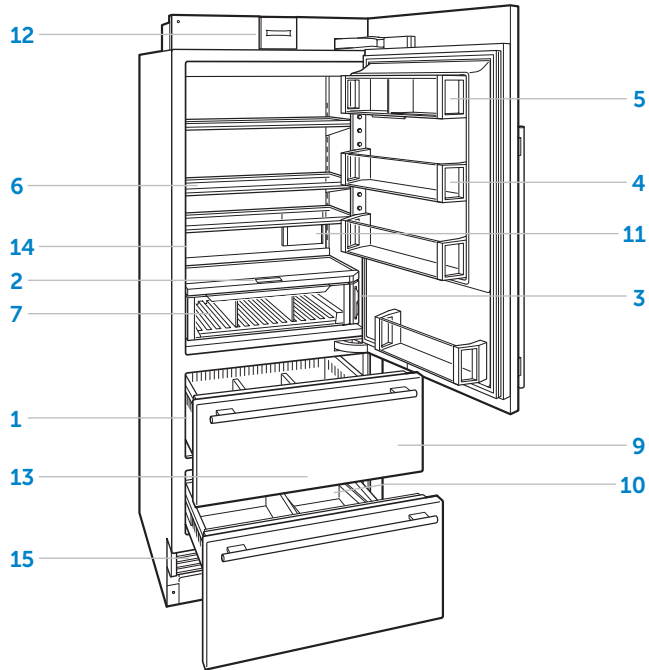


Tout-réfrigérateur en colonne

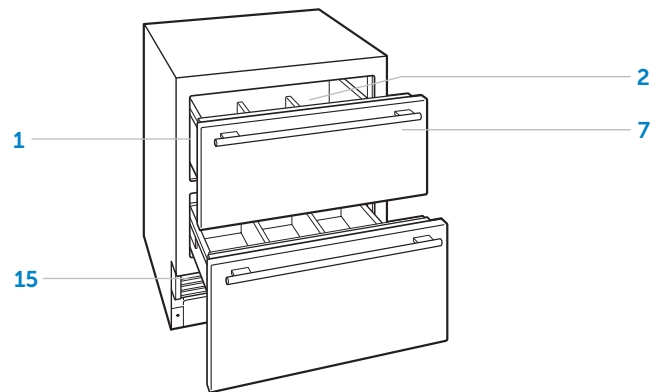


Tout-congélateur en colonne

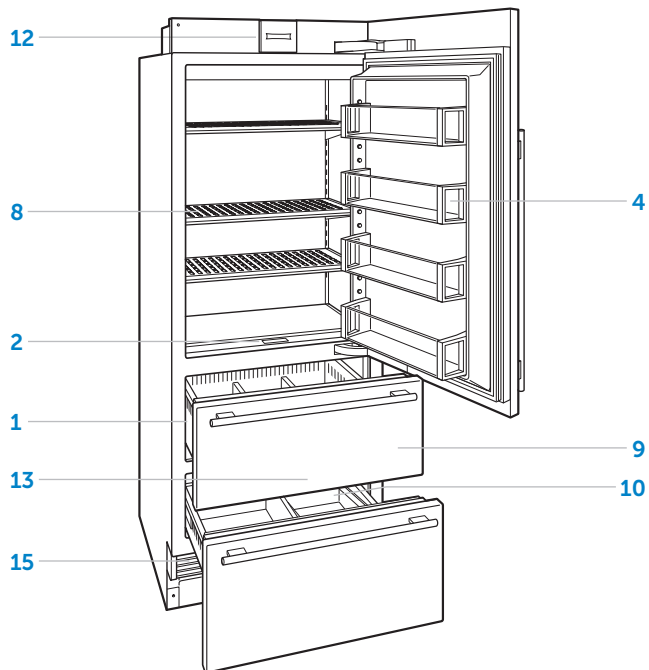
# Caractéristiques de la série Concepteur



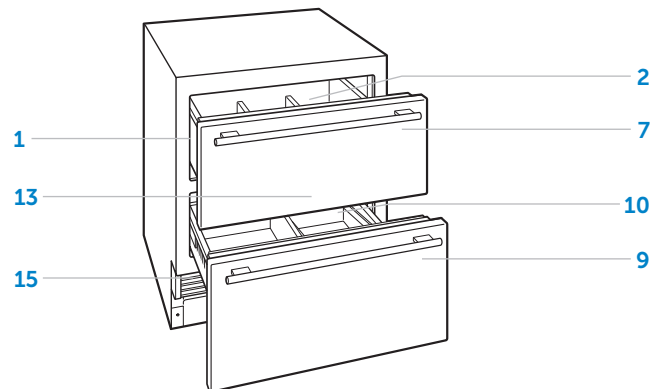
Combiné en hauteur



Tout-réfrigérateur à tiroirs



Tout-congélateur en hauteur



Combinaison de tiroirs

## Panneau de commande tactile

Pour le démarrage initial, enfoncez la touche ⓘ sur le panneau de commande pendant deux secondes.

Les températures recommandées sont préréglées à 0 °F (-18 °C) pour le congélateur et à 38 °F (3 °C) pour le réfrigérateur. Les températures peuvent être réglées dans des incréments d'un degré. Le modèle combiné comporte deux zones de température.

### Pour ajuster la température :

- 1 Touchez à la température que vous voulez modifier.
- 2 Touchez à + ou – jusqu'à ce que la température voulue s'affiche. Reportez-vous à l'illustration ci-dessous.

Pour régler d'autres paramètres, enfoncez la touche ⚙ sur le panneau de commande. Reportez-vous à l'illustration ci-dessous.



Écran d'accueil à deux zones



Écran d'accueil à une zone

## PARAMÈTRES

|  |  |
|--|--|
|  | Réglage de la température et de l'humidité des tiroirs du réfrigérateur    |
|  | Mise en marche ou arrêt de la machine à glaçons                            |
|  | Mise en marche ou arrêt du purificateur d'air                              |
|  | Réglage de l'éclairage doux ou de l'éclairage d'appoint (le cas échéant)   |
|  | Activation ou désactivation du mode de nuit                                |
|  | Mise en marche ou arrêt du distributeur                                    |
|  | Activation ou désactivation de l'alarme de la porte et réglage de sa durée |
|  | Réglage du volume et de la tonalité de l'alarme de la porte                |
|  | Activation ou désactivation du rappel du filtre d'eau                      |
|  | Activation ou désactivation de la connexion (le cas échéant)               |
|  | Mise en marche ou arrêt de l'unité   |
|  | Activation ou désactivation de la fonction Shabbath                        |
|  | Réglage de l'unité de température  |
|  | Sélection de la langue   |
|  | Renseignements sur le système  |
|  | Affichage des renseignements sur le dépannage et le service                |

## Établir la connexion de cet appareil

Reliez cet appareil pour le surveiller et le contrôler à distance. La connexion nécessite un routeur sans fil, une connexion Internet avec un nom de réseau et son mot de passe, ainsi qu'un dispositif mobile compatible. Il n'y a pas de limite au nombre d'appareils que vous pouvez relier à un compte. Vous pouvez relier des produits de plusieurs résidences au même compte. Il n'est pas obligatoire de relier les appareils.

### Établissez la connexion dès aujourd'hui pour :

- Recevoir des alertes, des mises à jour sur le statut et des avis sur l'entretien de routine.
- Rationaliser les tâches quotidiennes grâce aux télécommandes et aux commandes vocales.
- Accéder rapidement aux manuels d'utilisation et aux conseils de nettoyage et d'entretien.

### Pour établir la connexion :

- 1 Téléchargez l'appli gratuite Sub-Zero Group Owner depuis l'App Store d'Apple ou Google Play.
- 2 Après avoir activé la fonction Bluetooth<sup>MD</sup> sur votre dispositif, placez-vous à une distance d'environ un mètre de l'appareil, ouvrez l'appli et suivez les directives qui apparaissent à l'écran.
- 3 Ouvrez une session ou créez un compte.
- 4 Tapez sur Add An Appliance (ajouter un appareil) ou tapez sur + dans le coin supérieur droit de l'écran pour ajouter des appareils électroménagers. Pour identifier l'appareil à relier, ouvrez sa porte.
- 5 Tapez sur + à côté de l'appareil pour le sélectionner. Si des appareils identiques apparaissent, suivez l'étape supplémentaire qui s'affiche pour identifier l'appareil à relier.
- 6 Tapez sur Pair Via Bluetooth<sup>MD</sup> (relier par Bluetooth<sup>MD</sup>). Attendez que la configuration soit terminée, puis tapez sur Set Up Your Appliance For Pairing (configurer votre appareil pour la connexion).
- 7 Tapez sur Choose a Network (choisir un réseau) sur l'écran Connect Your Appliance to Wi-Fi (relier votre appareil au Wi-Fi).
- 8 Sélectionnez le réseau Wi-Fi résidentiel et saisissez le mot de passe du réseau.
- 9 Tapez sur Turn on Notifications (activer les notifications) pour permettre l'envoi de notifications au sujet de l'appareil (par exemple, si la porte a été laissée entrouverte).
- 10 Tapez sur Done (terminé) sur l'écran Success (réussite) pour terminer la configuration.

## Dual refrigeration<sup>MD</sup> (réfrigération double)

Cet appareil Sub-Zero est muni d'un système à réfrigération double Dual Refrigeration<sup>MD</sup> unique pour garder les aliments frais plus longtemps.

Avec le système Dual Refrigeration<sup>MD</sup> de Sub-Zero, les systèmes de réfrigération et de congélation individuels ont été conçus pour maintenir des températures précises, constantes et des niveaux d'humidité appropriés pour une durée de vie plus longue des aliments. La réfrigération double Dual Refrigeration<sup>MD</sup> élimine le transfert de l'odeur des aliments frais aux aliments congelés et aux glaçons et ne gèle pas l'humidité dans l'air dans la section des aliments frais.

## Split Climate<sup>TM</sup>

Ce système de refroidissement intelligent révolutionne les capacités de conservation déjà supérieures de Sub-Zero, gardant les aliments encore plus frais plus longtemps.

## ClearSight<sup>TM</sup>

Ce système d'éclairage LED intelligent éclaire entièrement l'intérieur et réduit les ombres.

## Rangement dans le réfrigérateur

### BALCONNETS RÉGLABLES

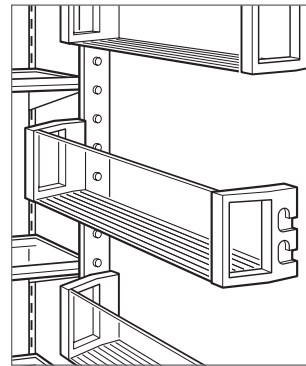
**Pour déplacer un balconnet ou le compartiment à produits laitiers :**

- 1 Pour retirer, soulevez le balconnet à partir du bas et glissez-le vers l'extérieur. Reportez-vous à l'illustration ci-dessous.
- 2 Pour réinstaller, placez le balconnet à la position voulue et glissez-le vers le bas dans les guides.

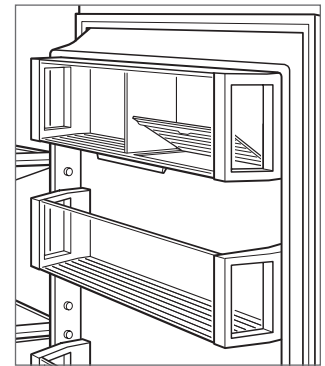
**REMARQUE IMPORTANTE :** Si l'ouverture de la porte est limitée à 90°, les balconnets peuvent devoir être retirés avant d'enlever un tiroir de rangement ou une tablette en verre.

### COMPARTIMENT À PRODUITS LAITIERS BASCULABLE

Le fond du compartiment à produits laitiers se bascule vers le haut afin de pouvoir ranger des articles plus grands en dessous. Pour les modèles sans séparateurs verticaux dans le compartiment, le fond au complet se bascule vers le haut. Pour les modèles avec un séparateur vertical, une section se bascule vers le haut. Reportez-vous à l'illustration ci-dessous.



Retrait d'un balconnet



Compartiment à produits laitiers basculable

## Rangement dans le réfrigérateur

### TABLETTES EN VERRE

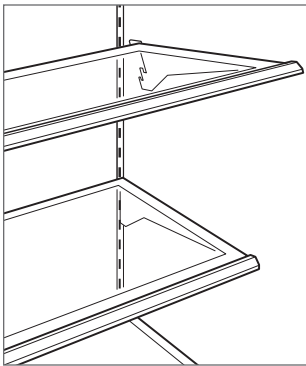
**Pour déplacer une tablette en verre :**

- 1 Pour retirer, inclinez-la vers le haut, puis soulevez-la vers le haut et l'extérieur. Reportez-vous à l'illustration ci-dessous.
- 2 Pour installer, insérez la tablette dans les pistes le long de la paroi arrière, puis abaissez le devant jusqu'à ce qu'elle s'enclenche en place.

**REMARQUE IMPORTANTE :** Faites attention lors de la manipulation des tablettes en verre pour éviter de les briser ou d'égratigner l'intérieur.

#### ▲ MISE EN GARDE

**Les tablettes en verre doivent être réchauffées jusqu'à la température de la pièce avant de les immerger dans de l'eau chaude.**



Retrait d'une tablette en verre

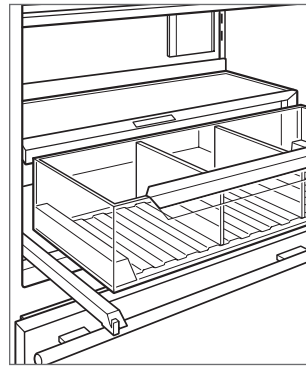
### TIROIRS D'ENTREPOSAGE DU RÉFRIGÉRATEUR

**Pour retirer et installer un tiroir de réfrigérateur :**

- 1 Pour retirer, ouvrez le tiroir jusqu'à ce qu'il s'arrête.
- 2 Soulevez l'avant du tiroir légèrement et tirez directement vers l'extérieur. Reportez-vous à l'illustration ci-dessous.
- 3 Pour l'installer, sortez le support du tiroir et alignez le fond du tiroir avec le support.
- 4 Glissez le tiroir dans sa position originale.

**Pour déplacer un séparateur de tiroir de réfrigérateur :**

- 1 Pour retirer le séparateur, tirez-le directement vers le haut.
- 2 Pour installer le séparateur, alignez les onglets du séparateur avec les encoches dans le tiroir et poussez vers le bas.



Retrait d'un tiroir de réfrigérateur

## Tiroirs de rangement

### COUVERCLE DU BAC À LÉGUMES

Le couvercle du bac à légumes dans le tiroir de rangement supérieur peut être glissé pour le fermer, laissé ouvert ou retiré.

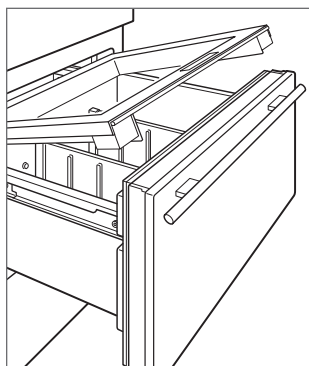
#### Pour retirer le couvercle du bac à légumes :

- 1 Tirez le tiroir de rangement supérieur complètement vers l'extérieur.
- 2 Relevez le rebord avant du couvercle du bac à légumes et tirez-le vers l'avant et l'extérieur. Reportez-vous à l'illustration ci-dessous.

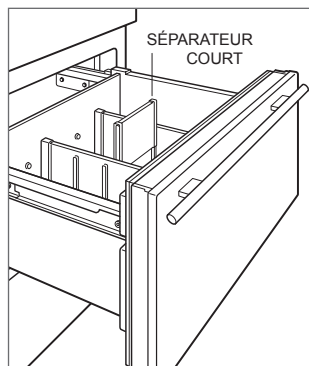
### SÉPARATEURS DE TIROIR

#### Pour repositionner un séparateur de tiroir:

- 1 Pour retirer un séparateur court, fléchissez légèrement le séparateur long, puis tirez vers le haut. Reportez-vous à l'illustration ci-dessous.
- 2 Pour les modèles à tiroirs de 36 po de largeur seulement, un long séparateur est réglable. Pour retirer un long séparateur, tous les séparateurs courts doivent être retirés. Tirez le long séparateur vers le haut jusqu'à ce qu'il s'arrête, tournez dans le sens antihoraire, puis tirez vers le haut.
- 3 Pour installer un long séparateur, alignez les rainures avec les languettes du tiroir, tournez-le dans le sens des aiguilles d'une montre, puis faites-le glisser vers le bas.
- 4 Pour installer un petit séparateur, positionnez-le comme vous le souhaitez, puis glisse vers le bas.



Couvercle du bac à légumes



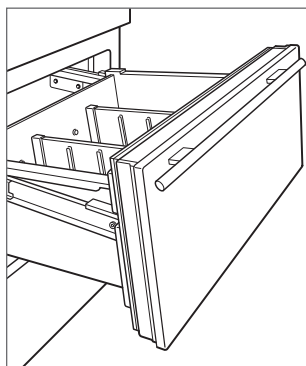
Séparateurs de tiroir

### RETRAIT D'UN TIROIR

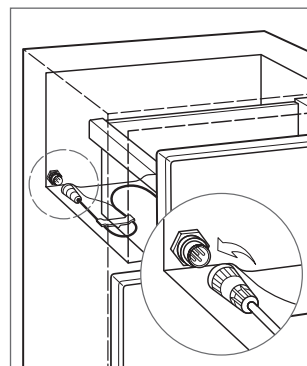
#### Pour retirer/installer un tiroir de rangement :

- 1 Pour retirer, ouvrez le tiroir jusqu'à ce qu'il s'arrête. Relevez l'avant du tiroir légèrement et tirez directement vers l'extérieur. Reportez-vous à l'illustration ci-dessous.
- 2 Pour installer, soulevez l'avant du tiroir et placez-le sur les glissières. Alignez l'arrière du tiroir avec les crochets de la glissière, puis alignez les chevilles blanches sur le devant de la glissière avec des trous sur le devant du tiroir.

**REMARQUE IMPORTANTE :** Pour les modèles à tiroirs, le tiroir supérieur est muni d'un câble de contrôle qui doit être débranché avant de retirer ce tiroir. Reportez-vous à l'illustration ci-dessous.



Retrait d'un tiroir



Câble de contrôle (modèles à tiroirs)



## Rangement dans le congélateur

### TIROIRS DE RANGEMENT DU CONGÉLATEUR

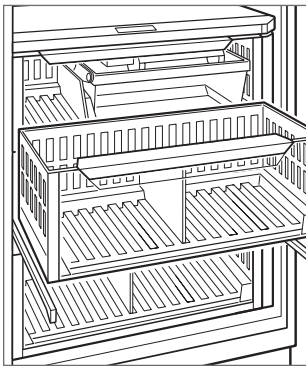
#### Pour retirer un tiroir de congélateur :

- 1 Ouvrez le tiroir jusqu'à ce qu'il s'arrête.
- 2 Repérez les deux onglets en plastique situés à l'avant du tiroir derrière les coins inférieurs.
- 3 Tirez les onglets vers l'avant, puis soulevez vers le haut et l'extérieur. Reportez-vous aux illustrations ci-dessous.

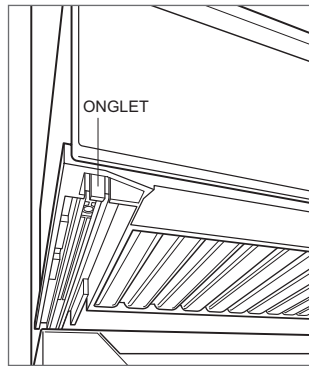
Si l'ouverture de la porte est limitée à 90°, le tiroir supérieur doit être retiré avant de retirer le panier du milieu ou du bas.

#### Pour installer un tiroir de congélateur :

- 1 Poussez les glissières de tiroir vers l'intérieur.
- 2 Alignez le tiroir avec les glissières, puis poussez vers l'arrière jusqu'à ce qu'il s'arrête.
- 3 Appuyez sur l'avant du tiroir pour enclencher les guides.



Tiroir d'un congélateur en colonne



Onglet d'un tiroir de congélateur

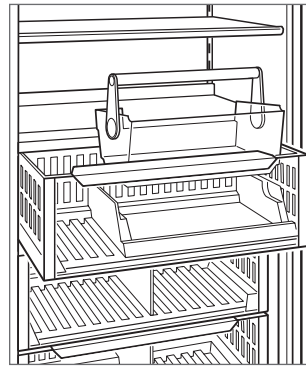
### BAC À GLAÇONS

#### Pour retirer le bac à glaçons (modèle en colonne) :

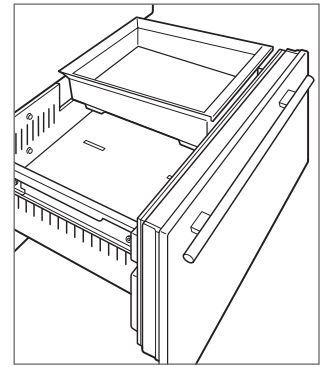
- 1 Ouvrez le tiroir du congélateur jusqu'à ce qu'il s'arrête.
- 2 Soulevez le bac à glaçons vers l'extérieur. Reportez-vous à l'illustration ci-dessous.

#### Pour retirer le bac à glaçons (modèles en hauteur et à tiroirs) :

- 1 Ouvrez le tiroir du congélateur jusqu'à ce qu'il s'arrête.
- 2 Soulevez le bac à glaçons vers l'extérieur. Reportez-vous à l'illustration ci-dessous.



Bac à glaçons pour modèles en colonne



Bac à glaçons pour modèles en hauteur et à tiroirs

## Température



### CONTRÔLE DE LA TEMPÉRATURE

Pour maximiser la préservation des aliments, la température des tiroirs du réfrigérateur peut être réglée automatiquement ou manuellement. Tous les tiroirs sont réglés à la même température et ne peuvent pas être réglés individuellement.

**Mode automatique**—règle automatiquement la température des tiroirs du réfrigérateur de 2° sous la température de réglage du réfrigérateur, mais elle ne peut pas être inférieure à 34 °F (1 °C).

**Mode manuel**—règle manuellement la température des tiroirs du réfrigérateur de 2° au-dessus ou sous la température de réglage du réfrigérateur, mais ne peut pas être inférieure à 34 °F (1 °C) ou supérieure à 42 °F (6 °C).

#### Pour ajuster la température :




- 1 Touchez à .
- 2 Touchez à .
- 3 Touchez à « A » ou « M » pour basculer entre les modes.
- 4 Touchez à + ou – pour régler la température manuellement.

## Humidité

### CONTRÔLE DE L'HUMIDITÉ


Pour optimiser la conservation des aliments, le niveau d'humidité du réfrigérateur est réglable entre humidité normale et humidité améliorée (augmentée). Certains légumes (légumes-feuilles, fines herbes, chou-fleur, choux de Bruxelles, brocoli, carottes, poivrons et asperges) bénéficient d'une humidité améliorée/ augmentée, cependant, les protéines et les fruits bénéficient généralement d'une humidité normale. Si de la condensation/humidité apparaît à l'intérieur du réfrigérateur, vérifiez que le réglage est réglé sur Normal.

#### Pour régler l'humidité :

- 1 Touchez à .
- 2 Touchez à .
- 3 Touchez à  pour basculer entre les réglages.

## Système de purification d'air

De nombreux aliments frais émettent du gaz éthylène, un composé qui se produit naturellement et qui accélère le mûrissement et la détérioration des aliments. Si votre unité est munie d'un système de purification d'air, la cartouche est installée en usine et située sur la paroi arrière du réfrigérateur.

Pour mettre la purification de l'air en marche, touchez à  sur l'écran des options.

### ⚠ MISE EN GARDE

**Le système de purification d'air se conforme aux exigences fédérales applicables concernant l'exposition accidentelle au rayonnement ultraviolet. La lampe contient du mercure. Manipulez conformément aux lois d'élimination. Visitez [earth911.com](http://earth911.com) ou composez le 800-222-7820.**

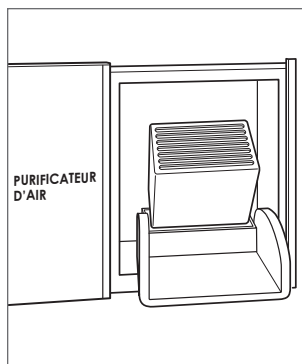
## CARTOUCHE DE PURIFICATION D'AIR

La cartouche de purification d'air dure environ un an. Le message « Snooze/Refresh » s'affiche sur le panneau de commande lorsque la cartouche doit être remplacée. Touchez à « Snooze » pour faire réapparaître le rappel dans 24 heures ou jusqu'à ce que la cartouche puisse être remplacée.

Vous pouvez commander des cartouches de purification d'air Sub-Zero en ligne à [subzero.com/store](http://subzero.com/store). Pour toute question, communiquez avec le service à la clientèle de Sub-Zero à 800-222-7820.

### Pour remplacer la cartouche de purification d'air :

- 1 Pour accéder à la cartouche de purification d'air, glissez la porte vers la gauche.
- 2 Agrippez le couvercle noir sur le dessus et faites pivoter vers le bas. La cartouche sort et peut alors être retirée. Reportez-vous à l'illustration ci-dessous.
- 3 Retirez la nouvelle cartouche de l'emballage et insérez-la en pointant le connecteur vers le bas.
- 4 Fermez le couvercle noir, puis glissez la porte vers la droite.
- 5 Suivez les directives se trouvant sur le panneau de commande. Le cycle de vie de la cartouche se réinitialise pour une durée d'environ un an.



Cartouche de purification d'air

## Système de filtration d'eau

Le système de filtration d'eau fournit de l'eau filtrée à la machine à glaçons et au distributeur d'eau (modèles avec distributeur) pour produire de l'eau et de la glace qui ont bon goût.

**REMARQUE IMPORTANTE :** Lorsque vous utilisez le système de filtration d'eau pour la première fois, il est nécessaire d'éliminer tout air du système et de laisser le filtre faciliter le nettoyage des conduites d'eau. Pour les modèles sans distributeur, jetez les deux premiers contenants pleins de glaçons. Pour les modèles à distributeur, faites couler plusieurs verres d'eau pendant une période de deux minutes.

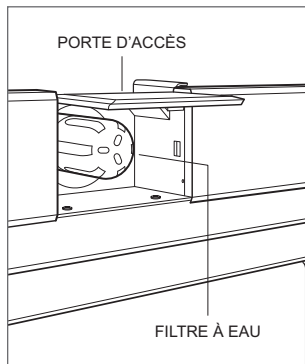
Si le système de filtration d'eau n'est pas utilisé, il peut être mis en mode de dérivation du filtre à eau en retirant le filtre.

Le message « Snooze/Refresh » s'affiche sur le panneau de commande lorsque le filtre doit être remplacé. Touchez à « Snooze » pour faire réapparaître le rappel dans 24 heures ou jusqu'à ce que le filtre puisse être remplacé.

Des filtres à eau Sub-Zero de rechange peuvent être commandés en ligne à [subzero.com/store](http://subzero.com/store). Pour toute question, communiquez avec le service à la clientèle de Sub-Zero à 800-222-7820.

### Pour remplacer le filtre à eau :

- 1 Pour accéder au filtre à eau, tirez sur le rebord inférieur de la porte d'accès et faites-la pivoter vers le haut. Reportez-vous à l'illustration ci-dessous.
- 2 Pour retirer l'ancien filtre, faites-le pivoter dans le sens antihoraire d'un quart de tour et tirez-le vers l'extérieur. Il est normal qu'une petite quantité d'eau s'écoule lorsque le filtre est retiré. Elle doit être essuyée avec une serviette en papier ou un chiffon.
- 3 Retirez le nouveau filtre de l'emballage et retirez le capuchon en plastique.
- 4 Insérez le nouveau filtre dans le collecteur et tournez dans le sens horaire.
- 5 Une fois le nouveau filtre installé, suivez les directives affichées sur le panneau de commande. Le cycle de vie du filtre se réinitialisera pour une durée d'environ un an.



Filtre à eau

## Données sur le système de filtration d'eau Sub-Zero

**AVIS IMPORTANT :** Lisez cette fiche de données sur la performance attentivement et comparez les capacités de cette unité avec vos besoins réels en traitement d'eau. Avant d'acheter une unité de traitement d'eau, il est recommandé de faire tester votre alimentation d'eau pour déterminer vos besoins réels en traitement d'eau.



Système testé et certifié par NSF International contre les normes NSF/ANSI 42 et 53 pour la réduction des substances énumérées ci-dessous.

La concentration des substances indiquées dans l'eau entrant dans le système a été réduite à une concentration inférieure ou égale à la limite permise pour l'eau quittant le système, comme il est précisé dans les normes 42/53 NSF/ANSI 42/53.

| Réduction des contaminants*                        | Concentration influente moyenne | Concentration de provocation précisée par la NSF        | % moyen de réduction | Concentration en eau du produit |             | Exigences de réduction NSF | Rapport de test NSF |
|--|---------------------------------|---|----------------------|---------------------------------|-------------|----------------------------|---------------------|
|  |                                 |   |                      | Moyenne                         | Max. permis |                            |                     |
| Chlore, goût et odeur                              | 2,0 mg/l                        | 2,0 mg/l ± 10 %   | 97,5 %               | 0,05 mg/l                       | S/O         | ≥50 %                      | J-00056501          |
| Particules normales de catégorie I, ≥0,5 à <1,0 µm | 13 666 667 pts/ml               | Au moins 10 000 particules/ml                           | 98,9 %               | 143 333 pts/ml                  | S/O         | ≥85 %                      | J-00056506          |
| Amiante  | 96 MF/l                         | 10 <sup>7</sup> à 10 <sup>8</sup> fibres/l <sup>1</sup> | >99 %                | <1 MF/l                         | S/O         | ≥99 %                      | J-00056511          |
| Atrazine   | 0,010 mg/l                      | 0,009 mg/l ± 10 %                                       | 89,3 %               | 0,001 mg/l                      | 0,003 mg/l  | S/O                        | J-00056512          |
| Benzène  | 0,014 mg/l                      | 0,015 mg/l ± 10 %                                       | 96,3 %               | 0,005 mg/L                      | 0,005 mg/l  | S/O                        | J-00056535          |
| Carbofurane  | 0,08 mg/l                       | 0,08 mg/l ± 10 %  | 86,6 %               | 0,01 mg/L                       | 0,04 mg/l   | S/O                        | J-00056537          |
| Spore**  | 122 500 spores/l                | Min. 50 000 spores/l                                    | 99,99 %              | 1 spore/l                       | S/O         | ≥99,99 %                   | J-00056513          |
| Plomb à pH de 6,5                                  | 0,153 mg/l                      | 0,15 mg/l ± 10 %  | 99,3 %               | 0,001 mg/L                      | 0,010 mg/l  | S/O                        | J-00056515          |
| Plomb à pH de 8,5                                  | 0,150 mg/l                      | 0,15 mg/l ± 10 %  | 99,3 %               | 0,001 mg/l                      | 0,010 mg/l  | S/O                        | J-00058784          |
| Lindane  | 0,002 mg/l                      | 0,002 mg/l ± 10 %                                       | 97,8 %               | 0,00004 mg/l                    | 0,0002 mg/l | S/O                        | J-00058969          |
| Mercure à pH de 6,5                                | 0,006 mg/l                      | 0,006 mg/l ± 10 %                                       | 95 %                 | 0,0003 mg/l                     | 0,002 mg/l  | S/O                        | J-00058785          |
| Mercure à pH de 8,5                                | 0,006 mg/l                      | 0,006 mg/l ± 10 %                                       | 88 %                 | 0,0007 mg/l                     | 0,002 mg/l  | S/O                        | J-00058783          |
| Toxaphène  | 0,015 mg/l                      | 0,015 mg/l ± 10 %                                       | 93,2 %               | 0,001 mg/l                      | 0,003 mg/l  | S/O                        | J-00056531          |
| Turbidité  | 10,8 uTN                        | 11 ± 1 uTN  | 98,7 %               | 0,153 uTN                       | 0,5 uTN     | S/O                        | J-00058972          |
| P-dichlorobenzène                                  | 0,215 mg/l                      | 0,225 mg/l ± 10 %                                       | 99,7 %               | 0,0005 mg/l                     | 0,075 mg/l  | S/O                        | J-00056538          |

\*Réduction des contaminants déterminée par les essais de la NSF. \*\*Basé sur l'usage d'ookystes *Cryptosporidium Parvum*. <sup>1</sup>Fibres supérieures à 10 µm de longueur.

### DIRECTIVES D'APPLICATION / PARAMÈTRES D'ALIMENTATION EN EAU

**Capacité :** certifié pour jusqu'à 2 839 l (750 gallons); jusqu'à douze mois

**Débit de service :** 0,78 gal/min (2,95 l/min)

**Alimentation en eau :** eau potable

**Pression d'eau :** 35–120 lb/po<sup>2</sup> (2,8–8,2 bars)




**Température de l'eau :** 40–100 °F (5–40 °C)

### REMARQUES SPÉCIALES

- Des cartouches filtrantes de rechange Sub-Zero peuvent être commandées en ligne à [subzero.com/store](http://subzero.com/store), ou communiquez avec le service à la clientèle au 800-222-7820.
- Par conséquent, il est recommandé de remplacer la cartouche filtrante lorsque l'indicateur s'affiche, s'il y a une réduction perceptible de pression, les glaçons deviennent creux ou tous les 12 mois, la première de ces éventualités prévalant. Des renseignements sur le prix du filtre de rechange se trouvent à [subzero.com/store](http://subzero.com/store).
- Ce système doit être installé, utilisé et maintenu et les filtres remplacés au besoin afin que le produit fonctionne comme il est annoncé.
- Veillez noter que bien que les essais aient été effectués dans des conditions de laboratoire normales, la performance réelle peut varier. Les contaminants ou les autres substances éliminés ou réduits par ce système de traitement d'eau ne se trouvent pas nécessairement dans votre eau.

## Machine à glaçons

### Pour faire fonctionner la machine à glaçons :

- 1 Pour mettre la machine à glaçons en marche, touchez à  sur l'écran des options. Un glaçon unique mis en évidence signifie que la machine à glaçons est en marche.  signifie que la fonction maximum de glaçons est en marche.
- 2 Pour désactiver la machine à glaçons, enfoncez  jusqu'à ce qu'aucun glaçon ne soit mis en évidence.


Après le démarrage initial, jetez les premiers quelques lots de glaçons. Les glaçons peuvent contenir des impuretés provenant des nouvelles connexions de plomberie.



La fonction production maximale de glaçons augmente la production de glaçons de jusqu'à 30 % pendant une période de 24 heures. Durant cette période, certains composants peuvent fonctionner à une vitesse plus rapide entraînant une tonalité audible unique. Cela est normal et cessera après une période de 24 heures ou lorsque le contenant à glace est plein.

Les glaçons peuvent se fusionner s'ils ne sont pas utilisés régulièrement. Pour éviter ceci, jetez les glaçons et laissez la machine à glaçons se ravitailler.



Désactivez la machine à glaçons si le bac à glaçons est retiré pendant une longue période. L'unité est munie d'un délai de trois minutes lorsque le bac à glaçons est retiré pour s'assurer que des cubes ne soient pas expulsés avant que la machine à glaçons ne soit désactivée ou le bac à glaçons ne soit remis en place.

## Mode de nuit

Le mode de nuit réduit automatiquement la luminosité de l'éclairage intérieur lorsqu'un faible éclairage ambiant est détecté.  s'affiche dans le coin supérieur gauche de l'affichage du panneau de commande lorsque le mode de nuit est activé.

 s'affiche lorsqu'un faible éclairage ambiant est détecté. La luminosité de l'éclairage intérieur demeure réduite pendant trois minutes, même si l'éclairage ambiant change. Enfoncez  pour augmenter la luminosité.

### Pour activer ou désactiver le mode de nuit :

- 1 Touchez à .
- 2 Touchez à .

## Shabbath

Cet appareil est certifié par Star-K pour répondre à des règlements religieux rigoureux relativement à des directives précises se trouvant sur [www.star-k.org](http://www.star-k.org).

Le mode Shabbath réduit automatiquement la luminosité de l'éclairage intérieur. Les lumières demeurent allumées lorsque la porte est fermée. Les lumières ne peuvent pas être éteintes en mode Shabbath.

Le mode Shabbath se désactive automatiquement après une période de 74 heures. Toutes les préférences d'éclairage reviennent au réglage précédent lorsque le mode Shabbath est désactivé.

### Pour activer le mode Shabbath :

- 1 Touchez à .
- 2 Enfoncez  pendant trois secondes.

### Pour désactiver le mode Shabbath :

- 1 Enfoncez  pendant jusqu'à dix secondes.

## Distributeur d'eau

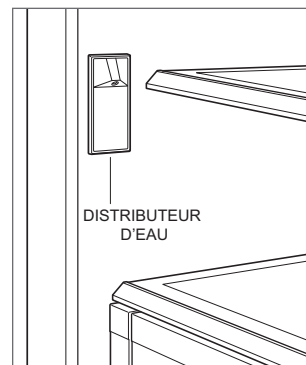
Le réservoir d'eau interne de 32 oz (1 l) doit être rempli avant que l'eau puisse s'écouler du distributeur. Enfoncez la palette du distributeur d'eau pendant une période pouvant atteindre 60 secondes jusqu'à ce que l'eau commence à s'écouler.

Il faudra compter plusieurs heures pour refroidir l'eau à la température du réfrigérateur pendant le remplissage original ou après la distribution d'une grande quantité d'eau.

Un dispositif de sécurité est incorporé dans le distributeur pour limiter le débit d'eau continu à 60 secondes.

### Pour faire couler de l'eau :

- 1 Appuyez un verre contre le distributeur pour activer le débit d'eau. Reportez-vous à l'illustration ci-dessous.
- 2 Le débit d'eau s'arrête lorsque le verre est retiré.



Distributeur d'eau

## Préservation des aliments

**Conseils de préservation des aliments**—Pour réduire le risque de détérioration, minimisez la manipulation des aliments. Rangez les fruits et les légumes séparément. Rangez les viandes dans leur emballage original; une fois l'emballage ouvert, emballez les restes hermétiquement.

**Gaz éthylène**—De nombreux aliments frais émettent du gaz éthylène, un composé qui se produit naturellement et qui accélère le mûrissement et la détérioration des aliments. Les réfrigérateurs Sub-Zero sont offerts avec un système de purification de l'air (fondé sur une technologie développée par la NASA) qui élimine le gaz éthylène et les odeurs de l'air toutes les 20 minutes. Pour réduire la détérioration, ne rangez pas les fruits et les légumes qui produisent du gaz éthylène avec ceux qui sont sensibles à l'éthylène.

**e<sup>+</sup>** Indique un aliment qui produit du gaz éthylène.

**e<sup>-</sup>** Indique un aliment qui est sensible au gaz éthylène.

**Humidité**—L'humidité optimale varie selon les aliments. Pour garder les aliments frais plus longtemps, rangez-les dans les zones désignées dans les tableaux suivants.

| ALIMENT                             | CODE E         | RÉFRIGÉRATEUR  | CONGÉLATEUR  |
|-------------------------------------|----------------|----------------|--|
| <b>LÉGUMES FRAIS</b>                |                |                |  |
| Artichauts                          |                | 1 à 2 semaines | La congélation des légumes frais n'est pas recommandée |
| Asperges                            |                | 2 à 3 semaines |  |
| Germes de soja                      |                | 7 à 9 jours    |  |
| Haricots (verts ou de Lima)         | e <sup>-</sup> | 7 à 10 jours   |  |
| Betteraves sans queues              |                | 3 à 4 mois     |  |
| Pak-choï                            | e <sup>-</sup> | 3 semaines     |  |
| Brocoli                             | e <sup>-</sup> | 1 à 2 semaines |  |
| Chou                                | e <sup>-</sup> | 3 à 6 semaines |  |
| Carottes                            | e <sup>-</sup> | 1 à 5 mois     |  |
| Chou-fleur                          | e <sup>-</sup> | 3 à 4 semaines |  |
| Céleri                              |                | 1 à 2 mois     |  |
| Maïs                                |                | 5 à 8 jours    |  |
| Concombres                          | e <sup>-</sup> | 10 à 14 jours  |  |
| Aubergine*                          | e <sup>-</sup> | 1 à 2 semaines |  |
| Herbes fraîches                     | e <sup>-</sup> | 1 à 3 semaines |  |
| Ail*                                |                | 6 à 7 mois     |  |
| Gingembre*                          |                | 6 mois         |  |
| Pois patate                         |                | 1 à 2 mois     |  |
| Chou vert                           | e <sup>-</sup> | 1 à 2 mois     |  |
| Poireaux                            |                | 2 mois         |  |
| Laitue                              | e <sup>-</sup> | 2 à 3 semaines |  |
| Champignons                         |                | 1 à 2 semaines |  |
| Oignons                             |                | 1 à 6 mois     |  |
| Persil                              | e <sup>-</sup> | 1 à 2 mois     |  |
| Pois (sugar snap, mange-tout)       | e <sup>-</sup> | 1 à 2 semaines |  |
| Poivrons (d'Amérique ou de Cayenne) | e <sup>-</sup> | 2 à 3 semaines |  |
| Pommes de terre*                    |                | 5 à 10 mois    |  |
| Radis                               |                | 1 à 2 mois     |  |
| Échalotes                           |                | 6 mois         |  |
| Épinard                             | e <sup>-</sup> | 10 à 14 jours  |  |
| Courge (pelure souple)              | e <sup>-</sup> | 1 à 2 semaines |  |
| Tomates d'arbre                     |                | 7 à 10 jours   |  |
| Châtaignes d'eau                    |                | 2 à 4 mois     |  |

\*Ne pas réfrigérer.



## Préservation des aliments

| ALIMENT                               | CODE E         | RÉFRIGÉRATEUR  | CONGÉLATEUR   |
|---------------------------------------|----------------|----------------|---|
| <b>FRUITS FRAIS</b>                   |                |                |   |
| Pommes                                | e <sup>+</sup> | 1 à 2 mois     | La congélation des fruits frais n'est pas recommandée           |
| Abricots                              | e <sup>+</sup> | 1 à 2 semaines |   |
| Avocats <sup>†</sup>                  | e <sup>+</sup> | 2 à 4 semaines |   |
| Bananes*                              | e <sup>-</sup> | 1 à 4 semaines |   |
| Bleuets                               |                | 10 à 18 jours  |   |
| Cantaloup                             | e <sup>+</sup> | 2 à 3 semaines |   |
| Cerises                               |                | 2 à 3 semaines |   |
| Figues                                | e <sup>+</sup> | 7 à 10 jours   |   |
| Pamplemousse                          |                | 6 à 8 semaines |   |
| Raisins                               |                | 2 à 3 semaines |   |
| Melon miel                            | e <sup>-</sup> | 3 à 4 semaines |   |
| Kiwi                                  | e <sup>-</sup> | 4 à 6 semaines |   |
| Citrons                               |                | 1 à 6 mois     |   |
| Limes                                 |                | 6 à 8 semaines |   |
| Mangues <sup>†</sup>                  | e <sup>+</sup> | 2 à 3 semaines |   |
| Nectarines                            | e <sup>+</sup> | 2 à 4 semaines |   |
| Oranges                               |                | 3 à 8 semaines |   |
| Pêches                                |                | 2 à 4 semaines |   |
| Poires <sup>†</sup>                   | e <sup>+</sup> | 2 à 3 semaines |   |
| Ananas                                |                | 2 à 4 semaines |   |
| Prunes                                | e <sup>+</sup> | 2 à 5 semaines |   |
| Framboises                            |                | 3 à 6 jours    |   |
| Fraises                               |                | 7 à 10 jours   |   |
| Tomates*                              | e <sup>+</sup> | 1 à 3 semaines |   |
| <b>ŒUFS ET CHARCUTERIE</b>            |                |                |   |
| Œufs (frais)                          |                | 3 semaines     | Il n'est pas recommandé de congeler les œufs et la charcuterie. |
| Succédané d'œuf (ouvert)              |                | 3 jours        |   |
| Salade aux œufs, de thon ou de jambon |                | 3 à 5 jours    |   |
| Viandes froides, tranchées minces     |                | 1 à 2 jours    |   |

\*Ne pas réfrigérer. <sup>†</sup>Faire mûrir sur le comptoir avant de réfrigérer.

| ALIMENT  | CODE E | RÉFRIGÉRATEUR  | CONGÉLATEUR    |
|--|--------|----------------|----------------|
| <b>SOUPE</b>                                   |        |                |                |
| Ragoût avec viande                             |        | 3 à 4 jours    | 2 à 3 mois     |
| Soupe aux légumes                              |        | 3 à 4 jours    | 2 à 3 mois     |
| <b>VIANDES, POISSONS ET VOLAILLES</b>          |        |                |                |
| Bacon  |        | 7 jours        | 1 mois         |
| Steaks, rôti de bœuf                           |        | 3 à 5 jours    | 6 à 12 mois    |
| Morue noire, perche                            |        | 2 jours        | 2 à 3 mois     |
| Bœuf salé                                      |        | 5 à 7 jours    | 1 mois         |
| Jambon (entier)                                |        | 7 jours        | 1 à 2 mois     |
| Hamburger                                      |        | 1 à 2 jours    | 3 à 4 mois     |
| Plats de viande (cuite)                        |        | 3 à 4 jours    | 2 à 3 mois     |
| Porc et côtelettes de porc                     |        | 3 à 5 jours    | 4 à 6 mois     |
| Volaille (cuite)                               |        | 3 à 4 jours    | 4 à 6 mois     |
| Volaille (crue)                                |        | 1 à 2 jours    | 9 mois         |
| Saumon, maquereau                              |        | 4 jours        | 5 à 9 mois     |
| Saucisse (crue)                                |        | 1 à 2 jours    | 1 à 2 mois     |
| Crevettes                                      |        | 1 jour         | 6 mois         |
| Saucisses, galettes fumées pour petit-déjeuner |        | 7 jours        | 1 à 2 mois     |
| <b>PRODUITS LAITIERS</b>                       |        |                |                |
| Beurre   |        | 3 mois         | 1 an           |
| Fromage cottage                                |        | 1 à 2 semaines | 4 semaines     |
| Fromage en crème                               |        | 2 semaines     | Pas recommandé |
| Fromage fondu                                  |        | 3 à 4 semaines | 6 à 8 mois     |
| Lait entier ou écrémé                          |        | 1 à 2 semaines | Pas recommandé |
| Yaourt   |        | 1 mois         | Pas recommandé |

## Nettoyage

### EXTÉRIEUR EN ACIER INOXYDABLE

Utilisez un nettoyant non abrasif pour l'acier inoxydable et appliquez-le avec un chiffon doux non pelucheux. Pour faire ressortir le lustre naturel, essuyez légèrement la surface avec un chiffon en microfibres humecté d'eau suivi d'un chamois à polir sec. Suivez toujours le grain de l'acier inoxydable.

### NETTOYAGE INTÉRIEUR

Pour nettoyer les surfaces intérieures et toutes les pièces amovibles, lavez avec une solution douce de savon, d'eau et de bicarbonate de soude. Rincez et séchez à fond. Évitez de mettre de l'eau sur les lumières et le panneau de commande.

#### ⚠ MISE EN GARDE

**N'utilisez pas du vinaigre, de l'alcool à friction ou d'autres nettoyants à base d'alcool sur toute surface intérieure.**

### VACANCES

Pour des vacances prolongées, coupez l'alimentation sur le panneau de commande. Videz l'unité et bloquez les portes en position légèrement ouverte pour laisser de l'air frais circuler et garder l'intérieur sec. Le filtre à eau doit être remplacé avant la mise en marche.

### NETTOYAGE DU CONDENSATEUR

#### ⚠ MISE EN GARDE

**Avant de nettoyer le condensateur, coupez l'alimentation sur le panneau de commande. Portez des gants pour éviter toute blessure causée par les ailettes tranchantes du condensateur.**

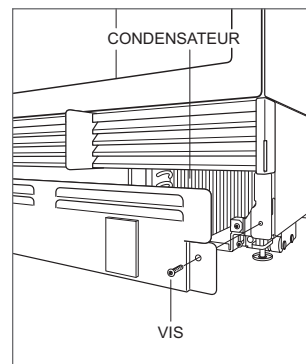
Le condensateur est situé derrière la plaque de protection. Nettoyez le condensateur tous les six à douze mois.

#### Pour nettoyer le condensateur :

- 1 Éteignez l'unité sur le panneau de commande.
- 2 Retirez la plaque de protection en enlevant les deux vis de montage. Reportez-vous à l'illustration ci-dessous.
- 3 Utilisez une brosse à soie souple et un aspirateur pour éliminer la poussière et les peluches de la zone du condensateur.

#### ⚠ MISE EN GARDE

**L'omission de nettoyer le condensateur pourrait entraîner une perte de température, une défaillance mécanique ou des dommages.**



Emplacement du condensateur

## Dépannage

Avant de contacter le service certifié d'usine de Sub-Zero, visitez le site [subzero-wolf.com/assistance](http://subzero-wolf.com/assistance) ou utilisez ces conseils utiles pour éviter d'avoir besoin d'une visite de service.

### FONCTIONNEMENT DE L'UNITÉ

#### Pas de lumière ou de refroidissement.

- 1 Assurez-vous que l'unité est sous tension.
- 2 Vérifiez l'alimentation électrique vers l'unité et que le disjoncteur de la résidence est en marche.

#### Pas de lumière dans le réfrigérateur ou le congélateur.

- 1 La porte/le tiroir peuvent avoir été laissés entrouverts, ce qui a désactivé les lumières pour éliminer l'excédent de chaleur. Si les lumières sont éteintes, fermez la porte/le tiroir pendant une heure. Si les lumières sont toujours éteintes, communiquez avec le service certifié par l'usine Sub-Zero.
- 2 L'éclairage intérieur à DEL doit être remplacé par le service certifié par l'usine Sub-Zero.

#### Pas de lumière sur les tablettes du réfrigérateur.

- 1 Vérifiez que la tablette est bien installée dans les pistes le long de la paroi arrière.
- 2 Confirmez qu'il n'y a rien (un grand récipient ou un aliment) qui empêche la tablette de s'enclencher dans les pistes le long de la paroi arrière.

#### Givre, condensation ou accumulation de glace à l'intérieur de l'unité.

- 1 Vérifiez que le condensateur est propre.
- 2 Vérifiez que la porte/le tiroir sont fermés correctement.
- 3 Vérifiez que la porte/le tiroir n'ont pas été laissés entrouverts.
- 4 Vérifiez que le joint de la porte/du tiroir n'a pas de coupures ou déchirures. Le cas échéant, communiquez avec le service certifié par l'usine Sub-Zero.
- 5 Si le glaçage est épais, éteignez l'appareil et utilisez un sèche-cheveux pour faire fondre la glace. Le sèche-cheveux doit être réglé sur faible et en mouvement constamment. Une fois la glace fondue, essuyez l'eau avec un chiffon ou une serviette en papier.

#### Températures élevées, l'unité fonctionne de façon excessive ou l'unité émet trop de chaleur.

- 1 Vérifiez que le condensateur est propre.
- 2 Vérifiez que la porte/le tiroir sont fermés correctement.
- 3 Vérifiez que la porte/le tiroir n'ont pas été laissés entrouverts.
- 4 Des températures ambiantes élevées peuvent faire fonctionner le compresseur plus longtemps.
- 5 Si l'affichage de température indique 38° et 0°, mais ne se refroidit pas, l'unité peut se trouver en mode de salle d'exposition. Communiquez avec le service à la clientèle de Sub-Zero au 800-222-7820.

#### L'eau ne s'écoule pas du distributeur.

- 1 Attendez une heure, puis essayez le distributeur à nouveau. Communiquez avec le service à la clientèle de Sub-Zero au 800-222-7820 si cela ne résout pas le problème.

## Dépannage

### PRODUCTION DE GLAÇONS

#### Pas de glace.

- 1 Vérifiez que l'indicateur de glaçons apparaît sur l'écran du panneau de commande.
- 2 Vérifiez que la machine à glaçons est en marche depuis au moins 24 heures.
- 3 Vérifiez que la température du congélateur se trouve près de 0 °F.
- 4 Vérifiez que le bac à glaçons est correctement installé.
- 5 Vérifiez que le bras de la machine à glaçons est en position abaissée.
- 6 Vérifiez que de l'eau est alimentée vers l'unité.
- 7 Vérifiez que le filtre à eau a été remplacé au cours des douze derniers mois et qu'il est correctement installé.
- 8 Vérifiez que le filtre à eau a été retiré si un système de filtration à osmose inverse est utilisé.

#### Les glaçons sont bleus ou verts.

- 1 Possibilité de corrosion de la conduite d'alimentation en cuivre. Communiquez avec un plombier pour la faire nettoyer ou remplacer.

#### Flocons noirs dans les glaçons.

- 1 Cessez d'utiliser et communiquez avec le service certifié par l'usine Sub-Zero.

#### Mauvais goût.

- 1 Décongelez le congélateur et nettoyez avec de l'eau et du savon.
- 2 Placez des marcs de café ou des briquettes de charbon dans le congélateur pour absorber l'odeur.

#### Glaçons creux.

- 1 Nettoyez le condensateur. Communiquez avec le service certifié par l'usine Sub-Zero si cela ne corrige pas le problème.

### ODEUR

- 1 L'unité doit être nettoyée avant de l'utiliser la première fois. Cela éliminera les odeurs qui ont pu être captées lors de l'expédition.
- 2 Remplacez la cartouche de purification d'air.
- 3 Nettoyez l'unité et les tablettes à fond.
- 4 Des aliments non couverts peuvent dégager une odeur qui peut nécessiter un nettoyage.

## Service

- Préservez la qualité intégrée dans votre produit en communiquant avec un service certifié par l'usine Sub-Zero. Pour obtenir le nom du centre de service Sub-Zero certifié par l'usine le plus près de chez vous, consultez la section Assistance produits de notre site Web, [subzero.com](http://subzero.com) ou appelez le service à la clientèle de Sub-Zero au 800.222.7820.
- Avant d'appeler pour obtenir du service, ayez en main les numéros de modèle et de série de votre unité. Les deux numéros sont indiqués sur la plaque signalétique du produit. Reportez-vous aux pages 6 et 7 pour connaître l'emplacement de la plaque signalétique.
- Pour les besoins de la garantie, vous devrez aussi avoir la date d'installation et le nom de votre dépositaire Sub-Zero autorisé. Ces renseignements doivent être notés à la page 3.

## Garantie limitée résidentielle Sub-Zero

### POUR UTILISATION RÉSIDENIELLE

#### GARANTIE COMPLÈTE DE DEUX ANS\*

Pendant deux ans à compter de la date d'installation originale, cette garantie de produit Sub-Zero couvre toutes les pièces et la main-d'œuvre pour réparer ou remplacer, selon un usage résidentiel normal, toute partie du produit qui s'avérerait défectueuse en vertu des matériaux ou de la fabrication. Le service fourni par Sub-Zero en vertu de la garantie ci-dessus doit être effectué par un centre de service Sub-Zero certifié par l'usine, à moins d'être précisé autrement par Sub-Zero, Inc. Le service sera fourni pendant les heures normales d'ouverture.

#### GARANTIE COMPLÈTE DE CINQ ANS SUR LE SYSTÈME SCELLÉ

Pendant cinq ans à compter de la date d'installation originale, cette garantie de produit Sub-Zero couvrira toutes les pièces et la main-d'œuvre pour réparer ou remplacer, selon un usage résidentiel normal, les pièces qui s'avéreraient défectueuses en vertu des matériaux ou de la fabrication : le compresseur, le condensateur, l'évaporateur, le déshydrateur et toute la tuyauterie de connexion. Le service fourni par Sub-Zero en vertu de la garantie ci-dessus doit être effectué par un centre de service Sub-Zero certifié par l'usine, à moins d'être précisé autrement par Sub-Zero, Inc. Le service sera fourni pendant les heures normales d'ouverture.

#### GARANTIE LIMITÉE DE DOUZE ANS SUR LE SYSTÈME SCELLÉ

Pendant douze ans à compter de la date originale d'installation, Sub-Zero réparera ou remplacera les pièces suivantes qui s'avéreront défectueuses en vertu des matériaux ou de la fabrication : le compresseur, le condensateur, l'évaporateur, le déshydrateur et toute la tuyauterie de connexion. Si le propriétaire utilise le service Sub-Zero certifié en usine, le fournisseur de service réparera ou remplacera ces pièces et le propriétaire paiera pour tous les autres frais, y compris la main-d'œuvre. Si le propriétaire utilise un service non certifié, il doit communiquer avec Sub-Zero, Inc. (avec les renseignements ci-dessous) pour obtenir des pièces réparées ou de rechange. Sub-Zero ne remboursera pas le propriétaire pour les pièces achetées d'un service non certifié ou d'autres sources.

#### CONDITIONS S'APPLIQUANT À CHAQUE GARANTIE

La garantie s'applique uniquement aux produits installés pour un usage résidentiel normal. La garantie s'applique seulement aux produits installés dans l'un des cinquante états des États-Unis, dans le District of Columbia ou les dix provinces du Canada. Cette garantie ne couvre pas les pièces ou la main-d'œuvre pour corriger tout défaut causé par de la négligence, un accident ou une utilisation, un entretien, une installation, un service ou une réparation inappropriés.

**LES REMÈDES DÉCRITS CI-DESSUS POUR CHAQUE GARANTIE SONT LES SEULS QUI SONT OFFERTS PAR SUB-ZERO, INC. EN VERTU DE CETTE GARANTIE OU EN VERTU DE TOUTE GARANTIE DÉCOULANT DE L'OPÉRATION DE LA LOI. SUB-ZERO, INC. NE SERA PAS RESPONSABLE DES DOMMAGES INDIRECTS OU CONSÉCUTIFS DÉCOULANT DE LA VIOLATION À CETTE GARANTIE OU À TOUTE GARANTIE, EXPRESSE, IMPLICITE OU LÉGALE.**

Certaines provinces ne permettent pas l'exclusion ou la restriction des dommages indirects ou consécutifs, par conséquent, la limite ou l'exclusion ci-dessus peut ne pas s'appliquer à votre cas. Cette garantie vous confère des droits légaux précis et vous pouvez aussi avoir d'autres droits légaux qui peuvent varier d'une province à l'autre.

Pour obtenir des pièces ou du service et le nom du centre de service Sub-Zero certifié par l'usine le plus près de chez vous, communiquez avec Sub-Zero, Inc., P.O. Box 44848, Madison, WI 53744 É.-U.; consultez la section Assistance produits de notre site Web, [subzero.com](http://subzero.com), envoyez-nous un courriel à [customerservice@subzero.com](mailto:customerservice@subzero.com) ou composez le 800-222-7820.

\*L'acier inoxydable (les portes, les panneaux, les poignées, les cadres et les surfaces intérieures) est couvert par une garantie limitée de 60 jours sur les pièces et la main-d'œuvre pour toute défectuosité cosmétique.

\*Les cartouches du filtre à eau et de purification d'air de rechange ne sont pas couvertes par la garantie du produit.



## Garantie limitée pour l'extérieur de Sub-Zero\*

### POUR UTILISATION RÉSIDENIELLE

#### GARANTIE COMPLÈTE D'UN AN\*\*

Pendant un an à compter de la date d'installation originale, cette garantie de produit Sub-Zero couvre toutes les pièces et la main-d'œuvre pour réparer ou remplacer, selon un usage résidentiel normal, toute partie du produit qui s'avérerait défectueuse en vertu des matériaux ou de la fabrication. Le service fourni par Sub-Zero en vertu de la garantie ci-dessus doit être effectué par un centre de service Sub-Zero certifié par l'usine, à moins d'être précisé autrement par Sub-Zero, Inc. Le service sera fourni pendant les heures normales d'ouverture.

#### GARANTIE COMPLÈTE DE CINQ ANS SUR LE SYSTÈME SCELLÉ

Pendant cinq ans à compter de la date d'installation originale, cette garantie de produit Sub-Zero couvrira toutes les pièces et la main-d'œuvre pour réparer ou remplacer, selon un usage résidentiel normal, les pièces qui s'avèreraient défectueuses en vertu des matériaux ou de la fabrication : le compresseur, le condensateur, l'évaporateur, le déshydrateur et toute la tuyauterie de connexion. Le service fourni par Sub-Zero en vertu de la garantie ci-dessus doit être effectué par un centre de service Sub-Zero certifié par l'usine, à moins d'être précisé autrement par Sub-Zero, Inc. Le service sera fourni pendant les heures normales d'ouverture.

#### CONDITIONS S'APPLIQUANT À CHAQUE GARANTIE

La garantie s'applique uniquement aux produits installés pour un usage résidentiel normal. La garantie s'applique seulement aux produits installés dans l'un des cinquante états des États-Unis, dans le District of Columbia ou les dix provinces du Canada. Cette garantie ne couvre pas les pièces ou la main-d'œuvre pour corriger tout défaut causé par de la négligence, un accident ou une utilisation, un entretien, une installation, un service ou une réparation inappropriés.

**LES REMÈDES DÉCRITS CI-DESSUS POUR CHAQUE GARANTIE SONT LES SEULS QUI SONT OFFERTS PAR SUB-ZERO, INC. EN VERTU DE CETTE GARANTIE OU EN VERTU DE TOUTE GARANTIE DÉCOULANT DE L'OPÉRATION DE LA LOI. SUB-ZERO, INC. NE SERA PAS RESPONSABLE DES DOMMAGES INDIRECTS OU CONSÉCUTIFS DÉCOULANT DE LA VIOLATION À CETTE GARANTIE OU À TOUTE GARANTIE, EXPRESSE, IMPLICITE OU LÉGALE.**

Certaines provinces ne permettent pas l'exclusion ou la restriction des dommages indirects ou consécutifs, par conséquent, la limite ou l'exclusion ci-dessus peut ne pas s'appliquer à votre cas. Cette garantie vous confère des droits légaux précis et vous pouvez aussi avoir d'autres droits légaux qui peuvent varier d'une province à l'autre.

Pour obtenir des pièces ou du service et le nom du centre de service Sub-Zero certifié par l'usine le plus près de chez vous, communiquez avec Sub-Zero, Inc., P.O. Box 44848, Madison, WI 53744 É.-U.; consultez la section Assistance produits de notre site Web, [subzero.com](http://subzero.com), envoyez-nous un courriel à [customerservice@subzero.com](mailto:customerservice@subzero.com) ou composez le 800-222-7820.

\*Le produit doit être approuvé pour utilisation à l'extérieur, désigné par le numéro de modèle et de série.

\*\*L'acier inoxydable (les portes, les panneaux, les poignées, les cadres et les surfaces intérieures) est couvert par une garantie limitée de 60 jours sur les pièces et la main-d'œuvre pour toute défectuosité cosmétique.

\*\*Les filtres à eau de rechange ne sont pas couverts par la garantie du produit.





SUB-ZERO, INC. P.O. BOX 44848 MADISON, WI 53744 SUBZERO.COM 800.222.7820

06/2024